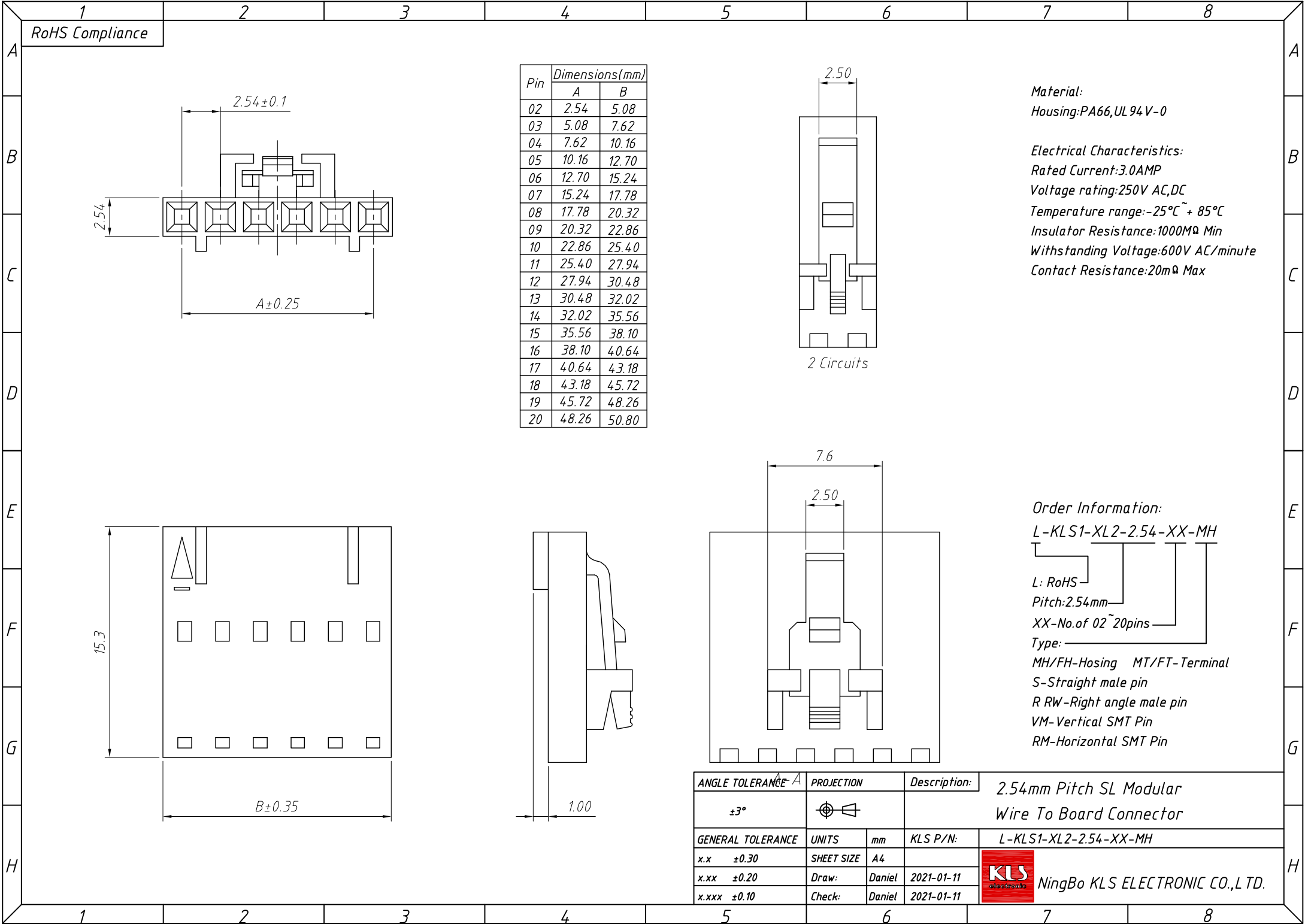


1  
RoHS Compliance



Pin	Dimensions(mm)	
	A	B
02	2.54	5.08
03	5.08	7.62
04	7.62	10.16
05	10.16	12.70
06	12.70	15.24
07	15.24	17.78
08	17.78	20.32
09	20.32	22.86
10	22.86	25.40
11	25.40	27.94
12	27.94	30.48
13	30.48	32.02
14	32.02	35.56
15	35.56	38.10
16	38.10	40.64
17	40.64	43.18
18	43.18	45.72
19	45.72	48.26
20	48.26	50.80

Material:  
Housing:PA66,UL 94V-0

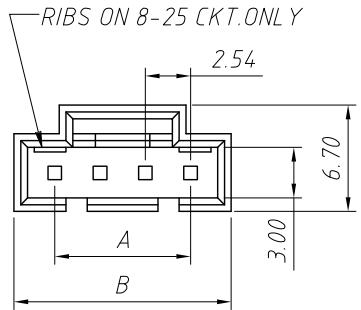
Electrical Characteristics:  
Rated Current:3.0AMP  
Voltage rating:250V AC,DC  
Temperature range:-25°C ~ + 85°C  
Insulator Resistance:1000MΩ Min  
Withstanding Voltage:600V AC/minute  
Contact Resistance:20mΩ Max

Order Information:  
L-KLS1-XL2-2.54-XX-MH

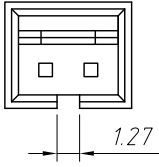
L: RoHS  
Pitch:2.54mm  
XX-No. of 02~20pins  
Type: \_\_\_\_\_  
MH/FH-Hosing MT/FT-Terminal  
S-Straight male pin  
R RW-Right angle male pin  
VM-Vertical SMT Pin  
RM-Horizontal SMT Pin

ANGLE TOLERANCE	A	PROJECTION	Description:	2.54mm Pitch SL Modular Wire To Board Connector
±3°				
GENERAL TOLERANCE	UNITS	mm	KLS P/N:	L-KLS1-XL2-2.54-XX-MH
x.x ±0.30	SHEET SIZE	A4		
x.xx ±0.20	Draw:	Daniel	2021-01-11	NingBo KLS ELECTRONIC CO.,L TD.
x.xxx ±0.10	Check:	Daniel	2021-01-11	

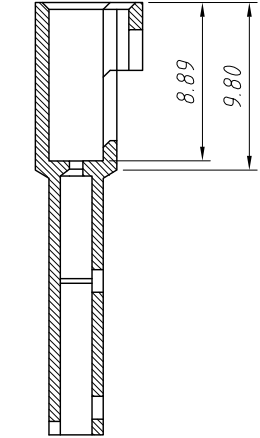
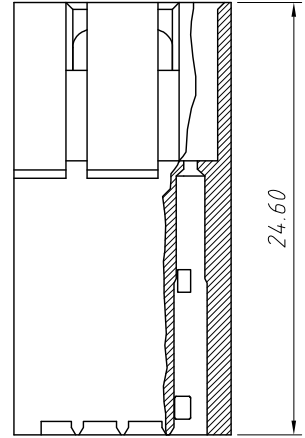
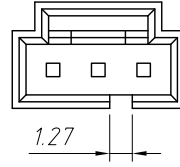
1  
RoHS Compliance



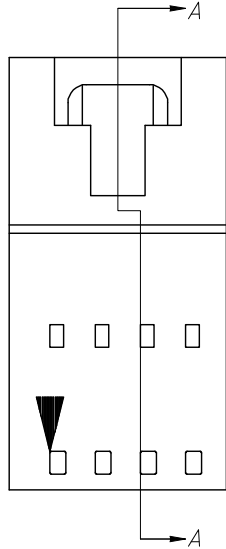
2 CIRCUIT



3 CIRCUIT



SECTION A-A



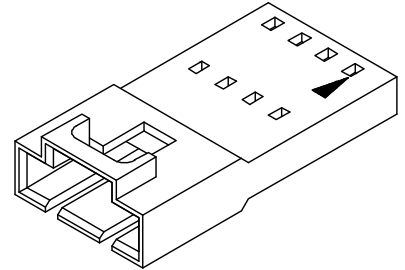
Pin	Dimensions(mm)	
	A	B
02	2.54	7.32
03	5.08	9.86
04	7.62	12.40
05	10.16	14.94
06	12.70	17.48
07	15.24	20.02
08	17.78	22.56
09	20.32	25.10
10	22.86	27.64
11	25.40	29.48
12	27.94	32.72
13	30.48	35.26
14	32.02	37.80
15	35.56	40.34
16	38.10	42.88
17	40.64	45.42
18	43.18	47.96
19	45.72	50.50
20	48.26	53.04

**Material:**  
Housing:PA66,UL 94 V-0,Black

**Electrical Characteristics:**  
Rated Current:3.0AMP  
Voltage rating:250V AC,DC  
Temperature range:-25°C ~ + 85°C  
Insulator Resistance:1000MΩ Min  
Withstanding Voltage:600V AC/minute  
Contact Resistance:20mΩ Max

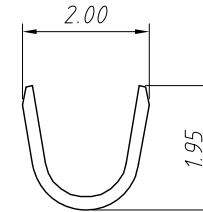
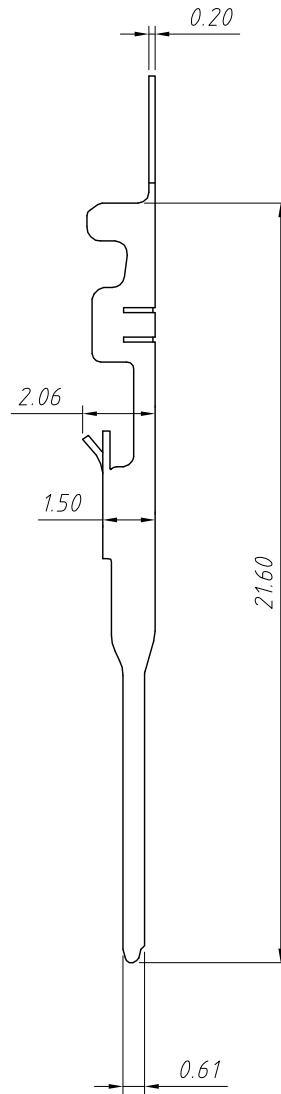
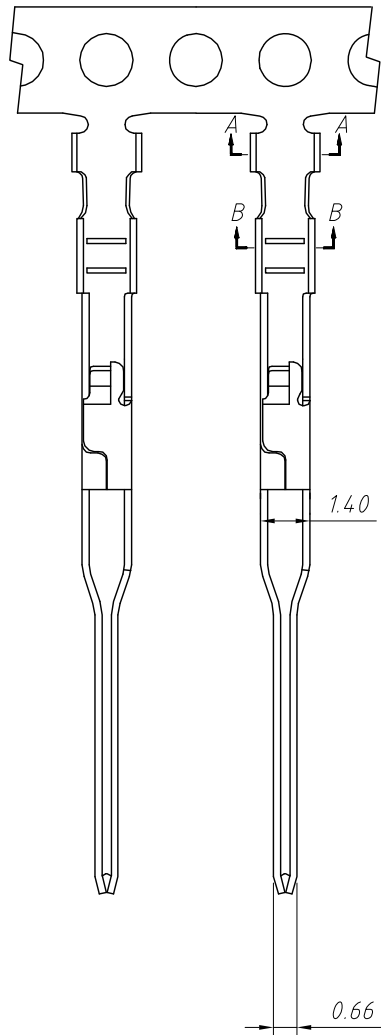
**Order Information:**  
L-KLS1-XL2-2.54-XX-FH

L: RoHS  
Pitch:2.54mm  
XX-No.of 02~20pins  
Type: \_\_\_\_\_  
MH/FH-Hosing MT/FT-Terminal  
S-Straight male pin  
R RW-Right angle male pin  
VM-Vertical SMT Pin  
RM-Horizontal SMT Pin

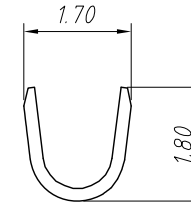


ANGLE TOLERANCE	A	PROJECTION	Description:	2.54mm Pitch SL Modular Wire To Board Connector
±3°				
GENERAL TOLERANCE	UNITS	mm	KLS P/N:	L-KLS1-XL2-2.54-XX-FH
x.x ±0.30	SHEET SIZE	A4		
x.xx ±0.20	Draw:	Daniel	2021-01-11	NingBo KLS ELECTRONIC CO.,L TD.
x.xxx ±0.10	Check:	Daniel	2021-01-11	

1 RoHS Compliance



SEC: A-A



SEC: B-B

Material:  
 Terminal: Phosphor Bronze  
 Plating: Tin plated over Gold plated  
 Applicable wires: AWG #18 ~ #22  
 Insulation O.D.: 2.10mm  
 Qty/reel: 10000 pcs

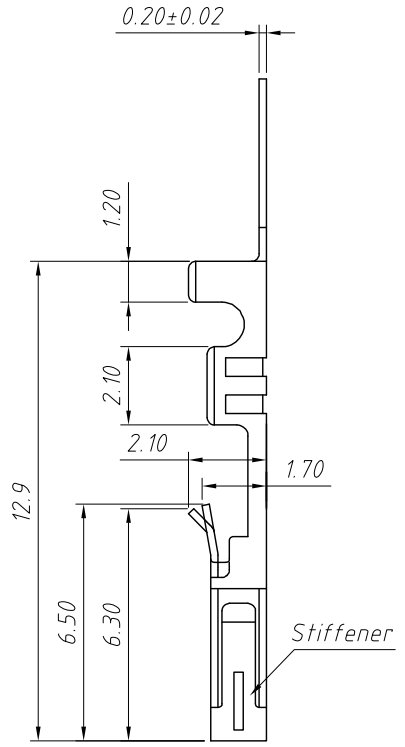
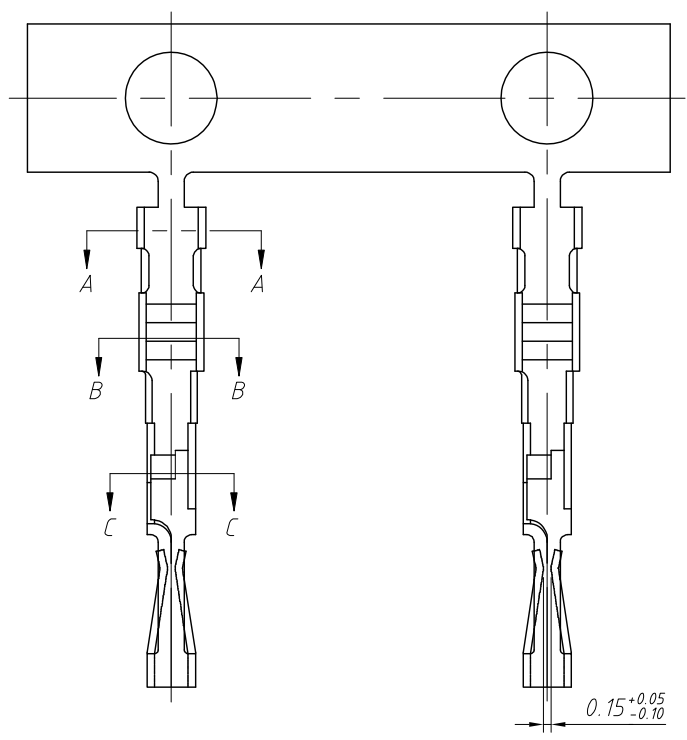
Electrical Characteristics:  
 Rated Current: 3.0AMP  
 Voltage rating: 250V AC, DC  
 Temperature range: -25°C ~ +85°C  
 Insulator Resistance: 1000MΩ Min  
 Withstanding Voltage: 600V AC/minute  
 Contact Resistance: 20mΩ Max

Order Information:  
 L-KLS1-XL2-2.54-MT

L: RoHS  
 Pitch: 2.54mm  
 Type:  
 MH/FH-Hosing MT/FT-Terminal  
 S-Straight male pin  
 R RW-Right angle male pin  
 VM-Vertical SMT Pin  
 RM-Horizontal SMT Pin

ANGLE TOLERANCE	A		PROJECTION	Description:	2.54mm Pitch SL Modular Wire To Board Connector
±3°	⊕				
GENERAL TOLERANCE	UNITS	mm	KLS P/N:	L-KLS1-XL2-2.54-MT	
x.x ±0.30	SHEET SIZE	A4			NingBo KLS ELECTRONIC CO.,L TD.
x.xx ±0.20	Draw:	Daniel	2021-01-11		
x.xxx ±0.10	Check:	Daniel	2021-01-11		

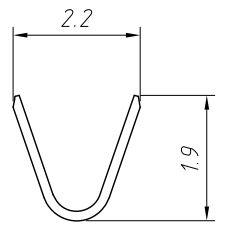
1  
RoHS Compliance



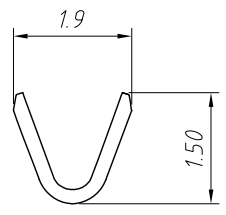
**Material:**  
 Terminal: Phosphor Bronze  
 Plating: Tin plated over Gold plated  
 Applicable wires: AWG #28 ~ # 22  
 Insulation O.D.: 1.6mm  
 Qty/reel: 15000 pcs

**Electrical Characteristics:**  
 Rated Current: 3.0AMP  
 Voltage rating: 250V AC, DC  
 Temperature range: -25°C ~ + 85°C  
 Insulator Resistance: 1000MΩ Min  
 Withstanding Voltage: 600V AC/minute  
 Contact Resistance: 20mΩ Max

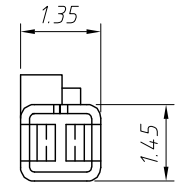
**Order Information:**  
 L-KLS1-XL2-2.54-FT  
 L: RoHS  
 Pitch: 2.54mm  
 Type:  
 MH/FH-Hosing MT/FT-Terminal  
 S-Straight male pin  
 R RW-Right angle male pin  
 VM-Vertical SMT Pin  
 RM-Horizontal SMT Pin



SEC:A-A



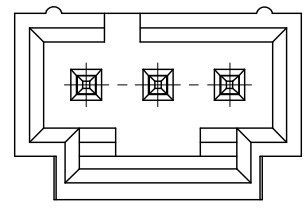
SEC:B-B



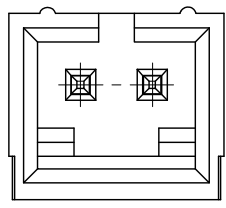
SEC:C-C

ANGLE TOLERANCE	A	PROJECTION	Description:	2.54mm Pitch SL Modular Wire To Board Connector
±3°				
GENERAL TOLERANCE	UNITS	mm	KLS P/N:	L-KLS1-XL2-2.54-FT
x.x ±0.30	SHEET SIZE	A4		
x.xx ±0.20	Draw:	Daniel	2021-01-11	NingBo KLS ELECTRONIC CO.,L TD.
x.xxx ±0.10	Check:	Daniel	2021-01-11	

1  
RoHS Compliance



03P

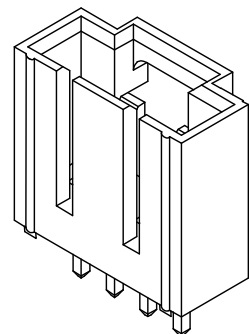
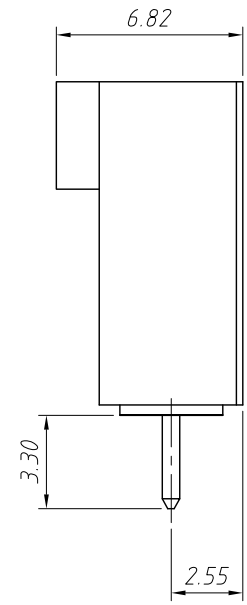
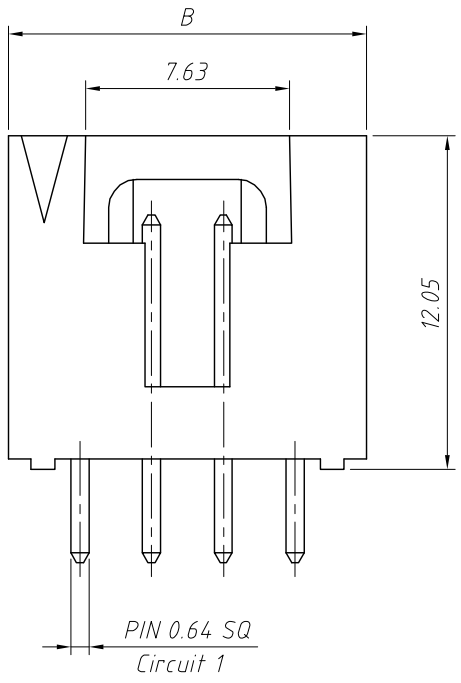
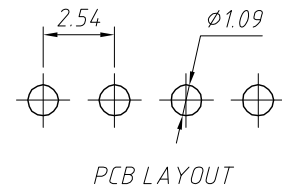
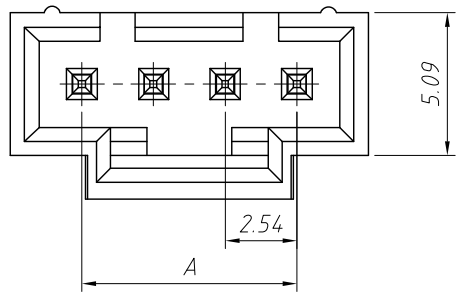


02P

Pin	Dimensions(mm)	
	A	B
02	2.54	7.63
03	5.08	10.17
04	7.62	12.71
05	10.16	15.25
06	12.70	17.79
07	15.24	20.33
08	17.78	22.87
09	20.32	25.41
10	22.86	27.95
11	25.40	30.49
12	27.94	33.03
13	30.48	35.57
14	32.02	38.11
15	35.56	40.65

**Material:**  
Housing: PA66, UL 94 V-0, Balck  
Pin: Brass, Gold plated

**Electrical Characteristics:**  
Rated Current: 3.0AMP  
Voltage rating: 250V AC, DC  
Temperature range: -25°C ~ + 85°C  
Insulator Resistance: 1000MΩ Min  
Withstanding Voltage: 600V AC/minute  
Contact Resistance: 20mΩ Max

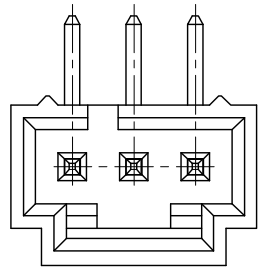


**Order Information:**  
L-KLS1-XL2-2.54-XX-S

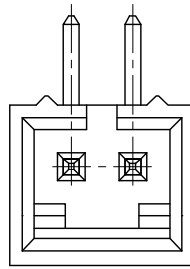
L: RoHS  
Pitch: 2.54mm  
XX-No. of 02~15pins  
Type: MH/FH-Hosing MT/FT-Terminal  
S-Straight male pin  
R RW-Right angle male pin  
VM-Vertical SMT Pin  
RM-Horizontal SMT Pin

ANGLE TOLERANCE	A	PROJECTION	Description:	2.54mm Pitch SL Modular Wire To Board Connector
±3°				
GENERAL TOLERANCE	UNITS	mm	KLS P/N:	L-KLS1-XL2-2.54-XX-S
x.x ±0.30	SHEET SIZE	A4		
x.xx ±0.20	Draw:	Daniel	2021-01-11	NingBo KLS ELECTRONIC CO.,L TD.
x.xxx ±0.10	Check:	Daniel	2021-01-11	

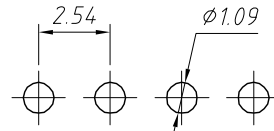
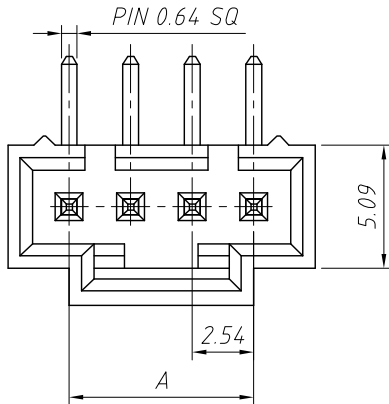
1 RoHS Compliance



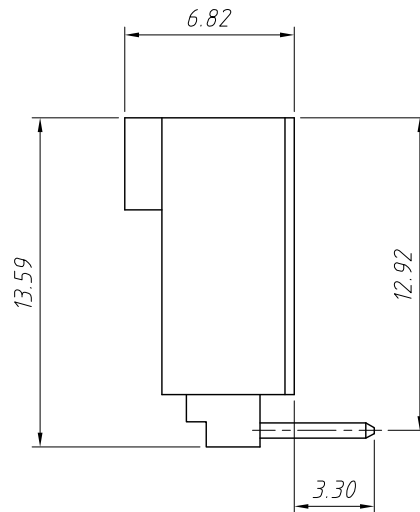
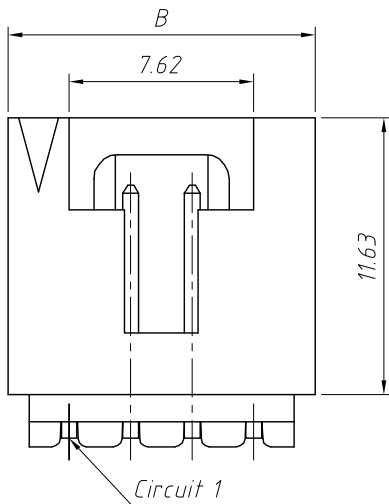
03P



02P



PCB LAYOUT



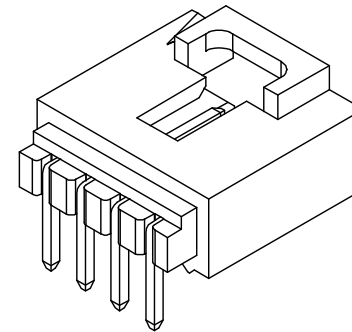
Pin	Dimensions(mm)	
	A	B
02	2.54	7.59
03	5.08	10.13
04	7.62	12.67
05	10.16	15.21
06	12.70	17.75
07	15.24	20.29
08	17.78	22.83
09	20.32	25.37
10	22.86	27.91
11	25.40	30.45
12	27.94	32.99
13	30.48	35.53
14	32.02	38.07
15	35.56	40.61

Material:  
Housing:PA66,UL 94 V-0,Balck  
Pin:Brass,Gold plated

Electrical Characteristics:  
Rated Current:3.0AMP  
Voltage rating:250V AC,DC  
Temperature range:-25°C ~ + 85°C  
Insulator Resistance:1000MΩ Min  
Withstanding Voltage:600V AC/minute  
Contact Resistance:20mΩ Max

Order Information:  
L-KLS1-XL2-2.54-XX-R

L: RoHS  
Pitch:2.54mm  
XX-No.of 02~15pins  
Type:  
MH/FH-Hosing MT/FT-Terminal  
S-Straight male pin  
R RW-Right angle male pin  
VM-Vertical SMT Pin  
RM-Horizontal SMT Pin

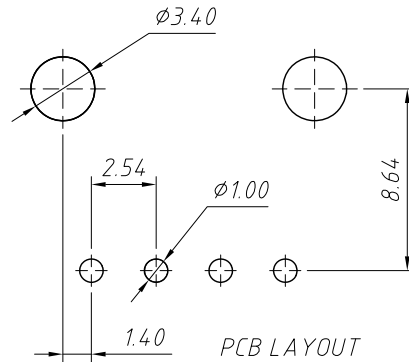
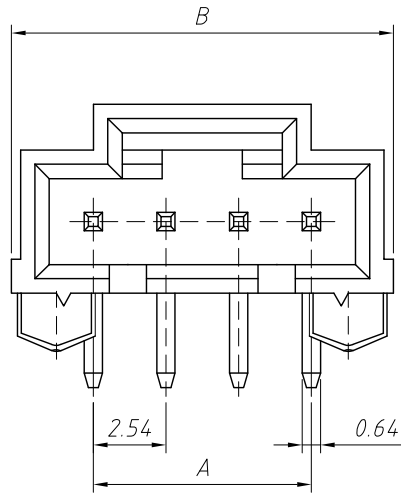


ANGLE TOLERANCE	PROJECTION	Description:	
±3°		2.54mm Pitch SL Modular Wire To Board Connector	
GENERAL TOLERANCE	UNITS	mm	KLS P/N:
x.x ±0.30	SHEET SIZE	A4	L-KLS1-XL2-2.54-XX-R
x.xx ±0.20	Draw:	Daniel	2021-01-11
x.xxx ±0.10	Check:	Daniel	2021-01-11



NingBo KLS ELECTRONIC CO.,L.TD.

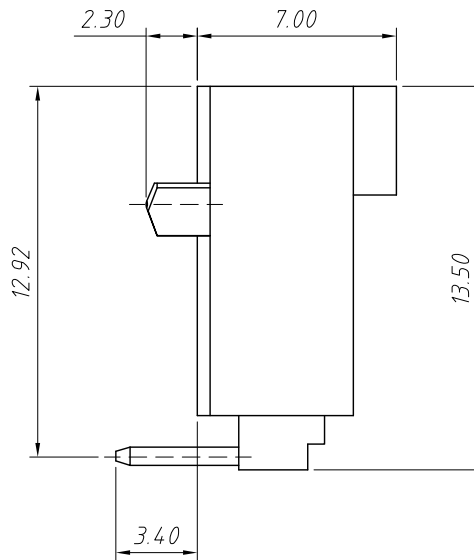
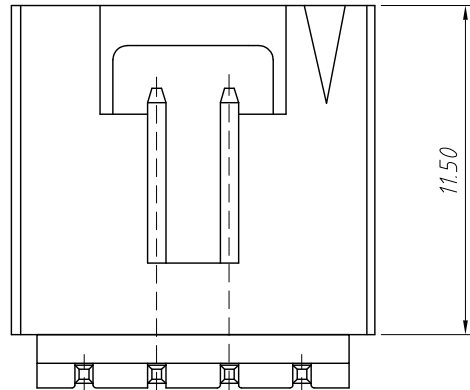
1 RoHS Compliance



Pin	Dimensions(mm)	
	A	B
02	2.54	8.53
03	5.08	11.07
04	7.62	13.61
05	10.16	16.51
06	12.70	18.69
07	15.24	21.23
08	17.78	23.77
09	20.32	26.31
10	22.86	28.85
11	25.40	31.39
12	27.94	33.93
13	30.48	36.47
14	32.02	39.01
15	35.56	41.55

**Material:**  
Housing: PA4 T, UL 94V-0, Balck  
Pin: Brass, Gold plated

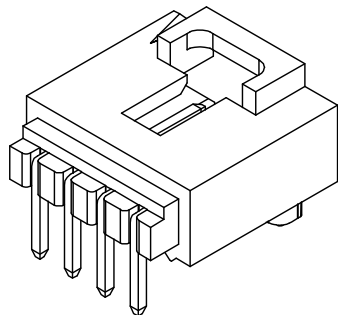
**Electrical Characteristics:**  
Rated Current: 3.0AMP  
Voltage rating: 250V AC, DC  
Temperature range: -25°C ~ +85°C  
Insulator Resistance: 1000MΩ Min  
Withstanding Voltage: 600V AC/minute  
Contact Resistance: 20mΩ Max



**Order Information:**  
L-KLS1-XL2-2.54-XX-RW

L: RoHS  
Pitch: 2.54mm  
XX-No. of 02~15pins  
Type: \_\_\_\_\_

MH/FH-Hosing MT/FT-Terminal  
S-Straight male pin  
R RW-Right angle male pin  
VM-Vertical SMT Pin  
RM-Horizontal SMT Pin

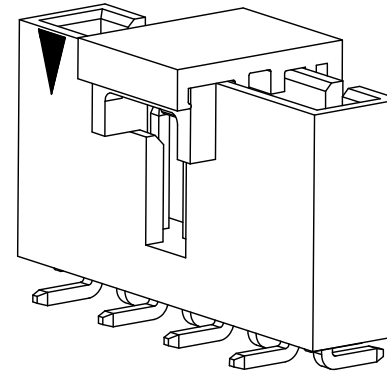
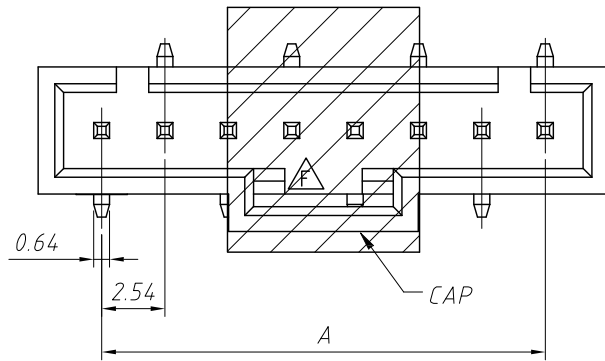


ANGLE TOLERANCE	PROJECTION	Description:	2.54mm Pitch SL Modular Wire To Board Connector
±3°			
GENERAL TOLERANCE	UNITS	mm	KLS P/N:
x.x ±0.30	SHEET SIZE	A4	L-KLS1-XL2-2.54-XX-RW
x.xx ±0.20	Draw:	Daniel	2021-01-11
x.xxx ±0.10	Check:	Daniel	2021-01-11



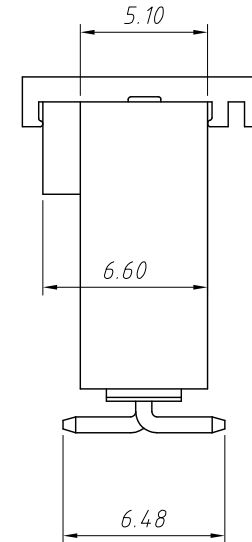
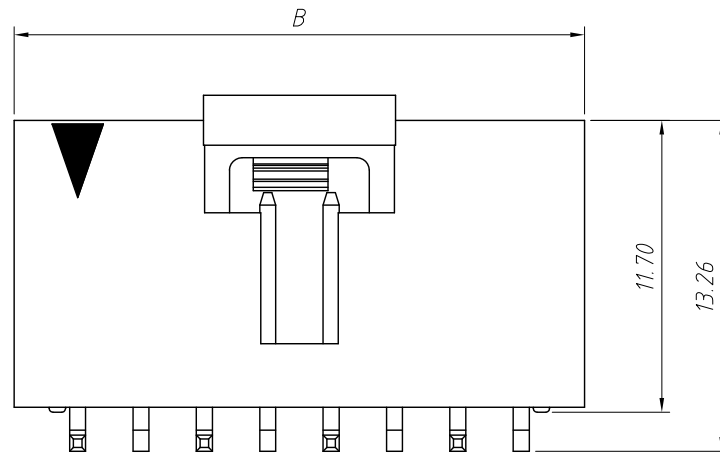
NingBo KLS ELECTRONIC CO.,L TD.

1 RoHS Compliance



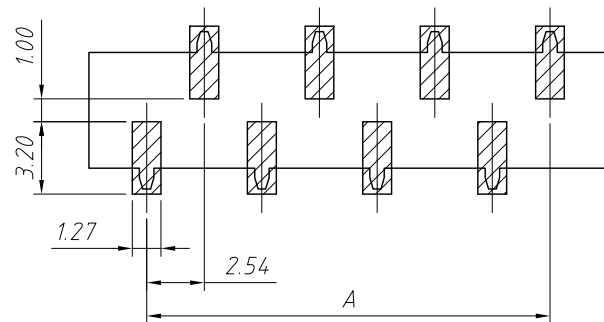
Material:  
 Housing: PA4T, UL 94V-0, Black  
 Pin: Brass, Gold plated or Tin plated

Electrical Characteristics:  
 Rated Current: 3.0AMP  
 Voltage rating: 250V AC, DC  
 Temperature range: -25°C ~ +85°C  
 Insulator Resistance: 1000MΩ Min  
 Withstanding Voltage: 600V AC/minute  
 Contact Resistance: 20mΩ Max



Pin	Dimensions (mm)	
	A	B
02	2.54	7.62
03	5.08	10.16
04	7.62	12.70
05	10.16	15.24
06	12.70	17.78
07	15.24	20.32
08	17.78	22.86
09	20.32	25.40
10	22.86	27.94
11	25.40	30.48
12	27.94	33.02
13	30.48	35.56
14	32.02	38.10
15	35.56	40.64

Order Information:  
 L-KLS1-XL2-2.54-XX-VM  
 L: RoHS  
 Pitch: 2.54mm  
 XX-No. of 02~15pins  
 Type:  
 MH/FH-Housing MT/FT-Terminal  
 S-Straight male pin  
 R RW-Right angle male pin  
 VM-Vertical SMT Pin  
 RM-Horizontal SMT Pin

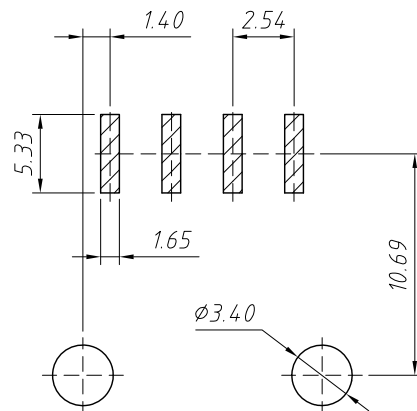
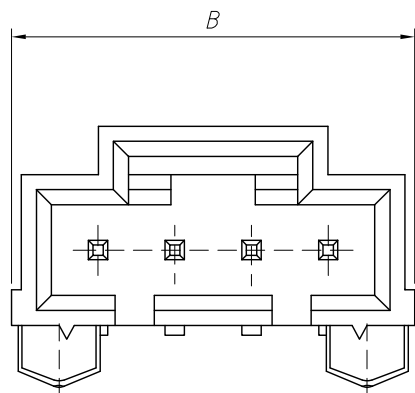


PCB LAYOUT

ANGLE TOLERANCE	A	PROJECTION	Description:	2.54mm Pitch SL Modular Wire To Board Connector
±3°				
GENERAL TOLERANCE	UNITS	mm	KLS P/N:	L-KLS1-XL2-2.54-XX-VM
x.x ±0.30	SHEET SIZE	A4		
x.xx ±0.20	Draw:	Daniel	2021-01-11	NingBo KLS ELECTRONIC CO.,LTD.
x.xxx ±0.10	Check:	Daniel	2021-01-11	



1 RoHS Compliance

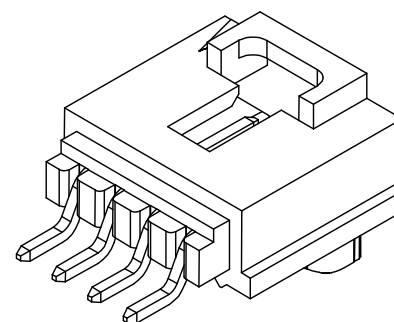
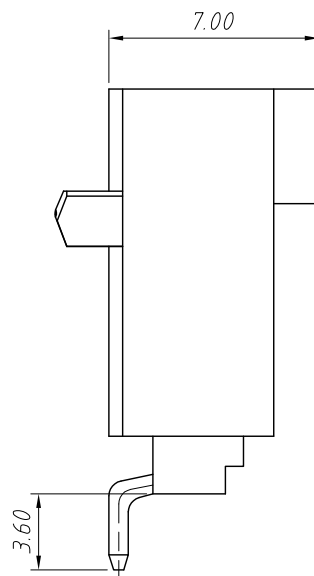
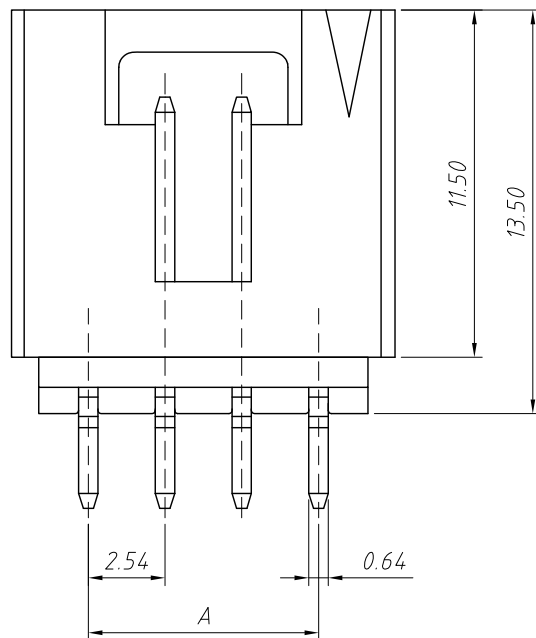


PCB LAYOUT

Pin	Dimensions(mm)	
	A	B
02	2.54	8.53
03	5.08	11.07
04	7.62	13.61
05	10.16	16.51
06	12.70	18.69
07	15.24	21.23
08	17.78	23.77
09	20.32	26.31
10	22.86	28.85
11	25.40	31.39
12	27.94	33.93
13	30.48	36.47
14	32.02	39.01
15	35.56	41.55

Material:  
Housing:PA4T,UL 94V-0,Balck  
Pin:Brass,Gold plated or Tin plated

Electrical Characteristics:  
Rated Current:3.0AMP  
Voltage rating:250V AC,DC  
Temperature range:-25°C ~ + 85°C  
Insulator Resistance:1000MΩ Min  
Withstanding Voltage:600V AC/minute  
Contact Resistance:20mΩ Max



Order Information:

L-KLS1-XL2-2.54-XX-RM

L: RoHS  
Pitch:2.54mm  
XX-No.of 02~15pins  
Type:  
MH/FH-Hosing MT/FT-Terminal  
S-Straight male pin  
R RW-Right angle male pin  
VM-Vertical SMT Pin  
RM-Horizontal SMT Pin

ANGLE TOLERANCE	A	PROJECTION	Description:
±3°			2.54mm Pitch SL Modular Wire To Board Connector
GENERAL TOLERANCE	UNITS	mm	KLS P/N:
x.x ±0.30	SHEET SIZE	A4	L-KLS1-XL2-2.54-XX-RM
x.xx ±0.20	Draw:	Daniel	2021-01-11
x.xxx ±0.10	Check:	Daniel	2021-01-11



NingBo KLS ELECTRONIC CO.,L TD.