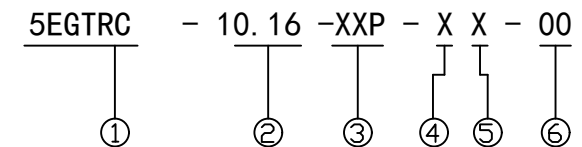


REV	CONTENT	CHK	DATE
V0.0	CONTENT	YL	23.03.17

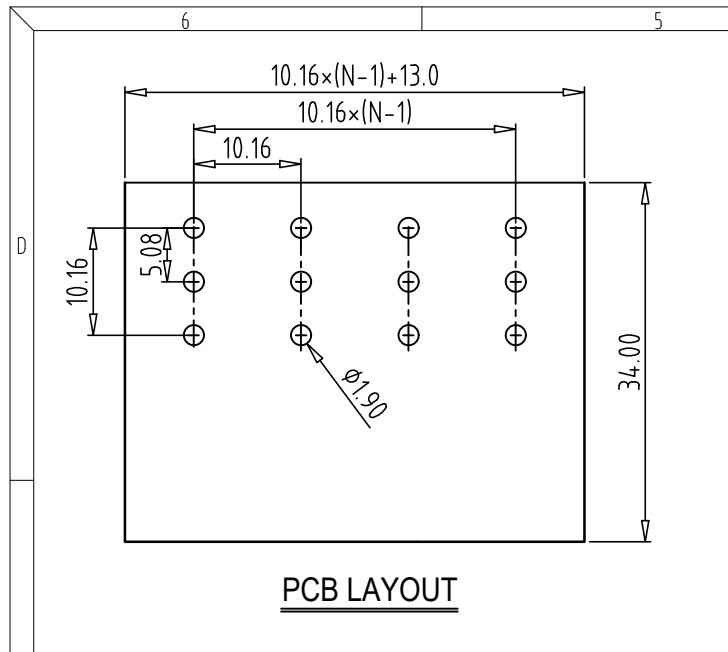
Electrical :

- | | | |
|-----------------------------------------|---------------|------|
| | UL | IEC |
| 1. Rated Voltage : | 600V | 600V |
| 2. Rated Current : | 52A | 57A |
| 3. Withstanding Voltage : | AC2200V/1Min. | |
| 4. Operating Temperature : | -40°C~+105°C | |
| 5. RoHS Compliance | | |
| 6. "★" is the key quality control point | | |

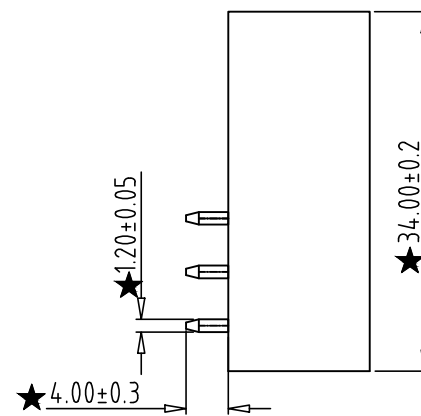
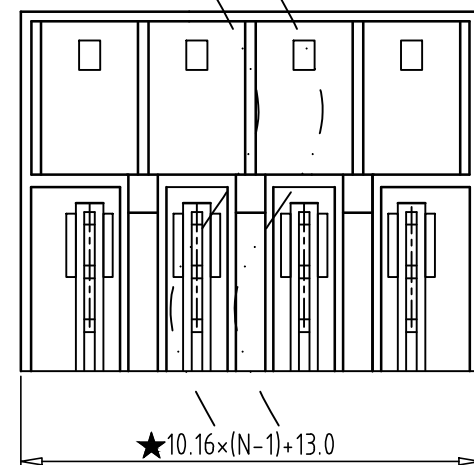
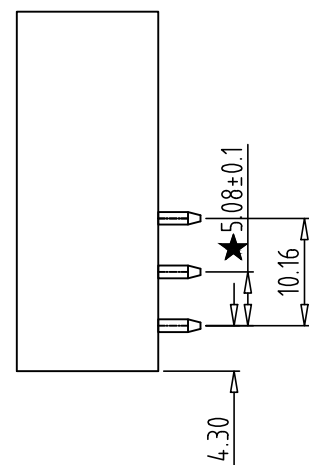
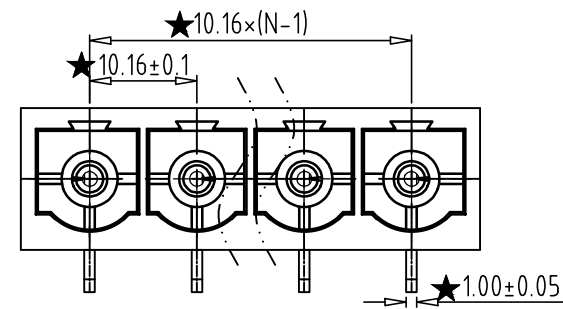


- ① Series NO.
- ② Pitch
- ③ Poles
02 02Contacts
03 03Contacts
...
24 24Contacts
- ④ 1 Single Pitch
2 Double Pitch
- ⑤ Color: 1 Grey
2 Blue
3 Black
4 Green
5 Orange
6 Red
7 Transparent
8 Yellow
9 White
- ⑥ Customer Request: 00--Standard

2	Contact	XX	P	Copper Alloy	Tin Plated
1	HOUSING	XX	1	PA66 UL94V-0	SEE NOTE
ITEM	NAME OF PART	NO. OF PART	Q'TY	MATERIAL	NOTE
DWG.	YL	DATE	23.03.17	SIZE	A4 UNITS mm SHEET/OF 1/1
CHK.	DATE		SCALE	1:1	
APP.	DATE				
NAME			5EGTRC-10.16-XXP-XX-00		
DWGNO.			XXXX		



PCB LAYOUT



Total Pitch Tolerances in mm										Nominal dimension range in mm										⊥	≡	-	//					
over	over	over	over	over	over	over	over	over	over	over	over	over	over	over	over	over	over	over	over	over	over	over	over	over	over	over	over	over
0	30	53	70	90	115	150	250	350	500	0	30	53	70	90	115	150	200	250	320	0	10	all	0	100	150	100	150	150
±0.18	±0.20	±0.25	±0.3	±0.35	±0.44	±0.60	±0.70	±0.85	±0.20	±0.20	±0.25	±0.30	±0.35	±0.44	±0.55	±0.70	±0.80	±0.90	0.2	0.3	0.3	0.3	0.2	0.3	0.5	0.2	0.3	0.5