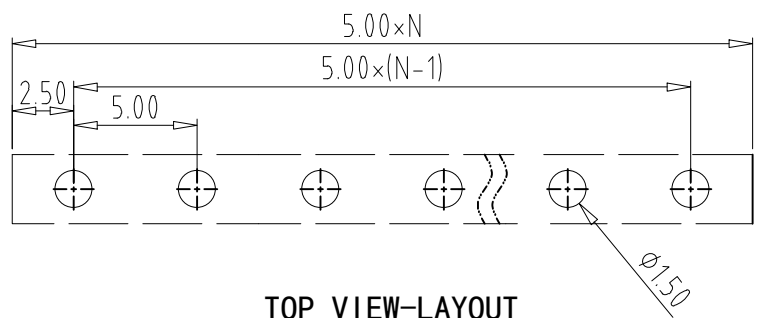
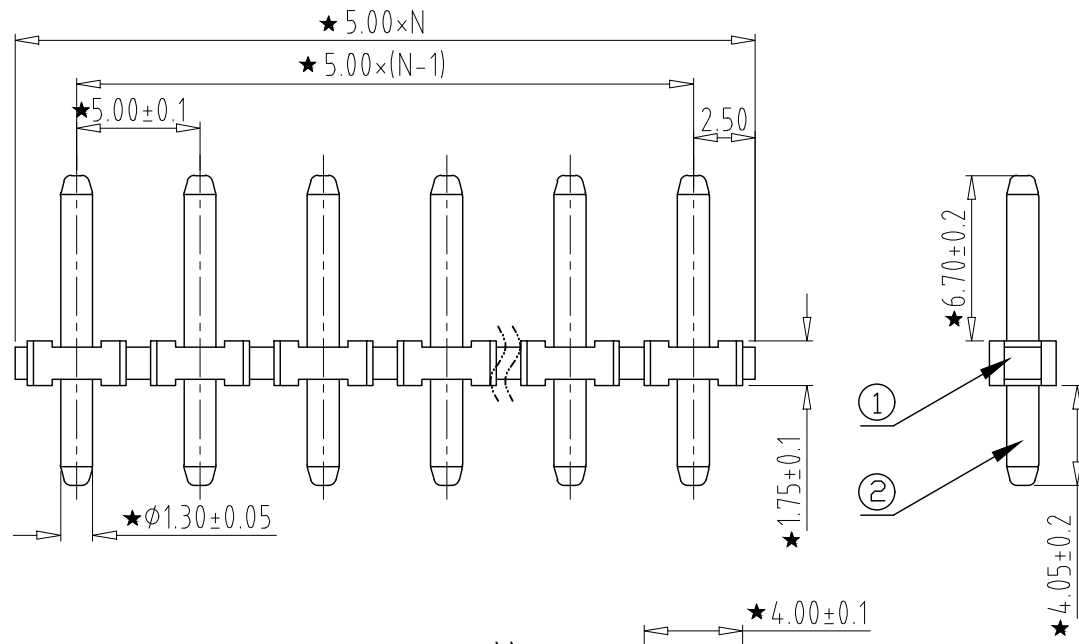


REV	CONTENT	CHK	DATE
VO.0	CONTENT	MYZ	22.07.15



TOP VIEW-LAYOUT



Electrical :

- |   |               |      |
|---|---------------|------|
|   | UL            | IEC  |
| 1. Rated Voltage :                        | 300V          | 250V |
| 2. Rated Current :                        | 15A           | 12A  |
| 6. Withstanding Voltage :                 | AC2000V/1Min. |      |
| 7. Operating Temperature :                | -40°C~+105°C  |      |
| 8. RoHS Compliance                        |               |      |
| 9. Safty Approval :                       | UL CE         |      |
| 10. "★" is the key quality control point. |               |      |

GT332J - 5.0 - XXP - X X - 00

- |   |               |   |  |
|---|---------------|---|--|
| ① | Series No.    | ④ | 1 Single Pitch<br>2 Double Pitch   |
| ② | Pitch         | ⑤ | Color: 1 Grey<br>2 Blue<br>3 Black<br>4 Green<br>5 Orange<br>6 Red<br>7 Transparent<br>8 Yellow<br>9 White |
| ③ | Poles         | ⑥ | Customer Request : 00--Standard  |
|   | 02 02Contacts |   |  |
|   | 03 03Contacts |   |  |
|   | 24 24Contacts |   |  |

2	PIN	XX	P	BRASS	Tin Plated
1	HOUSING	XX	1	PA6T+GF	UL94V-0
ITEM	NAME OF PART	NO. OF PART	Q'TY	MATERIAL	NOTE
DWG.	MYZ	DATE	21.06.29	SIZE	A4 UNITS mm SHEET/OF 1 / 1
CHK.	DATE		SCALE	1:1	
APP.	DATE		NAME	GT332J-5.0-XXP-XX-00	
			DWGNO.	XXXX	

Total Pitch Tolerances in mm										Nominal dimension range in mm										⊥	=	-	//					
over	over	over	over	over	over	over	over	over	over	over	over	over	over	over	over	over	over	over	over	over	0	over	0	over	over	0	100	over
to	to	to	to	to	to	to	to	to	to	to	to	to	to	to	to	to	to	to	to	to	10	all	to	to	150	to	to	150
30	53	70	90	115	150	250	350	500	500	30	53	70	90	115	150	200	250	320	10	0.2	0.3	0.3	0.2	0.3	0.5			
±0.18	±0.20	±0.25	±0.3	±0.35	±0.44	±0.60	±0.70	±0.85	±0.20	±0.25	±0.30	±0.35	±0.44	±0.55	±0.70	±0.80	±0.90	0.2	0.3	0.2	0.3	0.2	0.3	0.5				