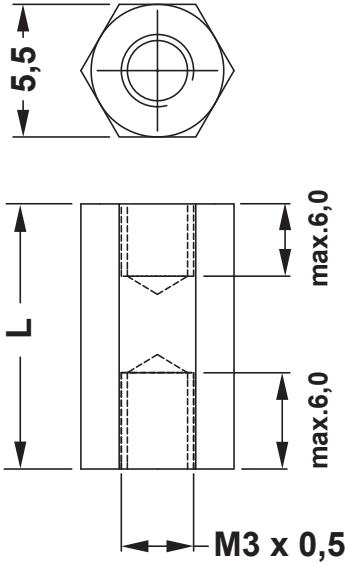


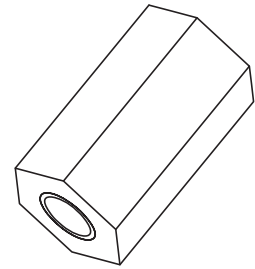
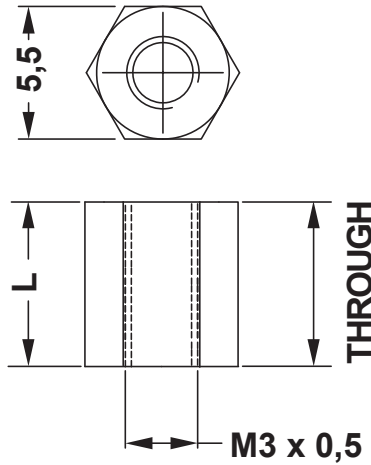
DIM.	TOL.
5mm DOWN	±0.2
5~20mm	±0.3
20~40mm	±0.4
40~60mm	±0.5
60~100mm	±0.8
100mm UP	±1.0

REVISIONS			
REV	DESCRIPTION	DATE	BY

TYPE 2




TYPE 1



P/N	L	TYPE
5660AA00	4,0	1
5661AA00	5,0	1
5662AA00	6,0	1
5663AA00	7,0	1
5664AA00	8,0	1
5665AA00	9,0	1
5666AA00	9,5	1
5667AA00	10,0	1
5668AA00	10,5	1
5669AA00	11,0	1
5670AA00	12,0	1
5671AA00	12,7	1
5672AA00	13,5	2
5673AA00	14,0	2
5674AA00	15,0	2

P/N	L	TYPE
5675AA00	16,0	2
5676AA00	17,0	2
5677AA00	18,0	2
5678AA00	19,0	2
5679AA00	20,0	2
5680AA00	22,0	2
5681AA00	25,0	2
5682AA00	27,0	2
5683AA00	30,0	2
5684AA00	32,0	2
5685AA00	38,0	2
5686AA00	40,0	2
5687AA00	42,0	2
5689AA00	45,0	2
5690AA00	49,0	2

		TITLE HEXAGONAL METRIC THREADED SPACERS	
		MATERIAL PA66 V2(UL94)	DATE 28/02/2020
PART NUMBER SEE TABLE		DRAWING NUMBER 20.02.28.XXXX.0.E	
DRAWN R.F.		COLOR NATURAL	CHECK
SIZE A4	SCALE NTS	UNIT mm.	REV A
UNLESS OTHERWISE SPECIFIED TOLERANCE SEE ABOVE		APPROVED	