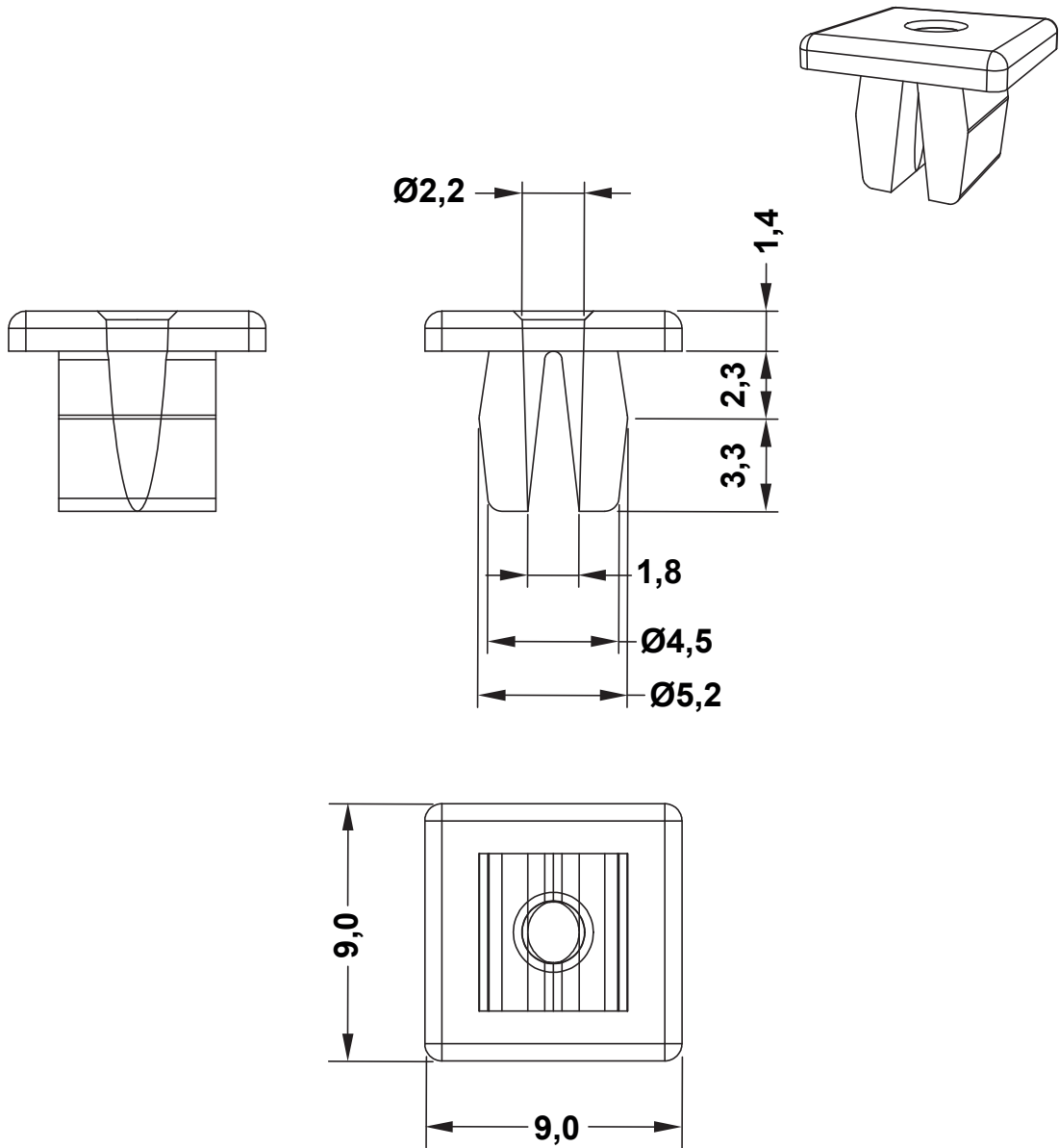



| Tolleranze [mm] |        |
|-----------------|--------|
| Dim.            | Toll.  |
| 0 ~ 5           | ± 0,15 |
| 5 ~ 11          | ± 0,20 |
| 11 ~ 18         | ± 0,25 |
| 18 ~ 50         | ± 0,40 |
| 50 ~ 120        | ± 0,75 |
| 120 ~ 250       | ± 1,00 |
| 250 ~ 400       | ± 1,30 |
| 400 ~           | ± 2,00 |

| REVISIONS |             |      |    |
|-----------|-------------|------|----|
| REV       | DESCRIPTION | DATE | BY |
|           |             |      |    |
|           |             |      |    |



**MOUNTING HOLE Ø5,5**  
**PANEL THICKNESS 0,5 - 2,0**

|   |              |             |          |                                |                    |
|---|--------------|-------------|----------|--------------------------------|--------------------|
|  |              |             |          | TITLE<br><b>SCREW GROMMETS</b> |                    |
|   |              |             |          | MATERIAL<br>PA66 V2(UL94)      | DATE<br>12/02/2021 |
| PART NUMBER<br>0110AA00   |              |             |          | DRAWN<br>R.F.                  |                    |
| DRAWING NUMBER<br>21.02.12.0110.0.E   |              |             |          | CHECK                          |                    |
| SIZE<br>A4  | SCALE<br>NTS | UNIT<br>mm. | REV<br>A | COLOR<br>NATURAL               | APPROVED           |
| UNLESS OTHERWISE SPECIFIED TOLERANCE<br>SEE ABOVE                                   |              |             |          | APPROVED                       |                    |