

# LS series

- Load life : 85°C 5000Hours Screw terminal type.
- Suitable for use in industrial equipment industrial power, solar pv inverter, wind power, Marine, heavy trucks, and other fields.
- RoHS Compliance
- 85°C 5000小時 螺栓型端子。
- 適用於工業設備工控電源，太陽能光伏逆變器，風力發電，船舶，重型卡車等領域。



## SPECIFICATIONS

Items 項目	Characteristics 特性					
Capacitance Tolerance 靜電容量誤差	± 20%(120Hz,20°C)					
Operating Temperature Range 適用溫度範圍	- 25 ~ +85°C					
Rated Voltage Range 額定電壓範圍	350 ~ 500VDC					
Rated Capacitance Range 容量範圍	220 ~ 1,000,000µF					
Leakage Current 洩漏電流	I ≤ 0.02CV ( µA) or 5mA, whichever is smaller. ( After 5 minutes application of DC rated voltage, at 20 °C)					
Dissipation Factor 散逸因素( tan δ)	Measurement Frequency: 120Hz. Temperature: 20°C					
	Rated Voltage(V)	160	350	400	450	500
	tan δ(MAX)	0.20	0.15	0.15	0.15	0.15
Temperature Stability 溫度特性	Measurement Frequency: 120Hz.					
	Capacitance Change C(-25°C)/Z(20°C) ≥ 0.6					
Load Life 負荷壽命	The following specifications shall be satisfied when the capacitors are restored to 20°C after subjected to DC voltage with the rated ripple current is applied for 5,000 hours at 85°C.					
	Capacitance Change	Within ± 20% of Initial Value				
	tan δ	200% or less of Initial Specified Value				
	Leakage Current	Initial Specified Value or less				
Shelf Life 放置壽命	The following specifications shall be satisfied when the capacitors are restored to 20°C after exposing them for 500 hours 85°C without voltage applied. Before the measurement, the capacitor shall be preconditioned by applying voltage according to them 4.1 of JIS C5101-4.					
	Capacitance Change	Within ± 20% of Initial Value				
	tan δ	200% or less of Initial Specified Value				
	Leakage Current	Initial Specified Value or less				
Standards 參照標準	JIS C 5101-4-1 (IEC 60384)					

### Frequency Coefficient of Permissible Ripple Current

Rated Voltage (V)	Frequency (Hz)				
	50	120	300	1K	≥10K
350 ~ 500	0.80	1.00	1.20	1.30	1.40

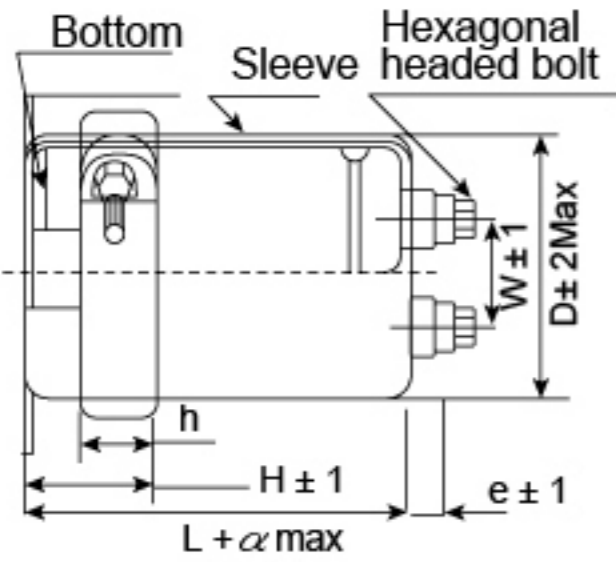
The endurance of capacitors is reduced with internal heating produced by ripple current at the rate of halving the lifetime with every 10°C rise. When long life performance is required in actual use , the rms ripple current has to be reduced.



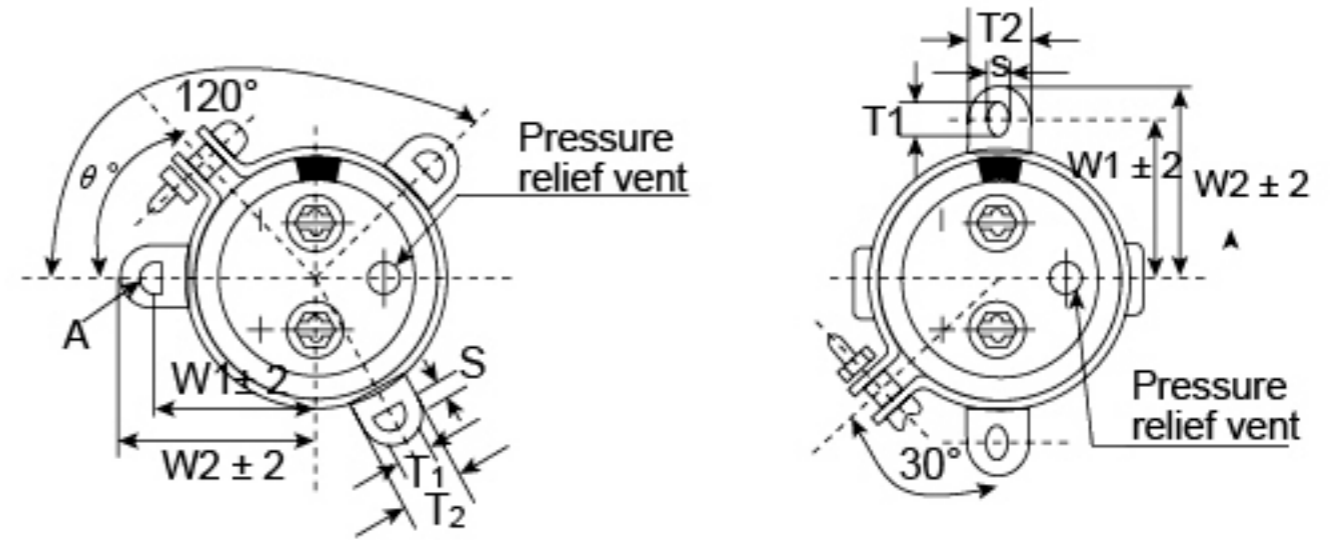
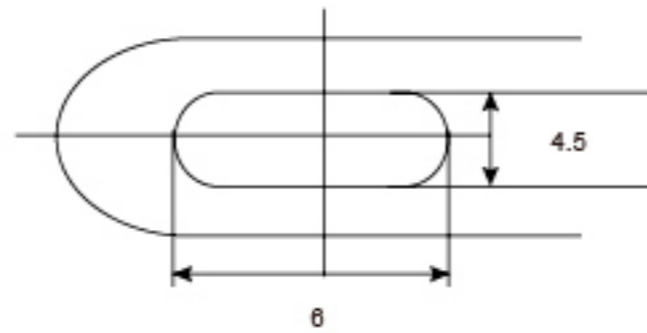
# LS series

## DIMENSIONS(mm)

Screw terminal type for  $\phi 51$  and larger

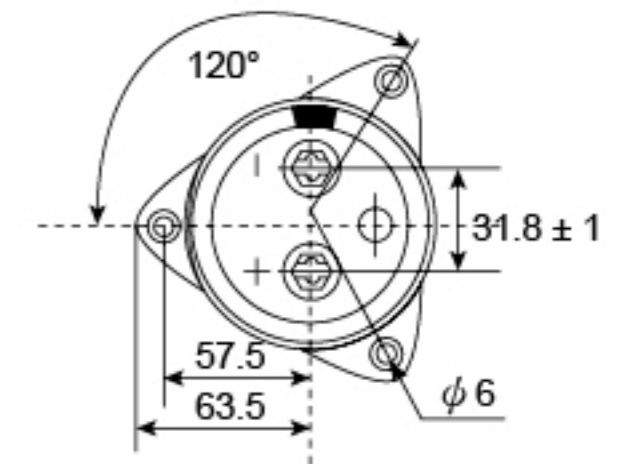
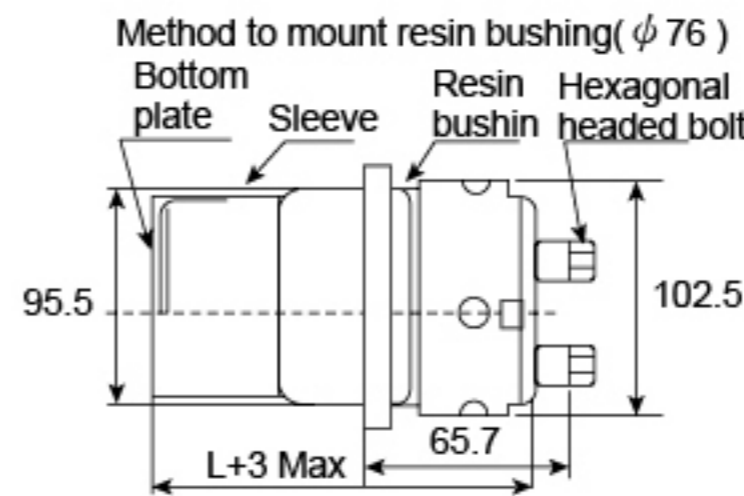
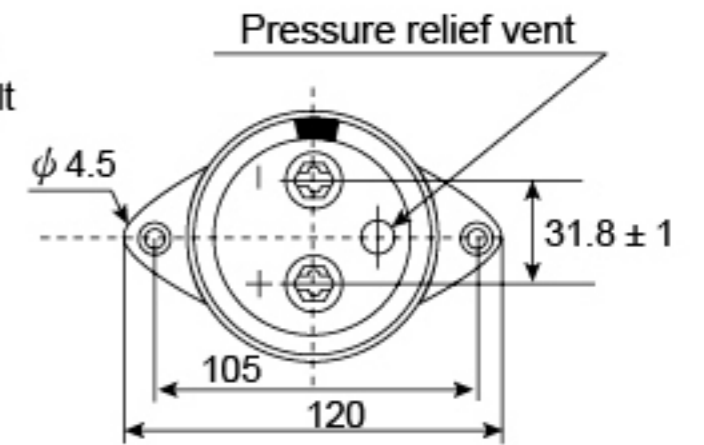
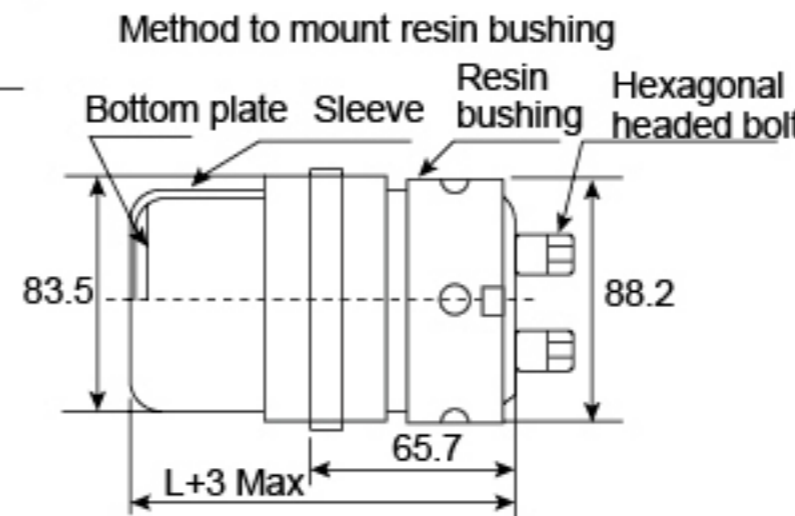


3-leg brackets for  $\phi 90$  capacitors have different hole shapes from the ordinary ones as illustrated below.



## TERMINAL PITCH(W) & LENGTH (e) TABLE

$\phi D$	W	e	$\alpha$
51	22	6	3
64	28.6	6	3
76	31.8	6	3
90	31.8	6	3
100	41.5	10	4



## DIMENSIONS OF MOUNTING BRACKET

Cap ( $\mu F$ )	Leg shape	3-Legs					2-Legs			
		$\phi D$	$\phi 51$	$\phi 64$	$\phi 76$	$\phi 90$	$\phi 100$	$\phi 51$	$\phi 64$	$\phi 76$
$W_1$		32.5	38	44.5	50.8	56.3	33.2	40.5	46.5	53
$W_2$		38.5	43	49.2	57	62	40	46.5	53	59
$T_1$		7.5	8.0	7.0	7.0	8.0	6.0	6.0	6.0	6.0
$T_2$		12	14	14	16	16	14	14	14	14
S		5.0	5.0	5.0	5.0	5.0	4.5	4.5	4.5	4.5
$\theta^\circ$		60	60	60	60	60	30	30	30	30
H		20	25	30	35	36	25	35	35	35
h		15	20	24	20	30	15	20	20	20

## STANDARD RATINGS

D×L(mm) ; R.C.(A rms) at 85°C 120Hz

Cap ( $\mu F$ )	V	350		400		450		500		
		Item	D x L	R.C.	D x L	R.C.	D x L	R.C.	D x L	R.C.
1500								64x115	8.6	
1800								64x130	10.0	
2200								64x155	11.7	
2700					64x100	11.5	64x130	12.8	76x120	15
3300					64x130	14.2	64x155	15.2	76x145	17.5
3900	64x115	14.6		64x155	16.5	64x155	16.5	76x155	20.2	
4700	64x130	16.9		76x120	17.2	76x120	18.0			
				64x155	18.1	76x145	20.8	90x135	21.8	
				76x130	20.8	90x120	21.8			
5600	64x155	19.8		76x140	22.7	76x160	24.2	90x160	25.3	
	76x120	21.6		90x120	23.8	90x135	24.9			
6800	76x145	25.0		76x160	26.6					
	90x120	26.2		90x135	27.4	90x160	29.4	90x175	29.0	
8200	76x160	29.3				90x160	32.2			
	90x135	30.1		90x160	32.2					
10000	90x160	35.7		90x160	35.7	90x175	36.9			
12000	90x160	39.1								