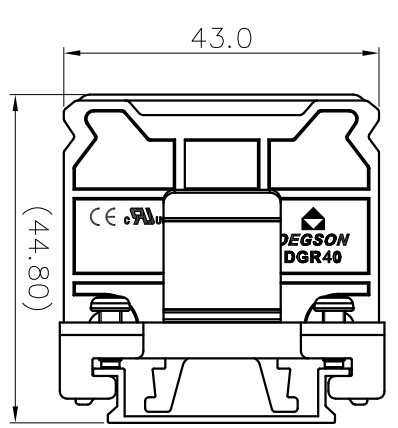
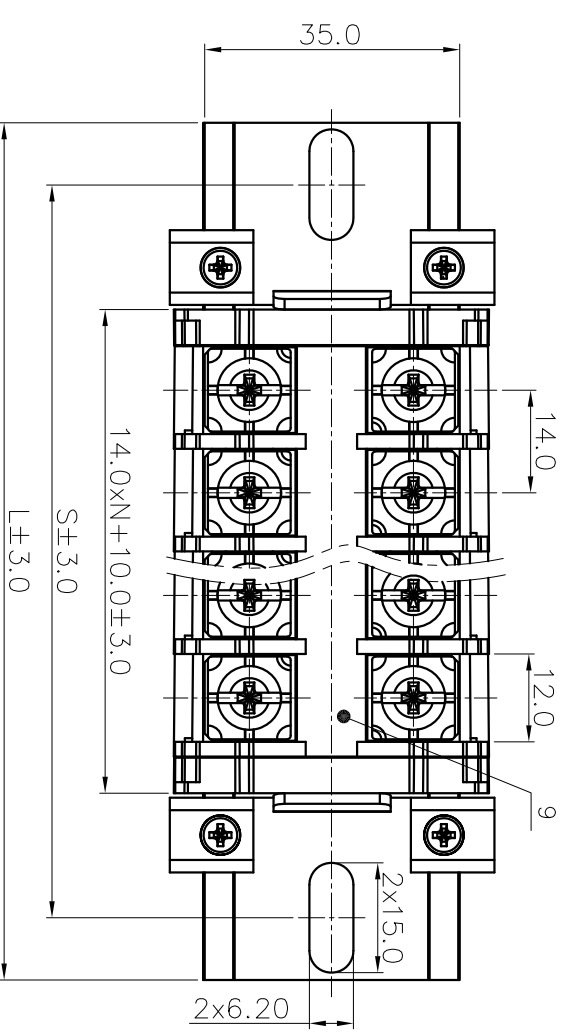
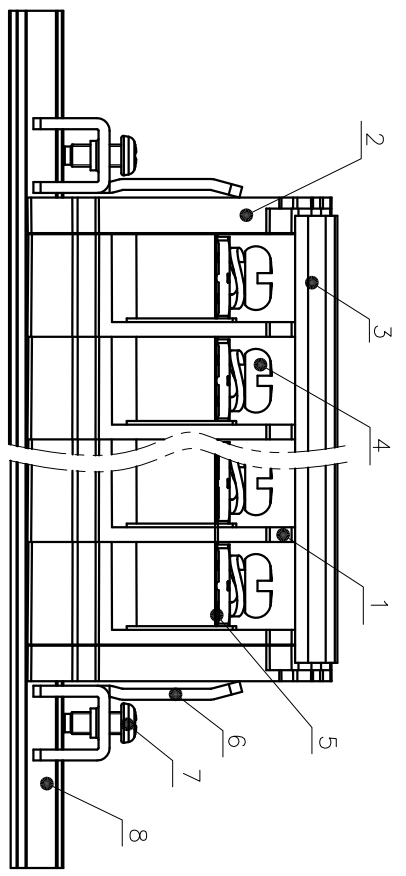


(Without Cover)



未注公差/General tolerances(mm)	0	>3	>6	>10	>18	>30	>50	>80	>120	>180	>250	>315	>400	>500	0.1/10
±0.12	±0.18	±0.22	±0.26	±0.31	±0.37	±0.57	±0.80	±0.93	±1.05	±1.15	±1.60	±2.20	±2.50	±2.50	±2



POLES	1	2	3	4	5	6	7	8	9	10	11	12	13	14	15	16
L	77	77	97	117	117	137	157	157	177	197	217	217	237	257	257	277
S	60	60	80	100	100	120	140	140	160	180	200	200	220	240	240	260

ITEM	NAME OF PART	MATERIAL	NOTES
9	Tag	PVC	/
8	Tramboard	Al	/
7	Screw2	Steel	M3/7n Plated
6	Fastener	Steel	M3/7n Plated
5	Current carrier	Copper alloy	Ni Plated
4	Screw 1	Steel	M5/7n Plated
3	Cover	PC	UL94V-2
2	Housing2	PC	UL94V-0
1	Housing1	PC	UL94V-0

UL 标准/UL Standard: B C D

额定电压/电流/Rated Voltage(V)/Current(A) 600/60 600/60 600/5

螺栓扭矩/Torque Tightening(N·m/Lb.in) M5, 2.82/25.0

线径范围(硬线和软线)/Wire Range(rigid and flexible)(AWG) 22~6

间距/Pitch(mm)/线数范围/Poles 14.0/N=01~16P

使用温度范围/Operating temperature(°C) -40~+125

符合RoHS环保要求/Conform to RoHS Yes

MATERIAL: /

MAT NO.: /

STATUS: /

APPD: /

CHKD: /

DRAFT: CenX 2020.05.20

SURFACE: /

NAME: 宁波高松电子有限公司

DEGSON® NINGBO DEGSON ELECTRICAL CO., LTD

DRAWING NO.: DGR40-C01

TYPE: CUSTOMER DRAWING

SCALE: 1:1

REV T0

1/1

REV	ECN	DESCRIPTION	DRAFT	DATE