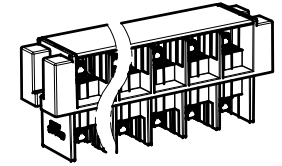
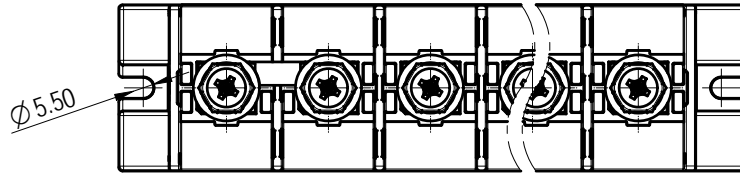
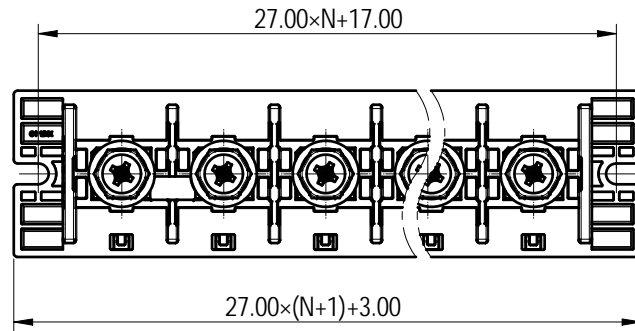
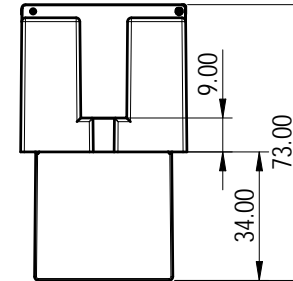
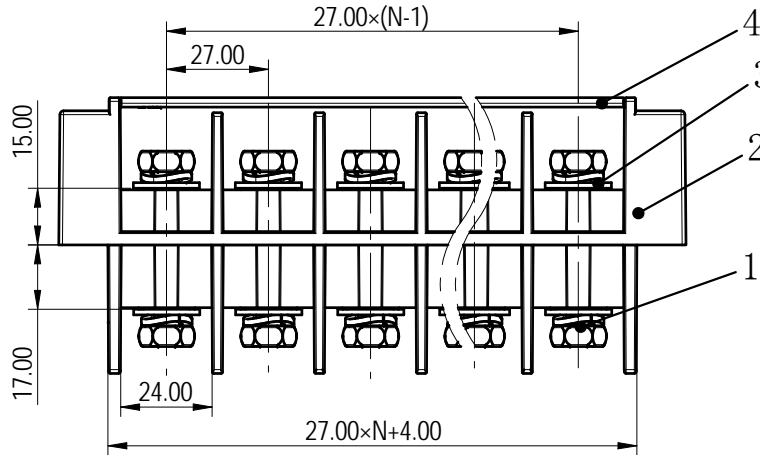
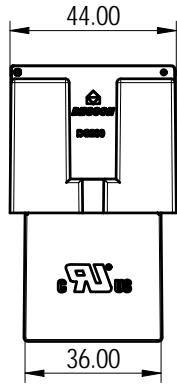


未注公差/General tolerances (mm)												0.1/10	
0	>3	>6	>10	>18	>30	>50	>80	>120	>180	>250	>315		>400
~3	~6	~10	~18	~30	~50	~80	~120	~180	~250	~315	~400	~500	>500
±0.12	±0.18	±0.22	±0.26	±0.31	±0.37	±0.57	±0.80	±0.93	±1.05	±1.15	±1.60	±2.20	±2.50

Schematic diagram without cover



1:5



ITEM	NAME OF PART	MATERIAL	NOTES
4	Cover	PC	UL94V-2
3	Cage	Copper alloy	M8/Ni plated
2	Housing	PA66+25%GF	UL94V-0
1	screw	Steel	M8/Zn plated

UL 标准/UL Standard:		E		
额定电压/电流/Rated Voltage(V)/Current(A)		1000/200		
IEC 标准/IEC Standard:				
过压类别/Overvoltage Category/污染等级/Pollution Degree		III/3	III/2	II/2
额定直流电压/电流/Rated Voltage(V)/Current(A)		1500/200	/	/
额定脉冲电压(KV)/Rate Impulse Voltage(KV)		8	/	/
螺丝扭矩/Torque Tightening(N·m/Lb.in)		M8, 6/53.12		
线径范围(硬线和软线)/Wire Range(rigid and flexible)(AWG/mm ²)		6-3/0 / 10-70		
间距/Pitch(mm)/线数范围/Poles		27/N=02~05P		
使用温度范围/Operating temperature(°C)		-40~+120		
符合RoHS环保要求/Conform to RoHS		Yes		



APPD:	蓝贵凡	2023.02.07
CHKD:	曹利彬	2023.02.07
DRFT:	虞倩松	2023.02.07

MATERIAL:	/	SURFACE/COLOR:	/
MAT NO./REV:	/	MAT STATUS:	/
NAME			
DG200-A-XXP-1Y-00A&Z(H)			
DRAWING NO.	/	TYPE	CUSTOMER DRAWING
DRAWING STATUS		SCALE	SHEET
已发布		1:2	1/1

REV	ECN	DESCRIPTION	DRFT	DATE
00				

Transfer or duplication of this document as well as the utilization or communication of its contents are prohibited unless explicit authorization is granted. Violations are prohibited. 未经授权复制或传播本文件内容，以及利用或传播其内容均属于侵权行为。本公司保留所有权利。