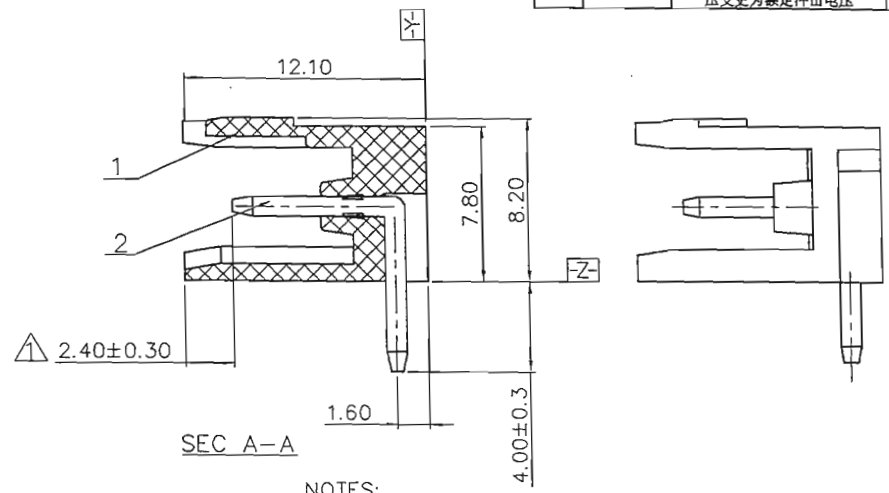
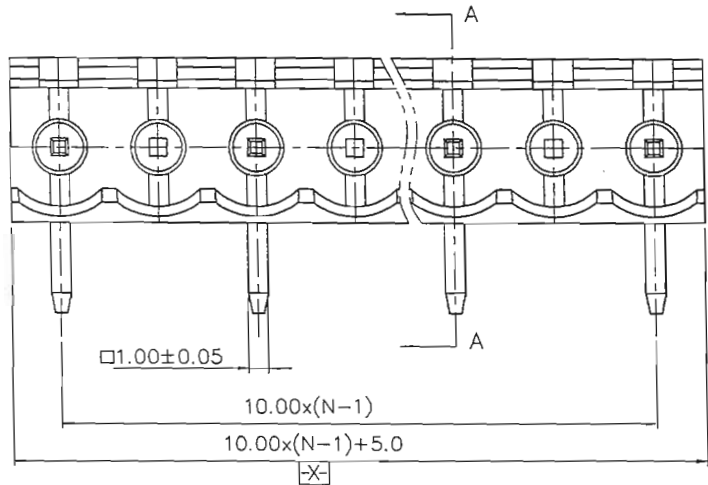
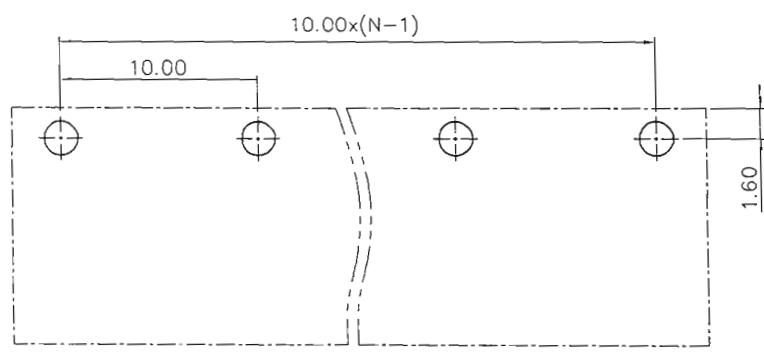
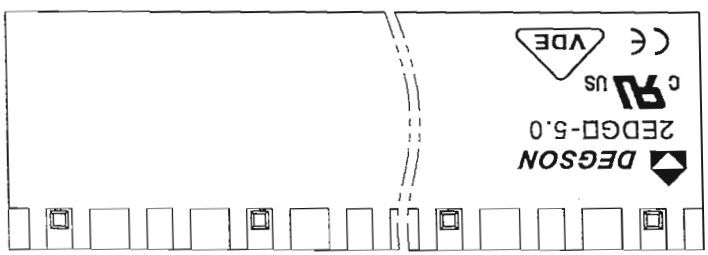


REVISION RECORD				
REV	ECN	DESCRIPTION	DRFT	DATE
△	10-0329	增加尺寸管控	COCO	09/30/10
△	14-0107	黄铜变紫铜, 料号变更; 工频耐压变更为额定冲击电压	XLM	06/19/14



- NOTES:
- 1.DIMENSION SHALL BE INTERPRETED PER ASME Y14.5-2009.
 - 2.PITCH: 5.00MM ,POLES: N=2-12P
 - 3.RATED VOLTAGE/CURRENT: UL 300V/15A
VDE 320V/20A
 - 4.OPERATION TEMPERATURE: -40℃~+105℃
 - 5.RATED IMPULSE VOLTAGE: 4.0KV
 - 6.INSULATION RESISTANCE: 5000M Ω/DC1000V
 - 7.UNDIMENSIONED TOLERANCES:

PITCH RANGE IN MM		NOMINAL DIMENSION RANGE IN MM				
OVER 6 TO 10	OVER 10 TO 24	OVER 30 TO 60	OVER 60 TO 100	OVER 100 TO 150	OVER 150	□
±0.10	±0.15	±0.25	±0.20	±0.30	±0.50	±1.00, 0.05/10



ITEM	NAME OF PART	NO. OF PART	Q'TY	MATERIAL	NOTES
△ 2	2EDGR-Pin header; Automatic assembly	1008B00340(H)	XX	COPPER	Sn Plated
△ 2	2EDGR-Pin header; Manual assembly	1008B00330(H)	XX	COPPER	Sn Plated
1	2EDGR-5.0- housing	1018A0Y(2XX-1)A(H)	1	PA66	UL94V-0

DETACHED LISTS	TOLERANCES EXCEPT AS NOTED		FINISH:		MATERIAL:		宁波高正电子有限公司 DEGSON® DEGSON ELECTRONICS CO., LTD		
	.X ±	.X' ±	PART NO.:	NAME:	2EDGR-5.0-XXP-2Y-00A(H)				
	.XX ±	.XX' ±	APPD: <i>Aaron 12/20/14</i>	TITLE: ASSEMBLY DRAWING	REV	T2			
	.XXX ±	.XXX' ±	CHKD: <i>Am 12/20/14</i>	DRFT: LJM 06/18/09	DRAWING NO.:	2EDGR-5.0-E07			
ANGLES ± 1°		THIRD ANGLE PROJECTION		DO NOT SCALE DRAWING	SCALE	N/A		SHEET	1/1