

| REV. | DESCRIPTION | DRAWN | DATE |
|------|-----------------|-------|------------|
| 1 | INITIAL RELEASE | TIM | 2021/08/03 |

DIMENSION TABLE

| PIN | DIM A | DIM B | DIM C | DIM D | DIM E | DIM F | DIM G |
|-----|-------|-------|-------|-------|-------|-------|-------|
| 4 | 4.00 | 1.50 | 2.57 | 3.39 | 3.10 | 3.90 | 2.50 |
| 5 | 4.50 | 2.00 | 3.07 | 3.89 | 3.60 | 4.40 | 3.00 |
| 6 | 5.00 | 2.50 | 3.57 | 4.39 | 4.10 | 4.90 | 3.50 |
| 7 | 5.50 | 3.00 | 4.07 | 4.89 | 4.60 | 5.40 | 4.00 |
| 8 | 6.00 | 3.50 | 4.57 | 5.39 | 5.10 | 5.90 | 4.50 |
| 10 | 7.00 | 4.50 | 5.57 | 6.39 | 6.10 | 6.90 | 5.50 |
| 11 | 7.50 | 5.00 | 6.07 | 6.89 | 6.60 | 7.40 | 6.00 |
| 12 | 8.00 | 5.50 | 6.57 | 7.39 | 7.10 | 7.90 | 6.50 |
| 13 | 8.50 | 6.00 | 7.07 | 7.89 | 7.60 | 8.40 | 7.00 |
| 14 | 9.00 | 6.50 | 7.57 | 8.39 | 8.10 | 8.90 | 7.50 |
| 15 | 9.50 | 7.00 | 8.07 | 8.89 | 8.60 | 9.40 | 8.00 |
| 16 | 10.00 | 7.50 | 8.57 | 9.39 | 9.10 | 9.90 | 8.50 |
| 17 | 10.50 | 8.00 | 9.07 | 9.89 | 9.60 | 10.40 | 9.00 |
| 18 | 11.00 | 8.50 | 9.57 | 10.39 | 10.10 | 10.90 | 9.50 |
| 20 | 12.00 | 9.50 | 10.57 | 11.39 | 11.10 | 11.90 | 10.50 |
| 22 | 13.00 | 10.50 | 11.57 | 12.39 | 12.10 | 12.90 | 11.50 |
| 23 | 13.50 | 11.00 | 12.07 | 12.89 | 12.60 | 13.40 | 12.00 |
| 24 | 14.00 | 11.50 | 12.57 | 13.39 | 13.10 | 13.90 | 12.50 |
| 26 | 15.00 | 12.50 | 13.57 | 14.39 | 14.10 | 14.90 | 13.50 |
| 28 | 16.00 | 13.50 | 14.57 | 15.39 | 15.10 | 15.90 | 14.50 |
| 30 | 17.00 | 14.50 | 15.57 | 16.39 | 16.10 | 16.90 | 15.50 |
| 32 | 18.00 | 15.50 | 16.57 | 17.39 | 17.10 | 17.90 | 16.50 |
| 34 | 19.00 | 16.50 | 17.57 | 18.39 | 18.10 | 18.90 | 17.50 |
| 36 | 20.00 | 17.50 | 18.57 | 19.39 | 19.10 | 19.90 | 18.50 |
| 40 | 22.00 | 19.50 | 20.57 | 21.39 | 21.10 | 21.90 | 20.50 |
| 42 | 23.00 | 20.50 | 21.57 | 22.39 | 22.10 | 22.90 | 21.50 |
| 45 | 24.50 | 22.00 | 23.07 | 23.89 | 23.60 | 24.40 | 23.00 |
| 50 | 27.00 | 24.50 | 25.57 | 26.39 | 26.10 | 26.90 | 25.50 |

How to order:

315A- XX C 0 1

1 2

1 pin count: xx= 04~50

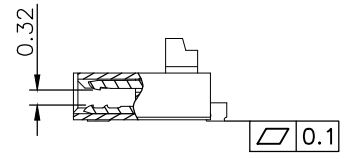
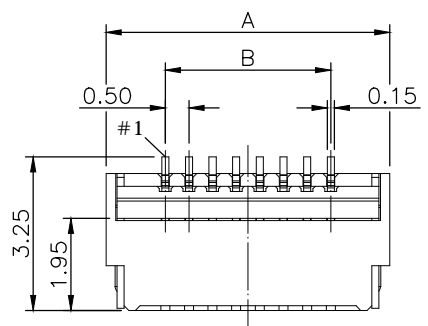
2 contact type: C= dual side contact

| | | |
|---|----------|---------------------------------------|
| 4 | HOLDDOWN | Copper alloy, Tin plating over Nickel |
| 3 | COVER | High temp. thermoplastic, UL94V-0 |
| 2 | CONTACT | Copper alloy, G/F plating over Nickel |
| 1 | HOUSING | LCP, UL94V-0, Natural |

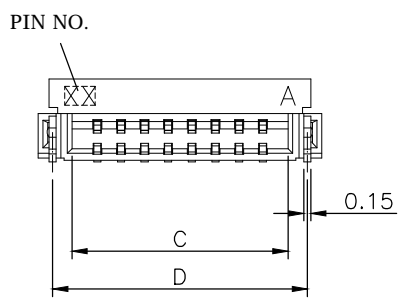
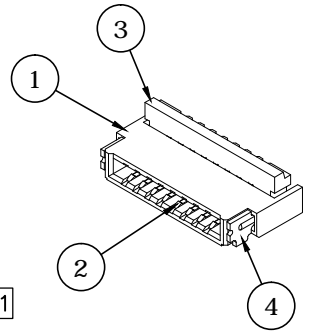
| NO. | | PART NAME | DESCRIPTION |
|--------------------------------------|---------|--|-------------|
| UNLESS OTHERWISE SPECIFIED TOLERANCE | | | |
| UNIT: | DECIMAL | LINEAR | ANGLES |
| | mm | X. ±0.50 | ±5° |
| | | X.X ±0.25 | ±3° |
| | | X.XX ±0.12 | ±1° |
| DRAWN | | Tim | 2021/08/03 |
| CHECKED | | Fros | 2021/08/03 |
| APPROVED | | Ken | 2021/08/03 |
| SCALE | | 1/1 | SHEET 1/1 |
| SIZE | | A4 | |
| DRAWN NAME: | | FPC Connector, Horizontal 1.0H Back Flip Pitch 0.5, Dual Side Contact, XX Pin, G/F, Reel | |
| PRODUCT NO. | | see how to order | |
| FILE NAME | | 315A-XXC01_B_1 | |



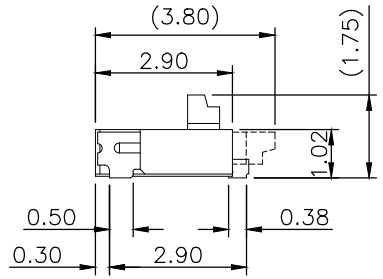
www.attend.com.tw



SECTION VIEW



RECOMMENDED LAYOUT (TOP VIEW)
GENERAL TOLERANCE: ±0.05mm



FFC/FPC DIMENSION
GENERAL TOLERANCE: ±0.03mm

