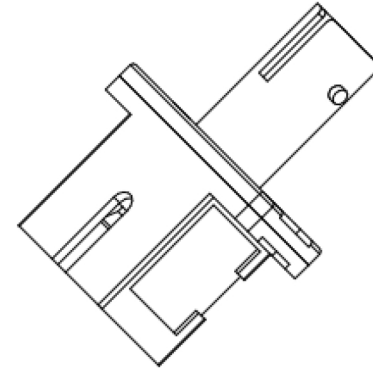
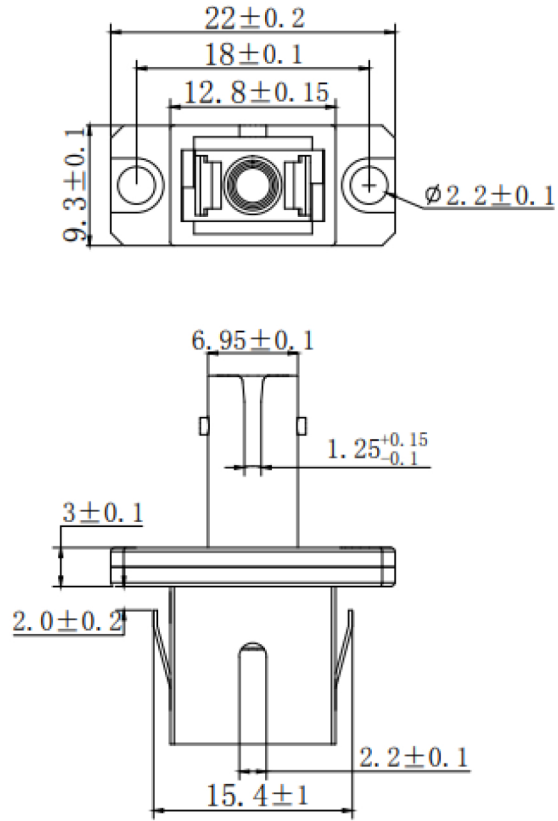


TOL. UNLESS SPECIAL SEE STANDARD TOLERANCE					Scale To Fit	
NOMINAL DIMENSION	0-30	30-100	100-200	200-400	400-1000	
0	± 0.1	± 0.2	± 0.3	± 0.5	± 1	
0.0	± 0.05	± 0.05	± 0.1	± 0.2	± 0.3	
0.00	± 0.01	± 0.02	± 0.05	± 0.05	± 0.1	



### Parameter

Item	Parameter
Color Coated	/
Sleeve	Zirconia
Insertion Loss	<0.2dB
wavelength	1310nm.1550nm
Mating Durability(1000times)	Additional Loss<0.1dB
Temperature Stability(-40°C~85°C)	Additional Loss<0.2dB
Operating Temperature	-40°C~+75°C
Storage Temperature	-40°C~+85°C
Meet to RoHS,IEC and Bellcore GR-326-CORE Telcordia	

Date	Signature	Rev.	Revision Detail	Rev.Date	By	Drawing Description		
Drawn	Zeynep ŞAHİN	-	-	-	-	SC/PC-ST/PC SM SX Plastic Adapter		
Checked	Ersin YÜKSEL							
Approved								
						Drawing No	Scale	Sheet
						FO-06P41H1S14S	1:10	1/1