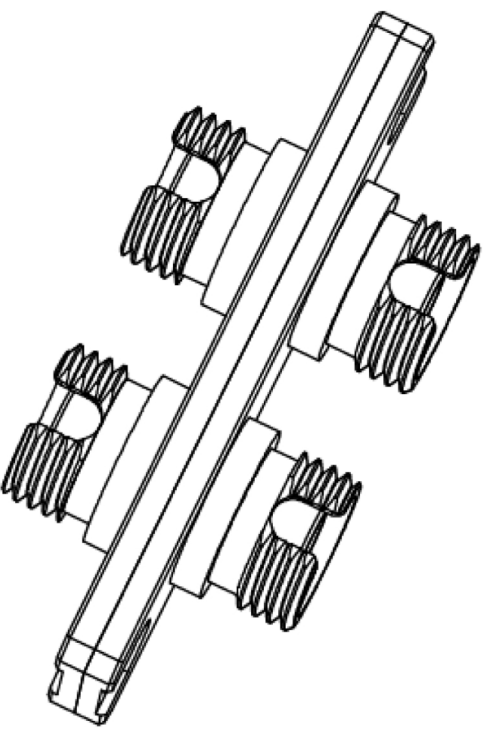
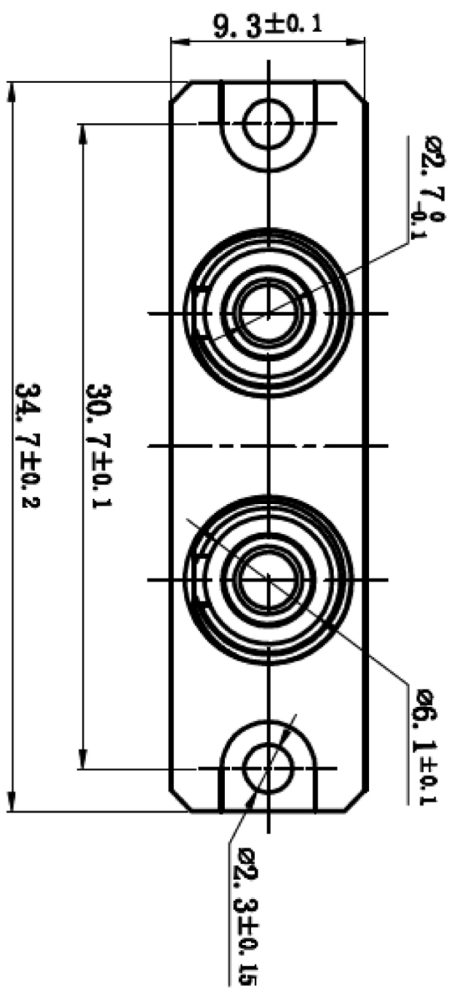
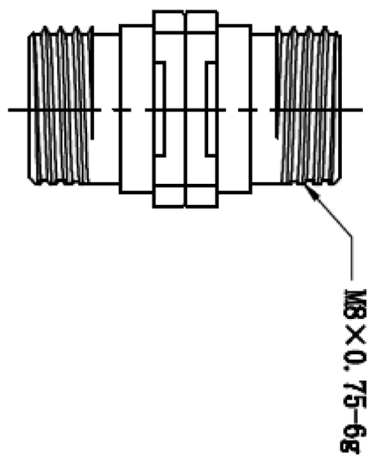
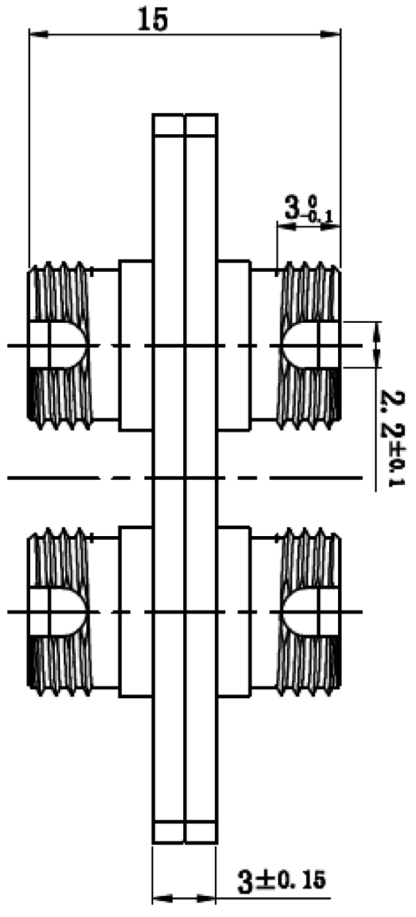


VIEW	TOLERANCE
0-10	±1
11-250	±5
251-500	±10
501-1000	±20
1001-3000	±50
3001-5000	±100
5001- >	±150

UNT: mm



Date	22.03.2023	Rev.	Revision Detail	Rev/Dt.	Rev/By	Part No
Designed by	Zeynep SAHIN	-				FC/APC SM DX
Checked by	Fatih BOLUCA					Plastic Adapter
Drawing Nr. <span style="float: right;">Scale</span> <span style="float: right;">Sheet No</span> FC-QRP31N1DD04 <span style="float: right;">NONE</span> <span style="float: right;">1/1</span>						

