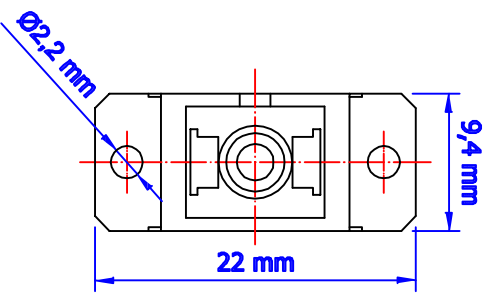
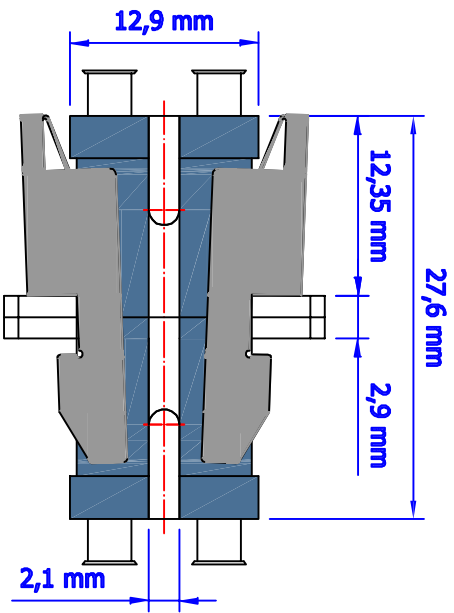


VIEW	TOLERANCE
	±1
	±5
	±10
	±20
	±50
	±100
	±150

UNIT: mm	
0-10	±1
11-250	±5
251-500	±10
501-1000	±20
1001-3000	±50
3001-5000	±100
5001+ >	±150



Date	22.03.2023	Rev.	-	Revision Detail		Rev.Dc.		Rev.By		Part No	LC/PC DX SM KILITLI PLASTIK ADAPTÖR
Designed by	Zeynep SAHIN									Drawing Nr.	FO-06P12F1D02S
Checked by	Fatih BOLACA									Scale	NONE
										Sheet No	1/1



1 2 3 4 5 6 A4