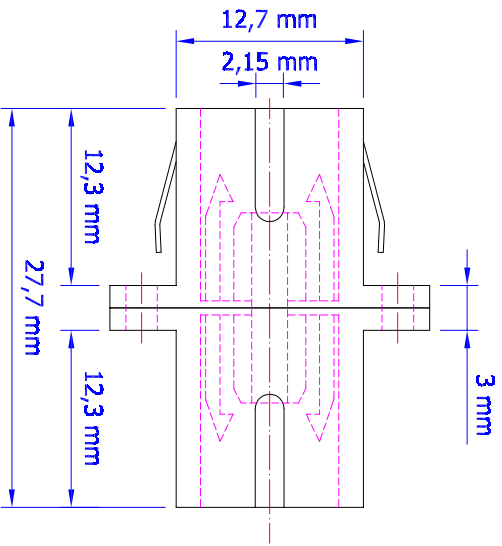
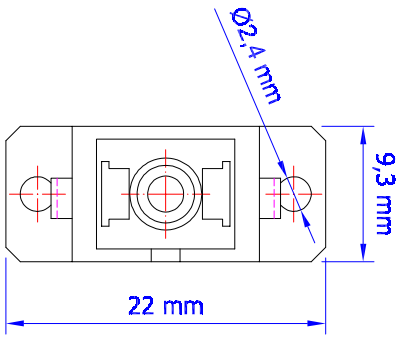


VIEW	TOLERANCE
0-10	±1
11-250	±5
251-500	±10
501-1000	±20
1001-3000	±30
3001-5000	±100
5001- >	±150

UNIT: mm



Date	Rev.	Revision Detail	Rev./Dt.	Rev by	Part No
27.01.2023					SC/PC OM4 SX Plastic Adapter
Designed by Zeynep SAHİN					
Checked by Fatih BOLACA					



Drawing Nr:	Scale	Sheet No
FO-06P101N1S01M	NONE	1/1

1 2 3 4 5 6

