

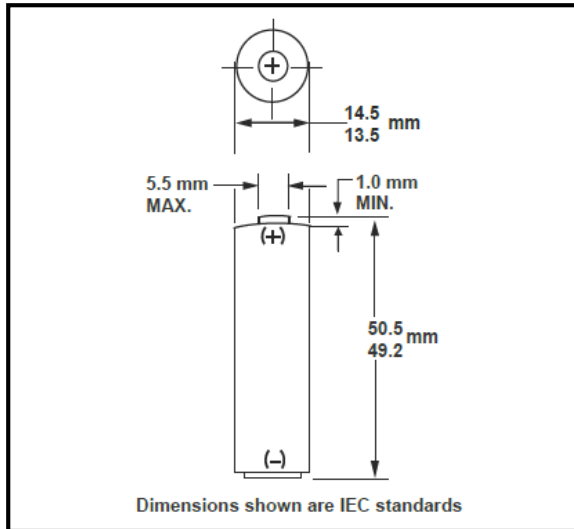
DURACELL®



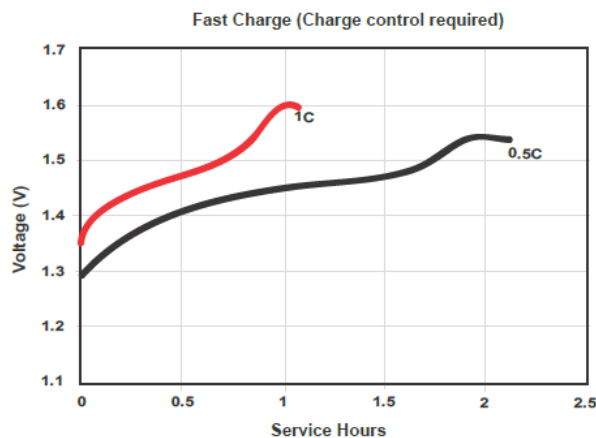
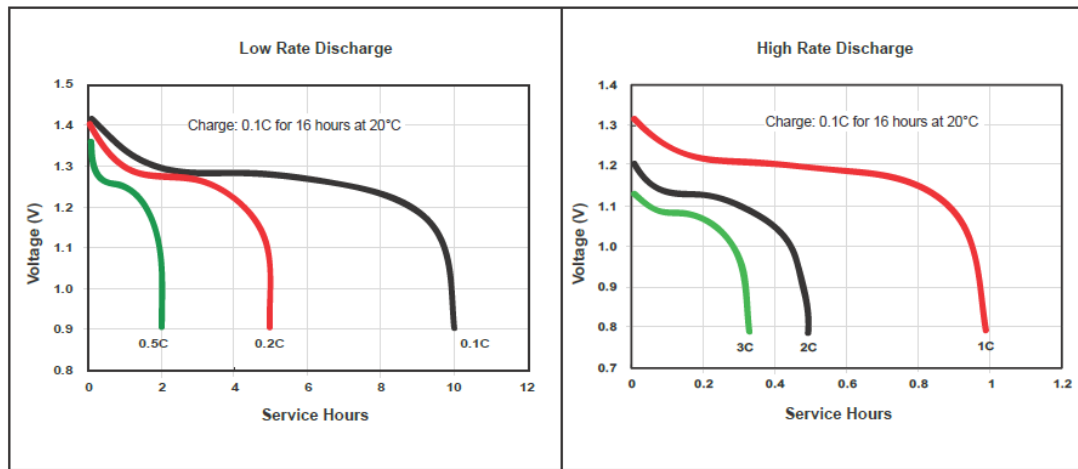
DX1500H

2500mAh AA

Duracell Rechargeable



Specifications	
Classification:	Cylindrical Rechargeable
Chemical System:	Nickel Metal Hydride (NiMH)
Designation:	IEC - HR6
Nominal Voltage:	1.2V
Operating Voltage:	1.0V – 1.35V
Operating Temperature:	-10°C to 50°C (14°F to 122°F)
Storage Temperature:	5°C to 30°C
Typical Weight:	30g
Typical Volume:	8.3 cm ³ (0.50 in ³)
Typical Impedance:	20 mΩ @1kHz
Rated Capacity:	2500mAh
Safety Features:	Pressure release resettable vent



Information and contents in this data sheet are for reference purposes only. They do not constitute any warranty and representation is subject to change without notice. For most current information and further details, please contact Duracell.