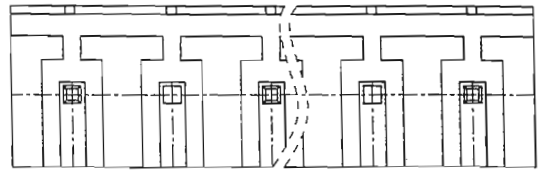
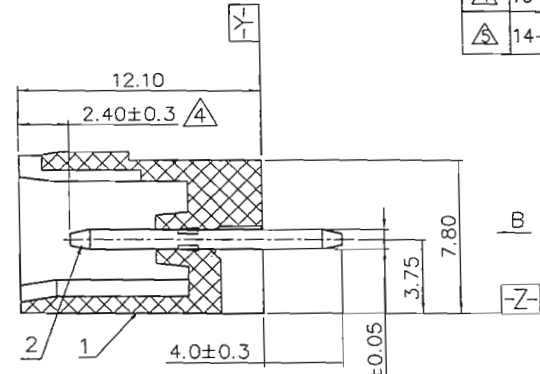
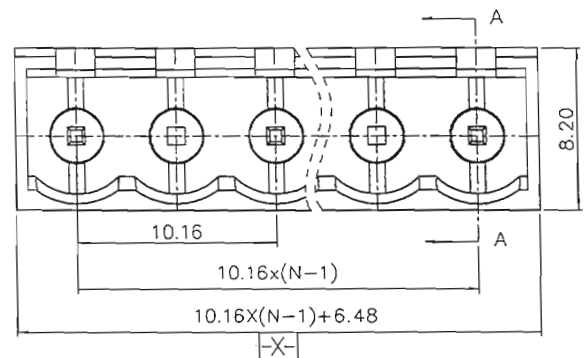
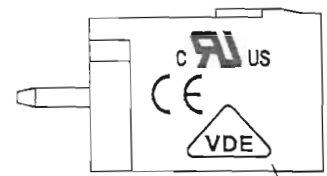


REVISION RECORD

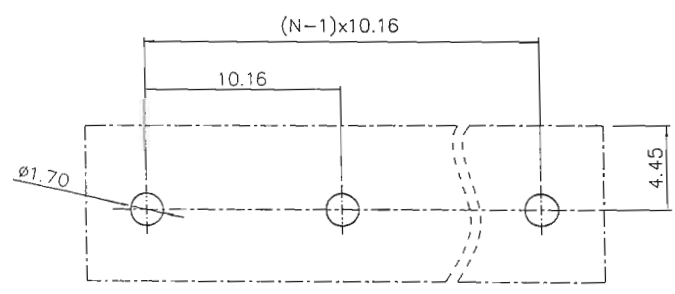
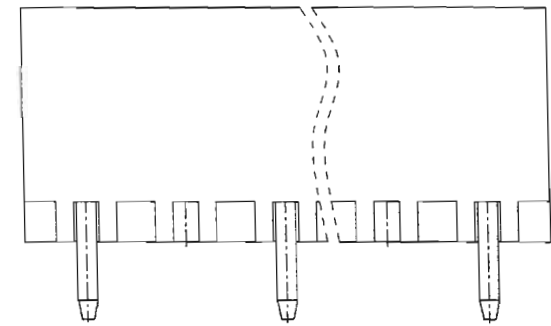
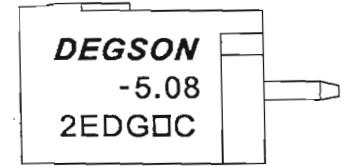
REV	ECN	DESCRIPTION	DRFT	DATE
△		图面更新	csx	05/06/06
△		增加VDE、CE刻字	YeJ	02/28/08
△		增加自动化方针	WLM	09/24/08
△	10-0329	增加标注尺寸	COCO	10/09/10
△	14-0107	黄铜变紫铜, 料号变更; 工频耐压变更为额定冲击电压	HHJ	12/22/14



VIEW B



SEC A-A



P.C.B LAYOUT

NOTES:

1. DIMENSION SHALL BE INTERPRETED PER ASME Y14.5-2009.
2. PITCH: 10.16MM, POLES: 2-12P
3. RATED VOLTAGE/CURRENT: UL 300V/15A VDE 320V/20A
4. OPERATION TEMPERATURES: -40°C~+105°C
5. RATED IMPULSE VOLTAGE: 4.0KV
6. INSULATION RESISTANCE: 5000MΩ/DC1000V
7. UNDIMENSIONED TOLERANCES:

Pitch range in mm		Nominal dimension range in mm						
to	over	to	over	to	over	to	over	
6	10	30	30	60	100	150		∅
±0.10	±0.15	±0.25	±0.2	±0.3	±0.5	±0.7	±1.0	0.05/1.0

ITEM	NAME OF PART	NO. OF PART	Q'TY	MATERIAL	NOTES
2	2EDGV-Pin header Automatic assembly	1007B00340(H)	XX	COPPER	Sn Plated
2	2EDGV-Pin header Manual assembly	1007B00330(H)	XX	COPPER	Sn Plated
1	2EDGVC-5.08-Housing	1009A0Y(2XX-1)A(H)	1	PA66	UL94V-0

DETTACHED LISTS

TOLERANCES EXCEPT AS NOTED		MATERIAL:		FINISH:		PART NO.:		NAME:	
.X ±	.XX ±	.X ±	.XX ±	DEGSO		2EDGVC-5.08-XXP-2Y-00A(H)		ASSEMBLY DRAWING	
.XXX ±		.XXX ±		DEGSO ELECTRONICS CO., LTD		TITLE:		REV T5	
ANGLES ± 1°		APPD: <i>Agren 12/22/14</i>		DRAWING NO.:		2EDGVC-5.08-E09		SHEET 1/1	
THIRD ANGLE PROJECTION		CHKD: <i>Xm 12/23/14</i>		DRFT: Home 04/26/06		DO NOT SCALE DRAWING		SCALE N/A	

宁波高正电子有限公司
DEGSO DEGSO ELECTRONICS CO., LTD

NAME: 2EDGVC-5.08-XXP-2Y-00A(H)

TITLE: ASSEMBLY DRAWING

DRAWING NO.: 2EDGVC-5.08-E09

DO NOT SCALE DRAWING SCALE N/A SHEET 1/1