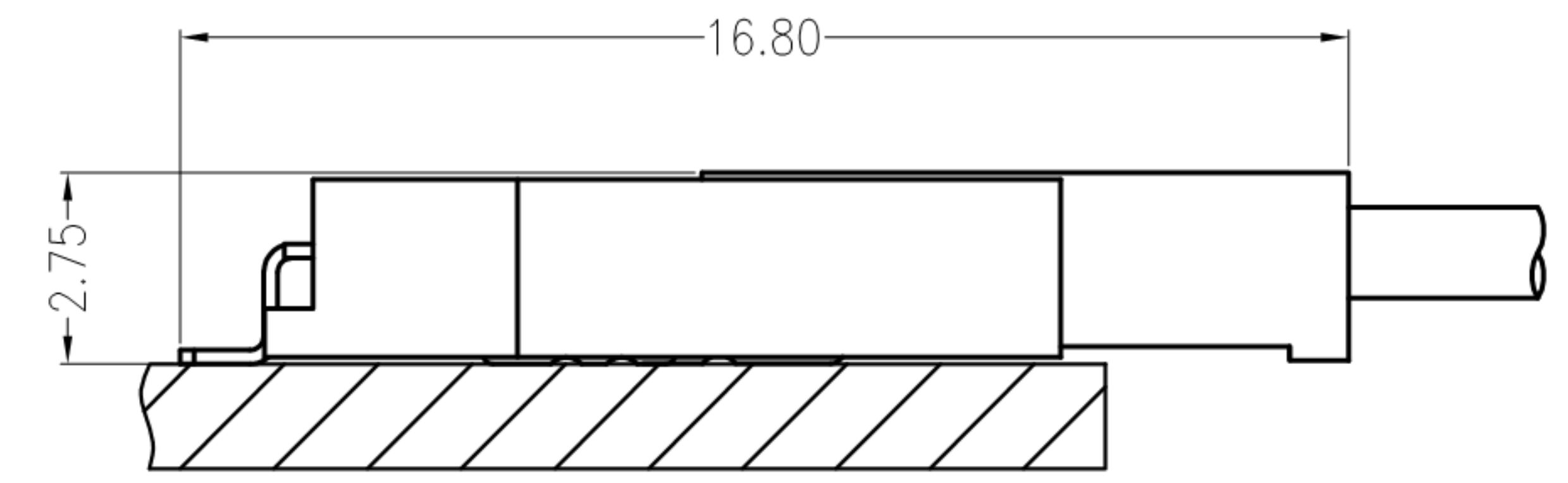
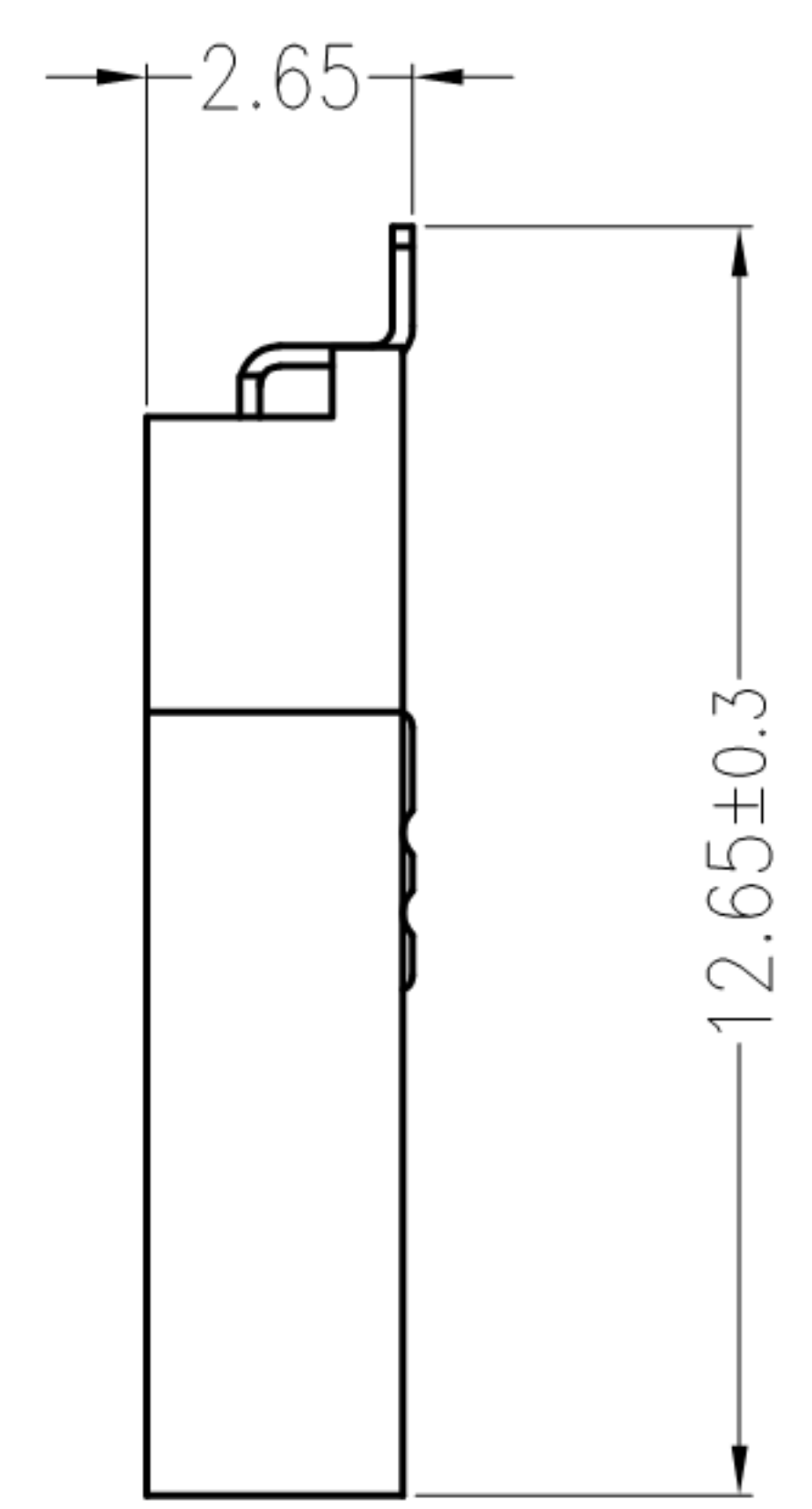
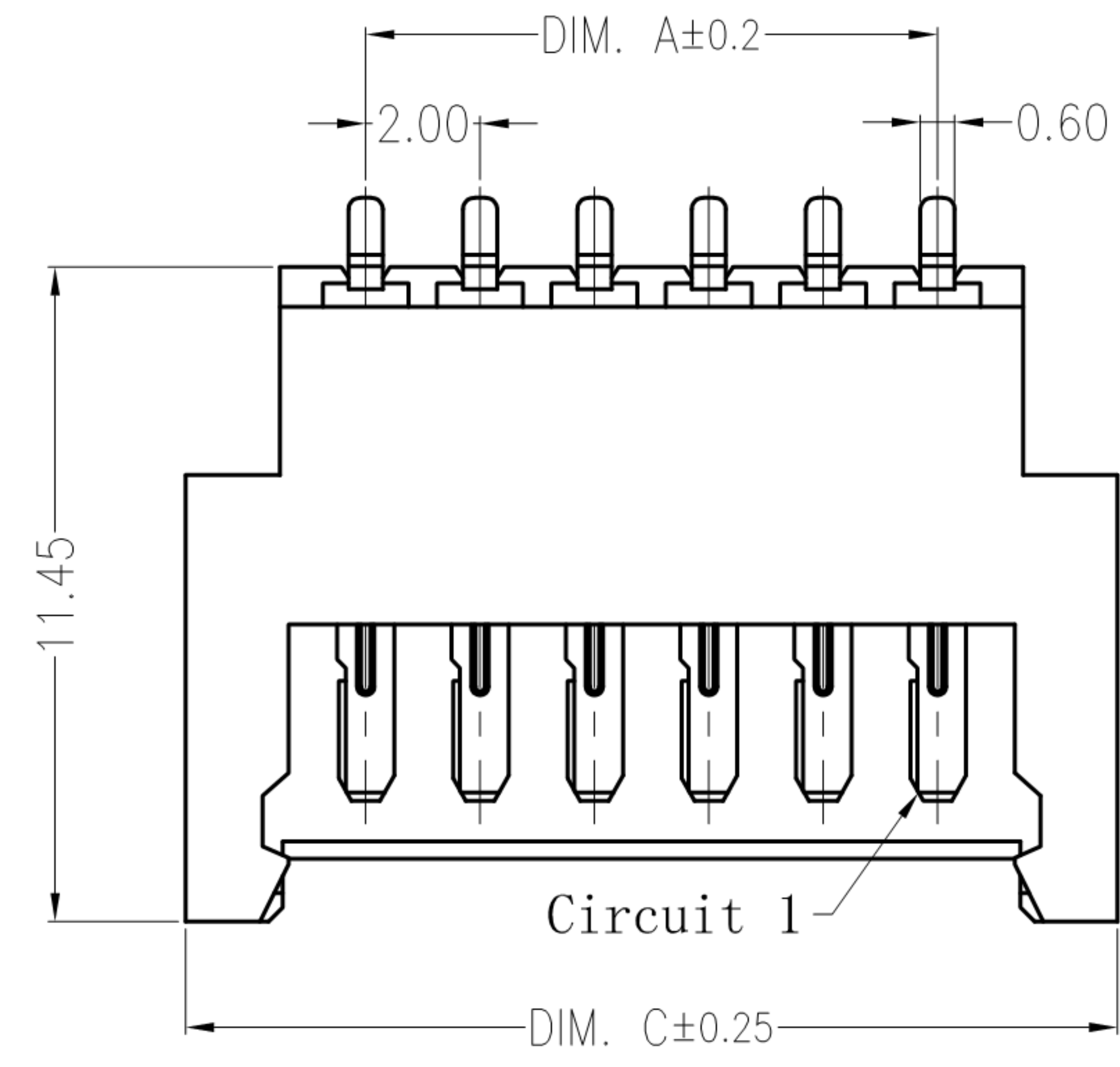
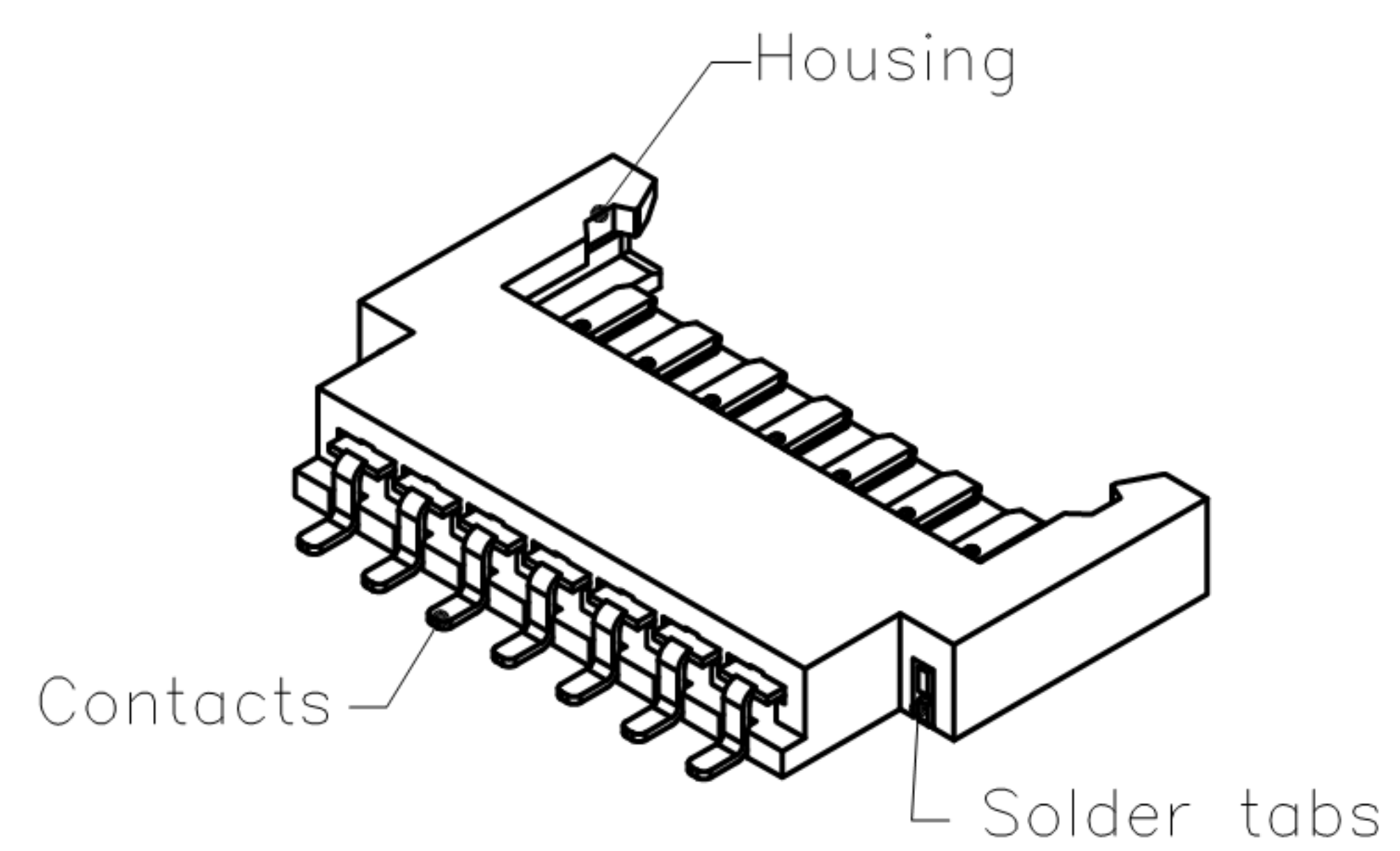
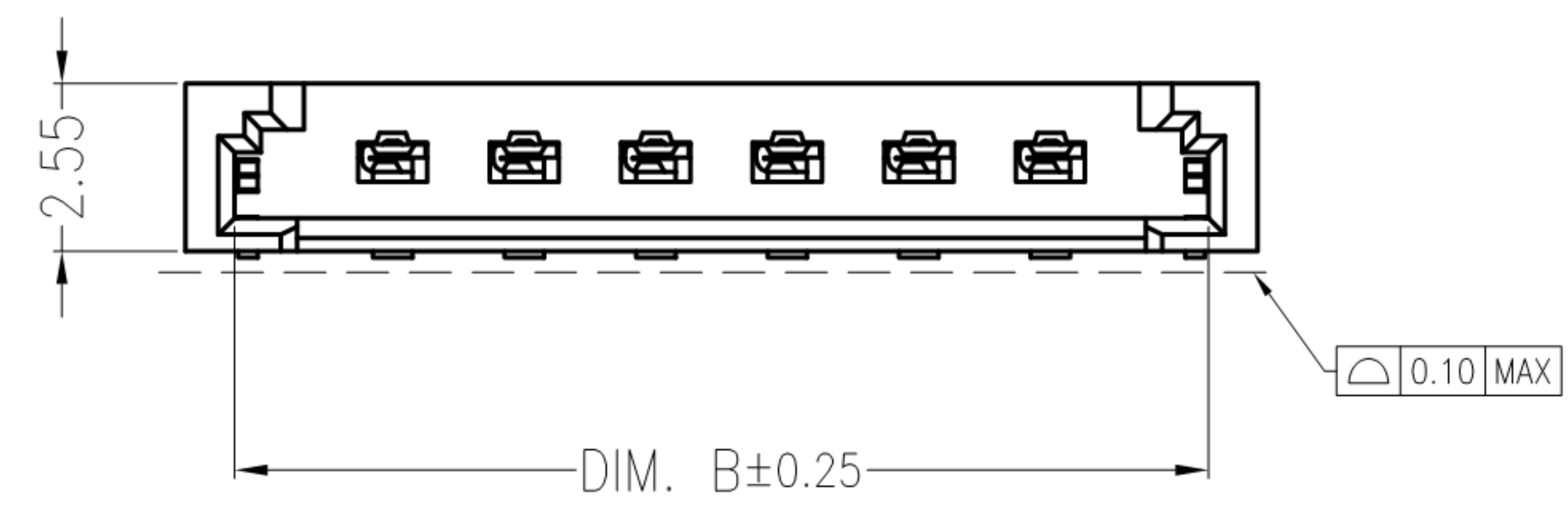


REV	DESCRIPTION	DESIGN	DATE
A0	NEW RELEASE	Wudanping	2016/04/10
A1	Adjust flatness	Jiangjianyin	2020/06/18



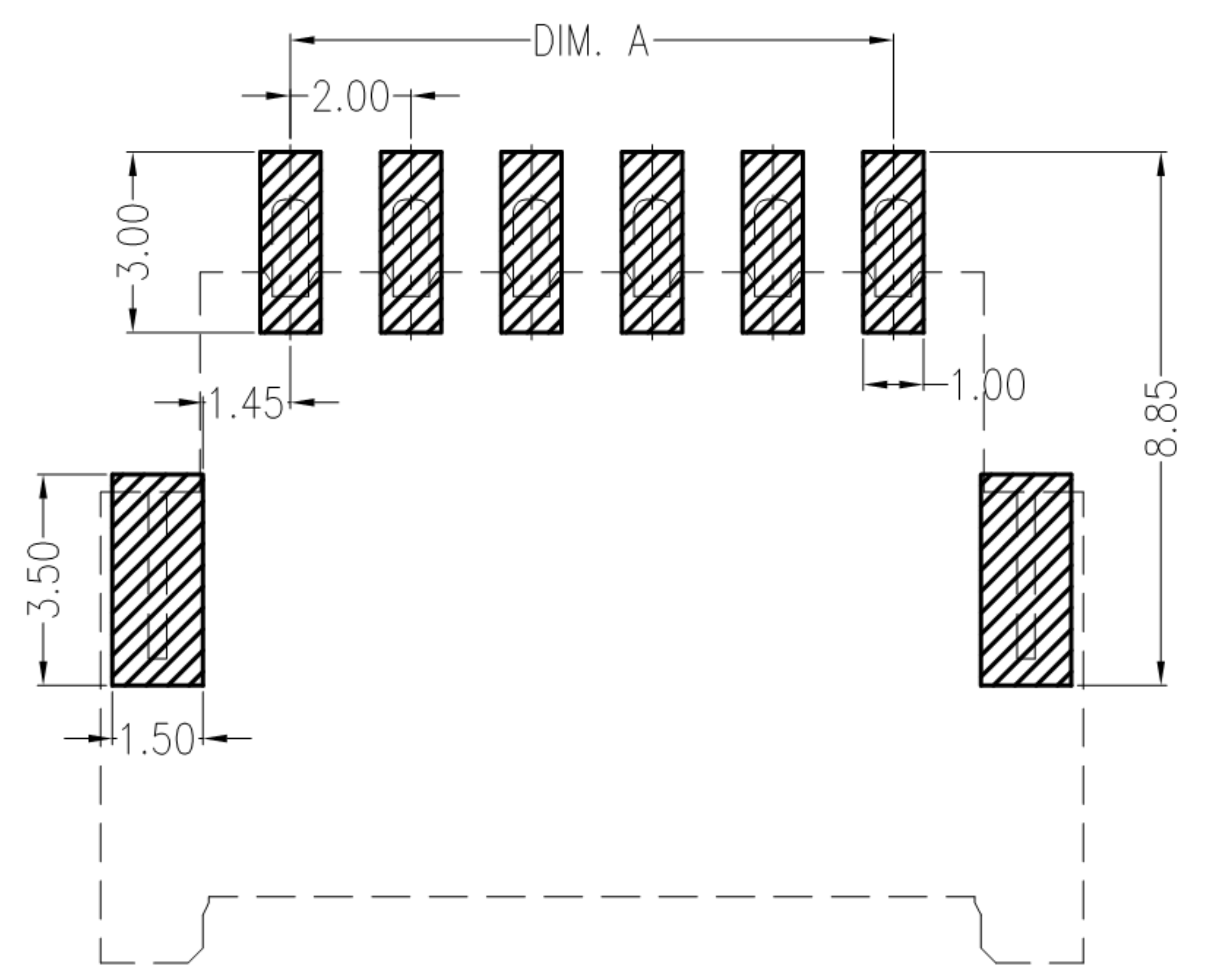
Assembly Layout



3D VIEWS

Specifications:

- Contact resistance: $\leq 20\text{m}\Omega$
- Insulation resistance: $\geq 1000\text{M}\Omega$
- Rated voltage: 125V AC DC
- Rated current: 2.0A AC DC
- Withstand voltage: 500V AC/minute
- Temperature range: $-40^{\circ}\text{C} \sim +120^{\circ}\text{C}$
- Housing: LCP, UL94V-0, Natural
- Contacts: Phosphor Bronze/Matte Sn
- Solder tabs: Brass/Matte Sn



SUGGESTED PCB LAYOUT

Circuits	Dimensions (mm)		
	DIM. A	DIM. B	DIM. C
02	2.00	6.80	8.30
03	4.00	8.80	10.30
04	6.00	10.80	12.30
05	8.00	12.80	14.30
06	10.00	14.80	16.30
07	12.00	16.80	18.30
08	14.00	18.80	20.30

NINGBO KLS ELECTRONIC CO; LTD		TITLE: 2.00mmPITCH 90°WAFER SMT TYPE	
GENERAL TOLERANCE		USE: CUSTOMER	PART NO.: L-KLS1-XH1-2.00-02-RM
X. ±0.50	X. ±5'	APPD: Shaojinghe	DWG NO.:
X.X ±0.30	X.X ±2'	CHKD: Zenglingqing	
X.XX ±0.20	X.XX ±1'	DR: Jiangjianyin	SCALE 1 : 1
UNITS: mm			SHEET 1 / 1