



EC-01F-Kit Specification

Version V2.0.1

Copyright ©2021

Disclaimer and copyright notice

Information in this article, including URL addresses for reference, is subject to change without notice.

Documentation is provided "as is" without any warranties, including any warranties of merchantability, fitness for a particular purpose or non-infringement, and any proposals, specifications or samples referred to elsewhere. This document shall not be liable for any infringement of any patent arising from the use of the information in this document. No license, express or implied, to use intellectual property rights is granted herein by estoppel or otherwise.

The test data in this paper are all obtained from acencor laboratory tests, and the actual results may vary slightly. All trade names, trademarks and registered trademarks mentioned herein are the property of their respective owners. The right of interpretation belongs to Shenzhen Anxin Technology Co., LTD.

Note

Due to product version upgrade or other reasons, the contents of this manual are subject to change.

Shenzhen Anxin Technology Co., Ltd. reserves the right to modify the contents of this manual without any notice or prompt.

This manual is only for use as a guide. Shenzhen Anxin Technology Co., Ltd. does its best to provide accurate information in this manual. However, Shenzhen Anxin Technology Co., Ltd. does not ensure that the contents of the manual are completely error-free. All statements, information and recommendations in this manual do not constitute a warranty of any kind, express or implied.

CONTENT

1. Product Overview.....	3
1.1. Character.....	4
2. Main parameters.....	5
2.1. Power supply selection.....	6
2.2. Electrostatic requirements.....	6
2.3. Electrical characteristics.....	7
2.4. NB-IoT Rf performance.....	7
2.5. Module power consumption.....	8
3. External Dimensions.....	9
4. Description of Indicators and Buttons.....	10
5. Pin definition.....	11
6. Schematic diagram.....	12
7. Product Model.....	13
8. Product Notes.....	14
9. Product packaging information.....	16
10. Contact us.....	16
Disclaimer and copyright notice.....	1
Note.....	1

1. Product Overview

EC-01F-Kit It is an NB-IoT development board developed by Ai-Thinker. The main chip scheme used in the NB-IoT part is EC616S. The ultra-integrated NB-IoT SoC development board supports ultra-low power consumption and fully supports the 3GPP Rel14 NB-IoT standard, making it an ultra-cost-effective NB-IoT chip.

It has the following characteristics (NB-IoT) :

- Are integrated with RF transceivers, PA, RF filters, antenna switches, and power management.
- Excellent communication performance and stability in a variety of wireless environments.
- Excellent power performance in various modes (PSM, DRX, eDRX, connected mode).
- Unique MCU mode, providing lower operating current and shorter wake up time.

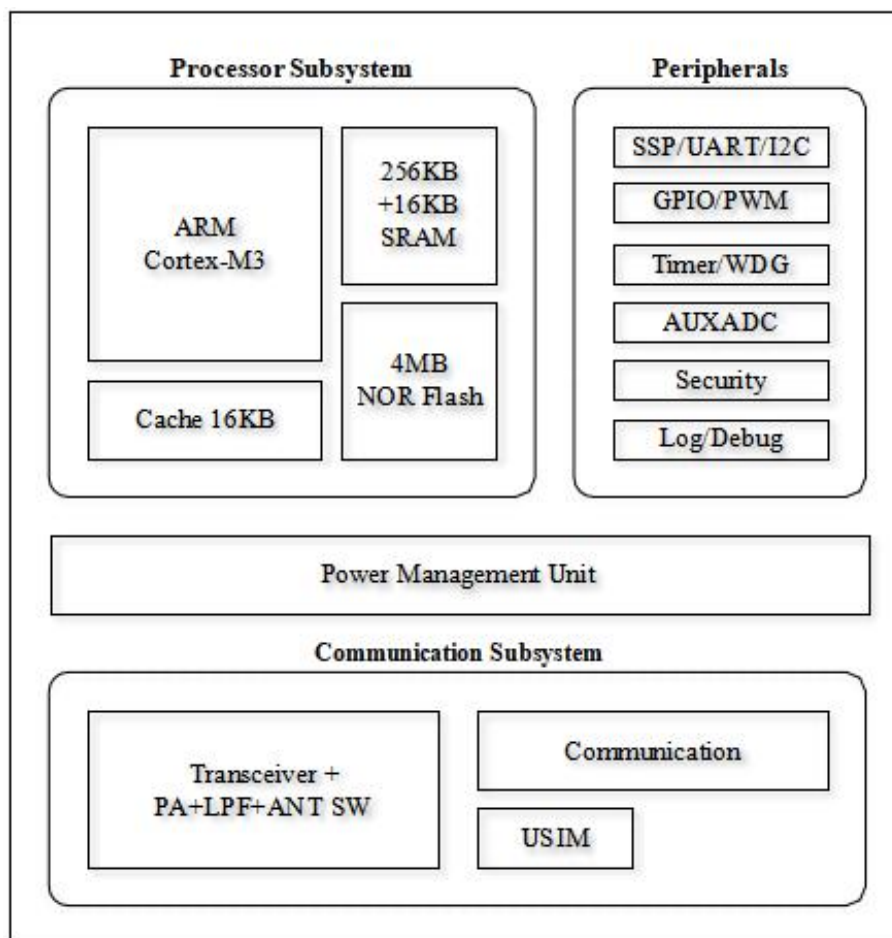


Figure 1 EC616S chip architecture diagram

1.1. Character

- Processor:
 - ✓ Cortex-M3, Support MPU
 - ✓ Configurable CPU frequency, Max 204MHz
 - ✓ 8-Channel DMA
- Storer:
 - ✓ 4MB NOR Flash on chip
 - ✓ 272KB WIW SRAM, divided into 256KB and 16KB
 - ✓ 16KB instruct cache
- System
 - ✓ Flexible Configuration Support 1.8/2.8/3.3V IO
 - ✓ Clock source: 26MHz TCXO or DCXO, 32.768khz crystal oscillator
 - ✓ 1 external wake up source (interrupt)
 - ✓ Unique MCU mode, in this mode, internal RC oscillator as the clock, lower power consumption
 - ✓ LOG □, UNILog
 - ✓ Debug port, SWD
- Peripheral
 - ✓ 8 GPIO (Include TX0\RX0 AND TX1\RX1)
 - ✓ 2 UART, 2 I2C
 - ✓ 5 PWM
 - ✓ 4 Channel 12-bit AUXADC
 - ✓ 1 SIM Booth
- Low power consumption:
 - ✓ Unique low power architecture, level 4 sleep mode
 - ✓ PSM: 800nA
 - ✓ DRX (2.56s): typical value 110uA
 - ✓ RX: typical value 10mA
 - ✓ TX: typical value 24mA
- Communication:
 - ✓ Fully support 3GPP R14 NB-IoT
 - ✓ Category NB2, 2-HARQ
 - ✓ Multi-tone NPUSCH

- ✓ Anchor and non-anchor carrier
- ✓ In-band same/different PCI, guardband, standalone
- ✓ Multi-carrier paging, NPRACH
- ✓ Positioning: OTDOA & ECID
- ✓ ROHC, RAI, multiple-DRB, RRC connection re-establish
- ✓ SC-PTM (need SW upgrade)
- Radio frequency:
 - ✓ Support the spectrum: Band3、Band5、Band8
 - ✓ chip integrates PA and supports APT function
 - ✓ chip integrated RF transceiver filter and antenna switch
 - ✓ Power level 3
- Safety:
 - ✓ Hardware Encryption and decryption module (AES, SHA) Secure boot
 - ✓ Flash encryption
 - ✓ True random number generator
- Application:
 - ✓ Support Open-CPU
 - ✓ software conforms to the CMSIS architecture
 - ✓ Supports mainstream cloud services
 - ✓ IPv4, IPv6 and non-IP
 - ✓ UDP, TCP
 - ✓ DTLS, TLS, SSL
 - ✓ MQTT, CoAP, HTTP(S)
 - ✓ LWM2M
 - ✓ Support FOTA
- Power supply voltage: support 5V Micro USB or 3.3V pin supply

2. Main parameters

Table 1 Main parameters

Development board Model	EC-01F-Kit
Adaptive pattern combination	EC-01F

Packaging	DIP-14 (2.54Spacing standard row needle)
Size	33.9*28.4*13(±0.2)mm
Antenna form	NB:External SMA antenna
Spectral Range	Band3, Band5, Band8
Working Temperature	-40 °C ~ 85 °C
Storage Environment	-40 °C ~ 125 °C , < 90%RH
Supply district	5V Micro USB or pin 3.3V power supply
Support interface	UART/I2C/PWM/ADC/GPIO
IO quantity	8(contain TX0\RX0 TX1\RX1)
Series Rate	Support 110 ~ 4608000 bps , Default9600 bps
Bluetooth	Nonsupport
Security	AES/SHA
Flash	4MB NOR Flash
Module Power Consumption	Sleep mode (PSM) : 0.9uA (Single Module) Standby mode (DRX) : 120uA (Single Module) Full load mode (TX: 23Bm) : 240mA (Single Module)

2.1. Power supply selection

You can power the EC-01F-Kit in either of the following ways:

- Micro-USB Interface power supply (default)
- 3V3 and GND Fixing pin power supply

Suggest to use the first power supply mode: Micro-USB port.

2.2. Electrostatic requirements

EC-01F-Kit is electrostatic sensitive equipment and special precautions should be taken when handling them.



Figure 2 ESD preventive measures

2.3. Electrical characteristics

Table 2 Electrical characteristics

parameter	condition	minimum	typical value	maximum	unit	
supply voltage (Micro-USB)	VDD	4.75	5	5.3	V	
I/O	V_{IL}/V_{IH}	-	-0.3/0.75V _{I0}	-	0.25V _{I0} /4.5	V
	V_{OL}/V_{OH}	-	N/0.8V _{I0}	-	0.1V _{I0} /N	V
	I_{MAX}	-	-	-	24	mA

2.4. NB-IoT Rf performance

Table 3 NB-IoT RF performance table

Band	Channel	1 Tone@11 (15KHz)				12 Tone (15KHz)			
		Pout (dBm)	EVM RMS (%)	SEM Margin (dB)	ACLR Max (dBc)	Pout (dBm)	EVM RMS (%)	SEM Margin (dB)	ACLR Max (dBc)
3	1201	22.5	0.9	4.9	-39.5	20.5	7	6	-40.8
	1575	22.5	0.9	3.8	-39	20.5	7	6	-41
	1949	22.5	0.9	4	-39	20.5	7	5	-40.5
5	2401	22.6	0.9	8	-42	20.4	7	7	-43
	2525	22.6	0.9	9	-42	20.4	6	6	-42.5
	2649	22.6	0.9	8	-42	20.4	7	7	-42.8

8	3451	22.5	0.9	7.5	-42.5	20.5	6	4	-42.5
	3625	22.5	0.9	8.5	-42	20.4	6	3.5	-41
	3799	22.5	0.9	5	-42	20.4	7	4.5	-40.5

2.5. Module power consumption

The following power consumption figures are based on a 3.3V power supply, ambient temperature at 25° C, and using an internal voltage regulator.

Table 4 Module power consumption table

Model	minimum	average value	maximum	Unit
Connect_Tx_23dBm_1Tone (Band3 Channel 1575 1842.5MHz)	-	120	240	mA
Connect_Tx_23dBm_1Tone (Band5 Channel 2525 881.5MHz)	-	110	226	mA
Connect_Tx_23dBm_1Tone (Band8 Channel 2625 942.5MHz)	-	108	215	mA
Connect_Rx_Band3	-	10	40	mA
Connect_Rx_Band5	-	16	46	mA
Connect_Rx_Band8	-	10	40	mA
DRX (2.56s)	-		110	μ A
PSM	-		<1	μ A

3. External Dimensions

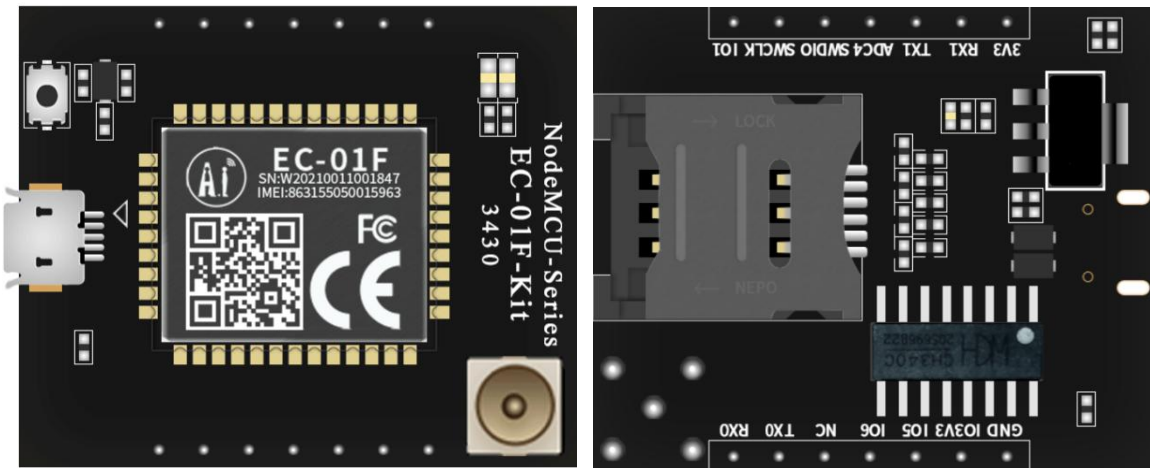


Figure 3 Appearance of development board (picture and silkscreen are for reference only, subject to the real object)

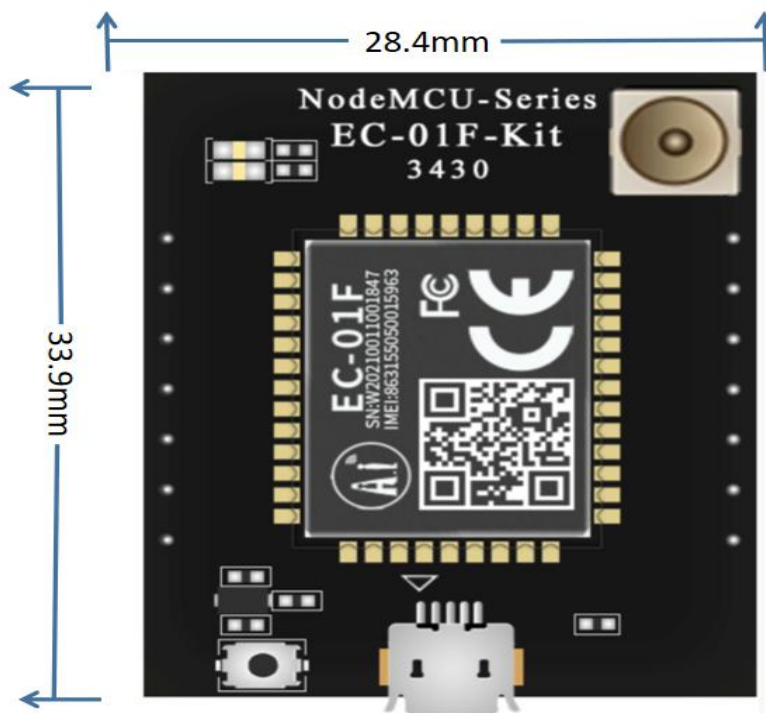


Figure 4 Development board size diagram

4. Description of Indicators and Buttons

EC-01F-Kit there are two indicators, the indicators are NB indicator and LINK indicator. A key is drawn as the "RST" key, as shown below:

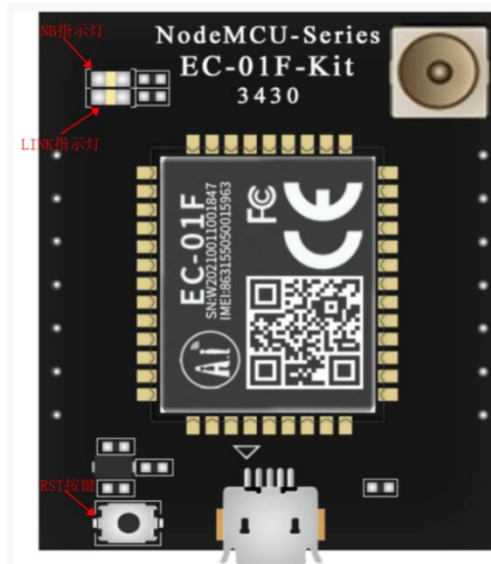


Figure 5 positions of indicators and buttons on the EC-01F-Kit

Table 5 Indicator status and button functions

Indicator light or button	Network state	LED status or Button Function	Remark
“NB” Indicator (Network status indicator)	Connected	1s Flashing once	Turn on the indicator mode (AT+ECLEDMODE=1)
	Search the Internet	0.5s Flashing once (quick flashing)	
	The network is disconnected or hibernated	Extinguish	
“LINK” Indicator	Failed to connect to server	Extinguish	The use of the “LINK” indicator must be configured with the AT+MODULETYPE=0 command after each power-on or reset of the development board
	Connected Server	Steady on (when connecting to the TCP server and ID=0)	
RST Key	/	Resetting Key	/

5. Pin definition

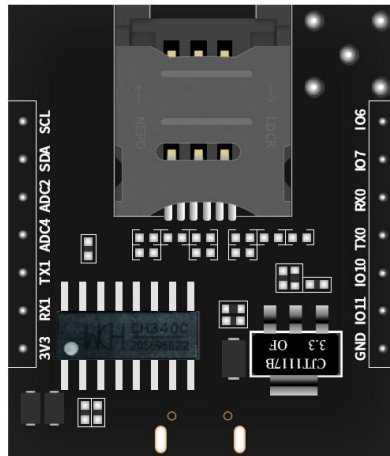


Figure 6 Schematic diagram of development board pins (bottom view)

EC-01F-KitA total of 14 interfaces are connected, such as pin schematic diagram, pin function definition table is the interface definition.

Table 6 Pin function definition table

Foot sequence	Name	Function Declaration
1	3V3	3.3V power supply
2	RX1	GPIO14/UART1_RXD
3	TX1	GPIO15/UART1_TXD
4	ADC4	ADC Channel AI04
5	SWDIO	SWDIO/Serial Wire Debug Data
6	SWCLK	SWCLK/Serial Wire Debug Clock
7	I01	GPIO1
8	RX0	GPIO8/UART0_RXD
9	TX0	GPIO9/UART0_TXD
10	NC	NC
11	I06	GPIO6/UART0_RSTn
12	I05	GPIO5
13	I03V3	I03V3
14	GND	Ground Connection

6. Schematic diagram

EC-01-Kit and EC-01G-Kit share a schematic.

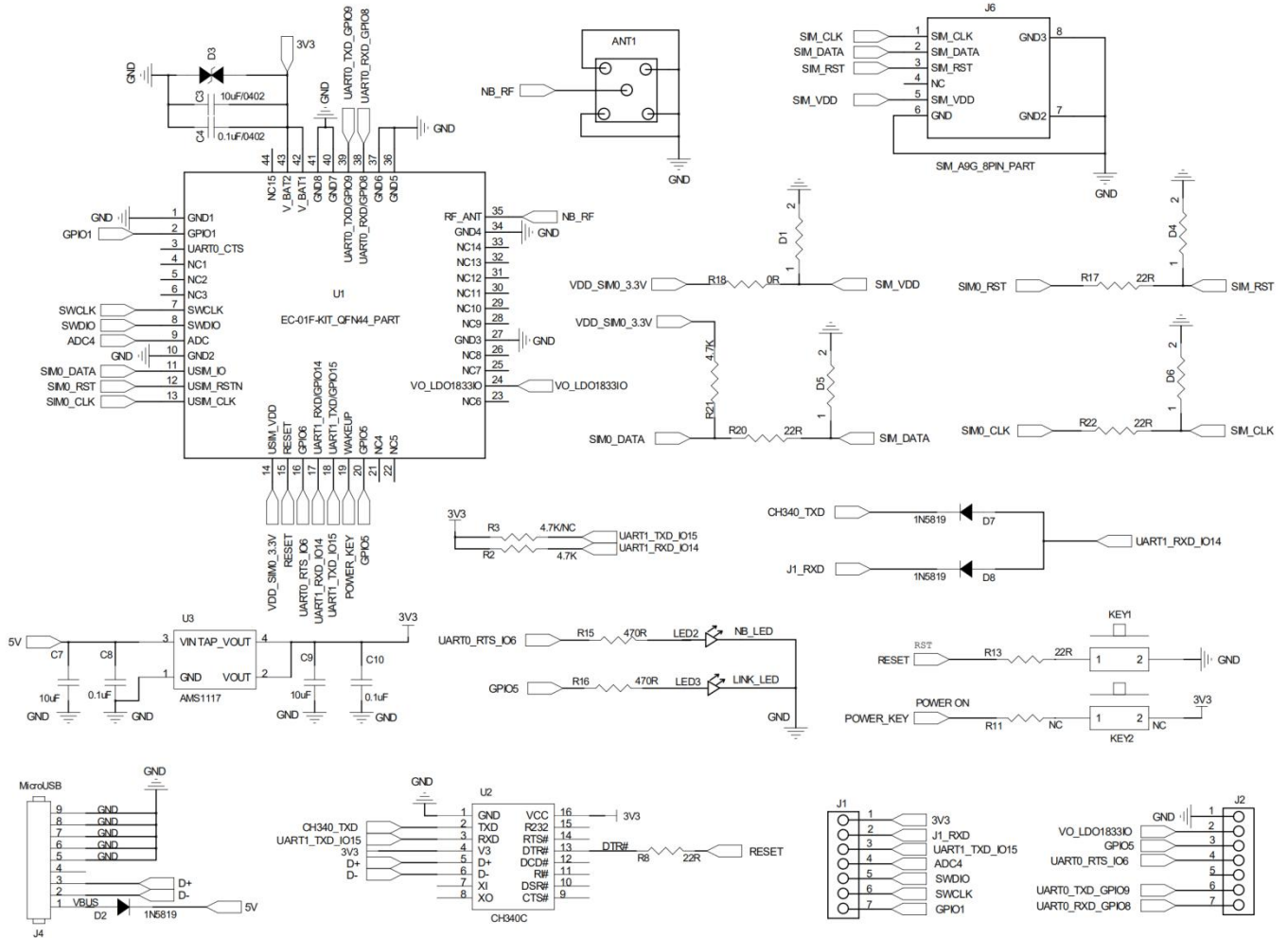


Figure 7 Schematic diagram of development board

7. Product Model

Table 7 Product model table

Product Model	Power Supply	Pin TX1 and RX1	Package	Size	GPS
EC-01 Module	3.3V ~ 4.5V, I>500mA	/	SMD-54	19.2*18.8*2.8 (±0.2)MM	No
EC-01G Module	3.3V ~ 4.5V, I>500mA	/	SMD-54	19.2*18.8*2.8 (±0.2)MM	Yes
EC-01F Module	3.3V ~ 4.5V, I>500mA	/	SMD-44	17.7*15.8*2.8 (±0.2)MM	No
EC-01-Kit_V1.0 Development Board	5V, I>500mA	Access not support	DIP-14	37.6*32.5 (±0.2) mm	No
EC-01G-Kit_V1.0 Development Board	5V, I>500mA	Access not support	DIP-14	37.6*32.5 (±0.2) mm	Yes
EC-01F-Kit_V1.0 Development Board	5V, I>500mA	Access not support	DIP-14	33.9*28.4*13 (±0.2)mm	No
EC-01-Kit_V2.0 Development Board	5V, I>500mA	Support access	DIP-14	37.6*32.5 (±0.2) mm	No
EC-01G-Kit_V2.0 Development Board	5V, I>500mA	Support access	DIP-14	37.6*32.5 (±0.2) mm	Yes
EC-01F-Kit_V2.0 Development Board	5V, I>500mA	Support access	DIP-14	33.9*28.4*13 (±0.2)mm	No
Product Information: https://docs.ai-thinker.com/nb_module					

8. Product Notes

EC-01F-Kit V1.0 version of the onboard micro-USB port and TX1, RX1 can only use one of the two for communication and recording, When the serial port chip as shown in Figure 8 exists, only onboard micro-USB port can be used for communication and recording. If you want to use TX1 and RX1 pin row for communication and burning need to remove the serial chip, In this case, the micro-USB port does not support communication and burning. Ec-01f-kit V2.0 Micro-USB port, TX1 and RX1 can be used for communication at the same time.

Figure 9 shows the differences between EC-01F-KIT V1.0 and EC-01F-Kit V2.0.

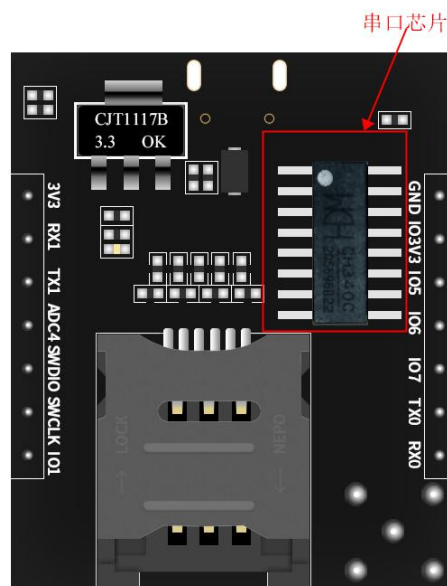


Figure 8 schematic diagram of serial port chip

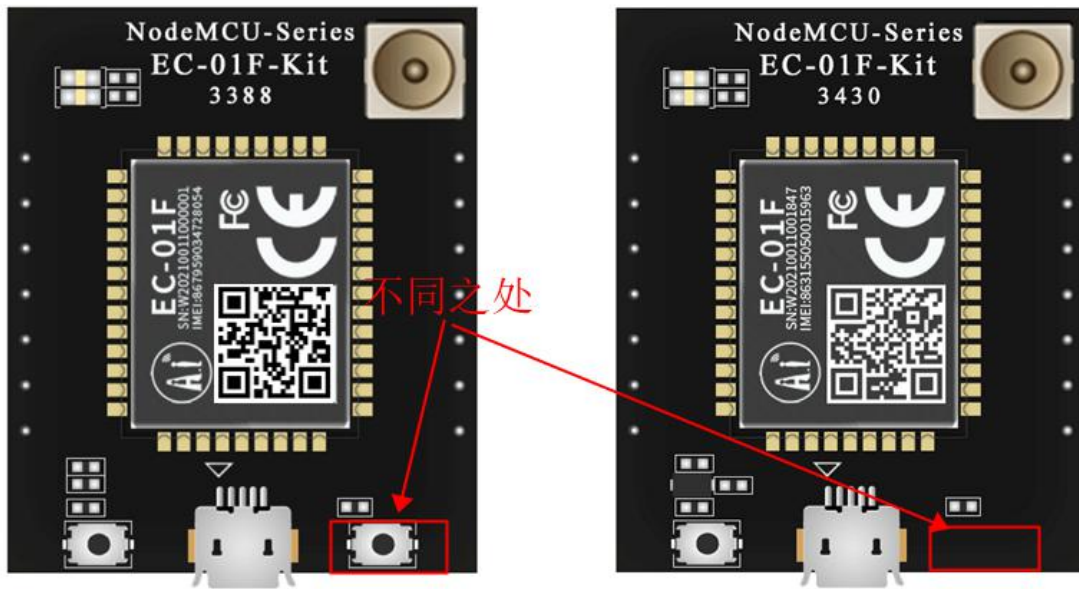


Figure 9 Difference between EC-01F-Kit V1.0(left) and EC-01F-Kit V2.0(right)

9. Product packaging information

EC-01F-Kit development board is packed in electrostatic bag, 1pcs/bag. As shown below:



Figure 10 Packing diagram of an ESD bag

10. Contact us

Official website: <https://www.ai-thinker.com>

Develop Wiki: <https://docs.ai-thinker.com>

Official forum: <http://bbs.ai-thinker.com>

Sample purchase: <https://aithinker.tmall.com>

<https://anxinke.taobao.com>

Business cooperation: sales@aithinker.com

Technical support: support@aithinker.com

Company Address: 7/F, Fengze Building B, Huafeng Industrial Park 2th, Hangkong street, Xixiang Raod, Baoan, Shenzhen China.

Telephone: 0755-29162996

