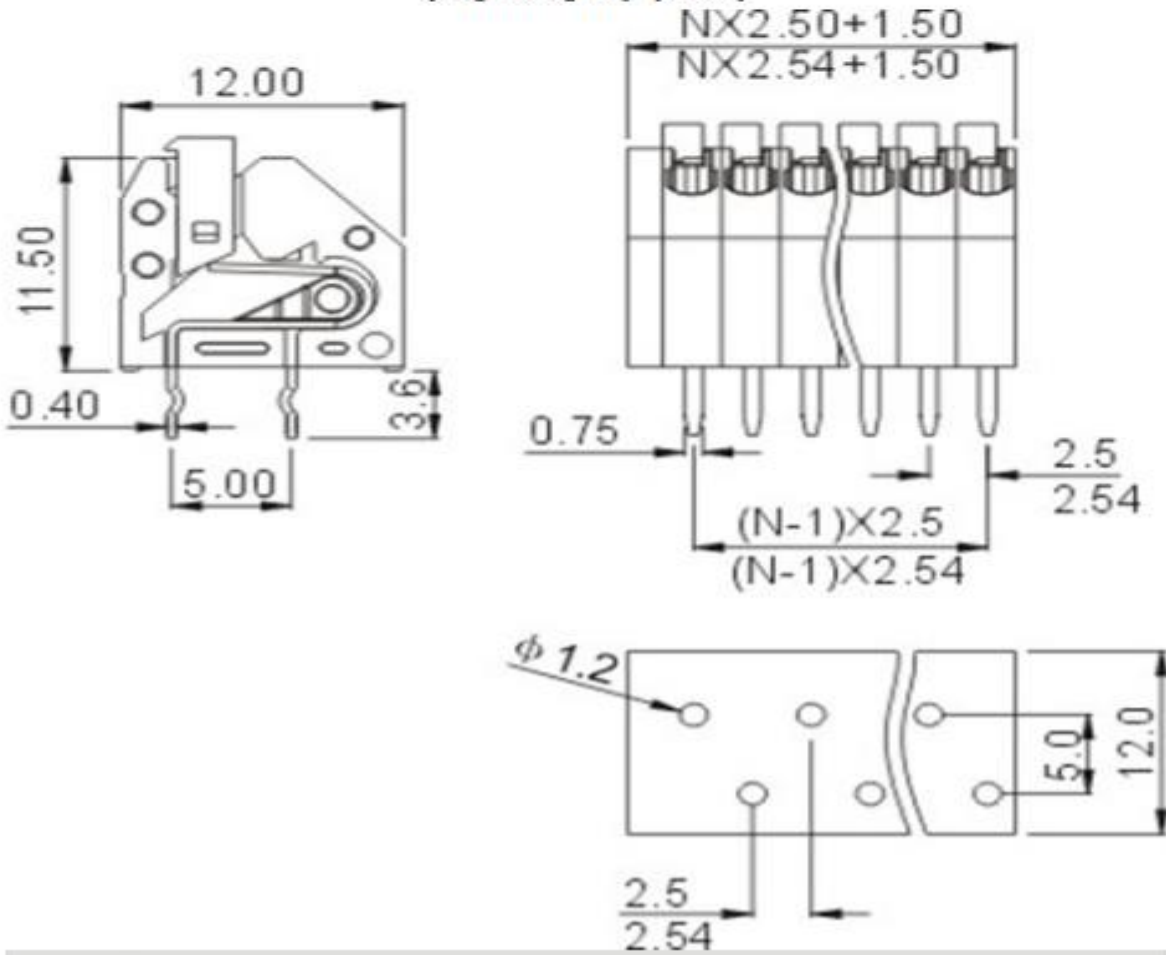


DA250-250

[Originaloriginal] [BACK]



TECHNICAL DATA:

Wire range	28-20AWG
Voltage rating	150v
Current rating	6A
Withstanding Voltage	1,500V
Strut length	9mm

MATERIAL:

Insulator (housing)	PA66, UL94V-0
Pin header	Brass Tin plated
Operating	-40°C to +105°C
Max soldering	+250°C For 5 seconds
