

1 2 3 4 5 6 7 8

A

B

C

D

E

F

A

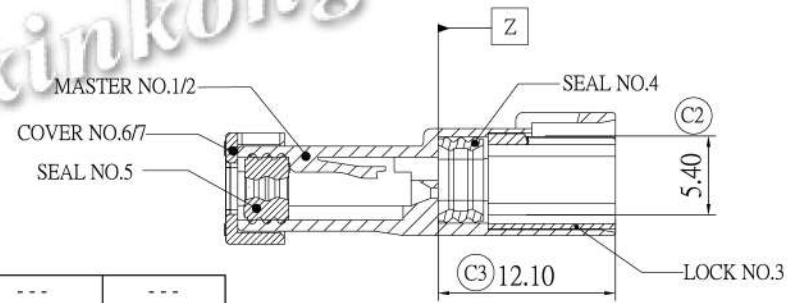
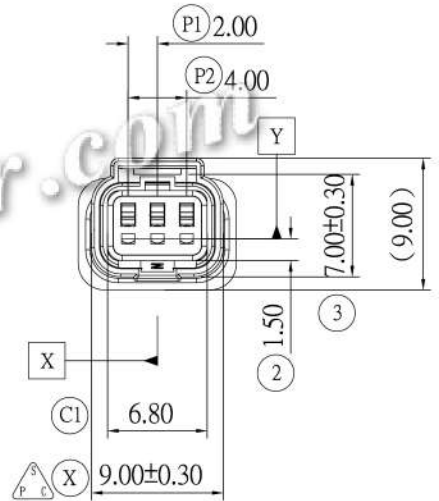
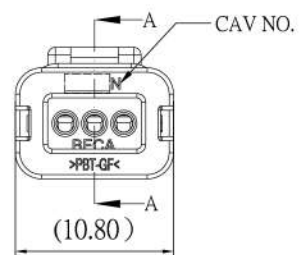
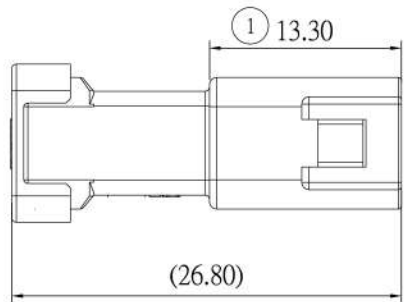
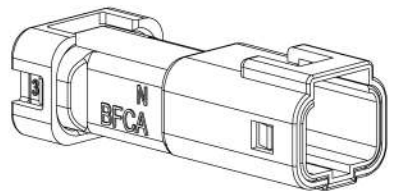
B

C

D

E

F



SECTION A-A

修訂 Revision					
記號 MARK	版本 REV.	修訂內容 DESCRIPTION	變更單 ECN	日期 DATE	繪圖 DWN.
	1.0	新版 NEW VERSION		2020.06.22	

說明:
 1.產品外觀要求:無有害收縮、流痕和毛刺
 2.產品淨重:1.3g
 3.通用氣密規格:98kPa·IP67

NOTE:
 1.Product Exterior Requirement: No Adverse Shrinking, Flow Marks and Burrs.
 2.Net weight of the product: 1.3g
 3.Airtightness Spec. (Specification): 98kPa·IP67

COVER	7	---	PBT+GF	BLACK	---	---
	6	---	PBT+GF	WHITE	---	---
SEAL	5	---	SILICONE	BLUE	---	---
SEAL	4	---	SILICONE	BROWN	---	---
LOCK	3	---	PBT	ORANGE	---	---
MASTER	2	---	PBT+GF	BLACK	---	---
	1	---	PBT+GF	WHITE	---	---
F.P.	---	CKK7035HB-0.7-11	2+3+4+5+7	PBT+GF	BLACK	CKK7035HB-0.7-21
	---	CKK7035H-0.7-11	1+3+4+5+6	PBT+GF	WHITE	CKK7035H-0.7-21
類別 Type	NO.	產品編號 Part Number	構成零件 Composed parts	材質 Material	顏色 Color	對手件 Counter P/No.
						配合端子 Applicable Ter.

材料 MATERIAL	SEE TABLE					UG
表面處理 FINISH	SEE TABLE					
核發單位 ISSUED BY	制定單位 INSTITUTED BY	核准 APPROVED BY	審核 CONFIRMED BY	制定 DRAWN BY	繪圖 DRAWER	

一般公差 Tolerances unless other specified	≤10.0	: ±0.20		
	10.0 < ≤50.0	: ±0.30		
	50.0 < ≤100.0	: ±0.55		
	100.0 < ≤250.0	: ±0.95		
	250.0 < ~	: ±1.40		
ANGLE		: ±0.5°		
圖紙 Size: A3	單位 Unit: mm	比例 Scale: 2:1	頁數 Sheet: 1/1	編碼 Code: N21



乐清市千工电器有限公司

型号: CKK7035H-0.7-11
CKK7035HB-0.7-11

1 2 3 4 5 6 7 8