

REV.	DESCRIPTION	DRAWN	CHECKED	APPROVED
A	NEW RELEASE	YCH 06/14/14'	~	LJC 06/14/14'
B	DRAWING UPDATE	JLZ 03/04/18'	~	

NOTES:

- MAIN SPECIFICATIONS
 - Housing material: NYLON 66
 - Wire range: AWG#28~#22
 - Rated voltage: 250V
 - Rated current: 3A AC/DC(22AWG)
 - Contact resistance: $\leq 30m\Omega$
 - Insulation resistance: $\geq 1000M\Omega$
 - Withstanding voltage: 500V,AC 1 minute
 - Temperature range: -25 ~ +85°C

2. PRODUCT NUMBER CODE:

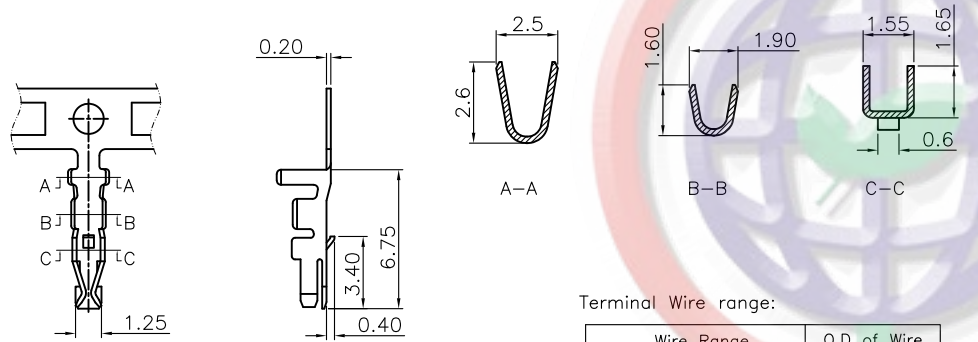
I-DS1066-01 - S C X 0 XX
 (Female Housing Only)

- X: No. of contact 2*2 to 2*20
- XX: Housing Color W: White

T-DS1066-01 - S C X 0 0
 (Female Terminal Only)

- X: Contact Plating 6: Tin

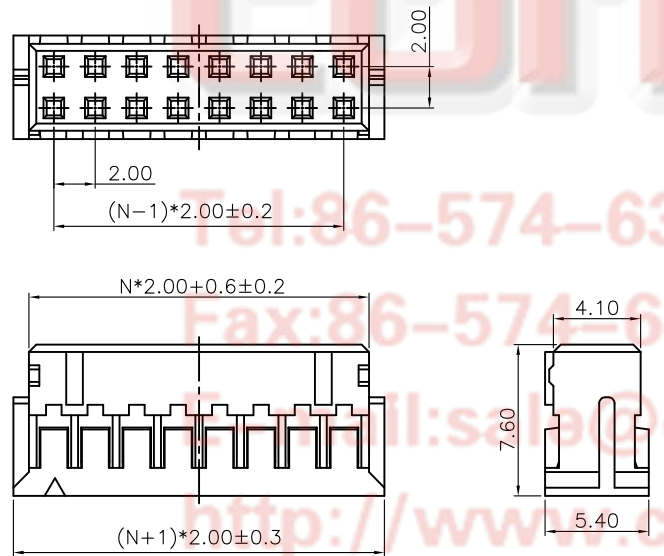
Female Terminal



Terminal Wire range:

Wire Range		O.D of Wire
Section Area (mm ²)	AWG	mm
0.08~0.33	#28~#22	1.2~1.9


Female Housing



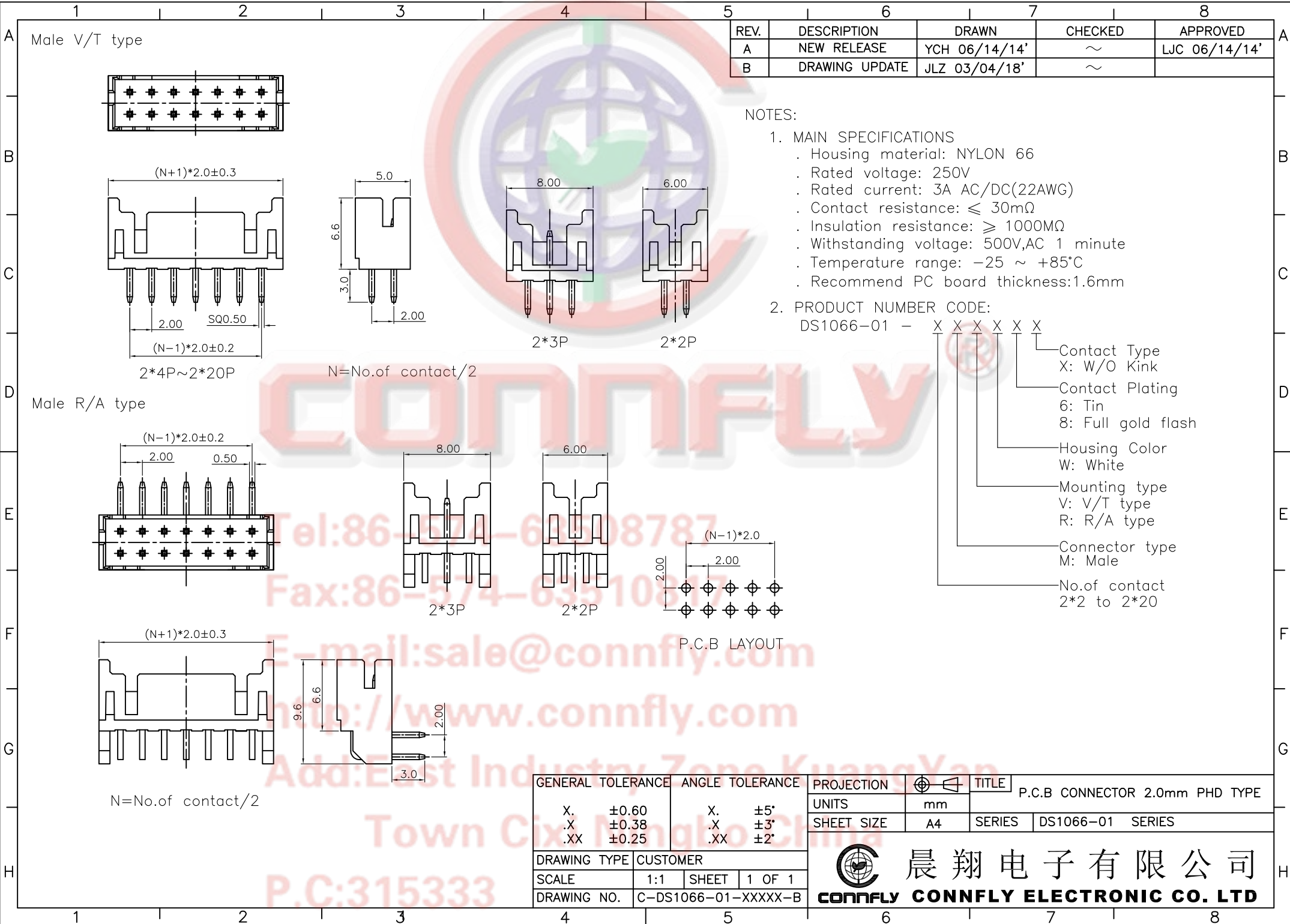
N=No. of contact/2

GENERAL TOLERANCE		ANGLE TOLERANCE	
X.	±0.60	X.	±5°
.X	±0.38	.X	±3°
.XX	±0.25	.XX	±2°
DRAWING TYPE		CUSTOMER	
SCALE	1:1	SHEET	1 OF 1
DRAWING NO.	C-DS1066-01-XXXXX-B		

PROJECTION	TITLE
UNITS	P.C.B CONNECTOR 2.0mm PHD TYPE
SHEET SIZE	SERIES DS1066-01 SERIES


晨翔电子有限公司
CONNFLY CONNFLY ELECTRONIC CO. LTD

Tel: 86-574-63508787
 Fax: 86-574-63510817
 Email: sales@connfly.com
 http://www.connfly.com
 Add: East Industry Zone, KuangYan Town, Cixi, Ningbo, China
 P.C: 315333



REV.	DESCRIPTION	DRAWN	CHECKED	APPROVED
A	NEW RELEASE	YCH 06/14/14'	~	LJC 06/14/14'
B	DRAWING UPDATE	JLZ 03/04/18'	~	

NOTES:

1. MAIN SPECIFICATIONS

- Housing material: NYLON 66
- Rated voltage: 250V
- Rated current: 3A AC/DC(22AWG)
- Contact resistance: $\leq 30m\Omega$
- Insulation resistance: $\geq 1000M\Omega$
- Withstanding voltage: 500V,AC 1 minute
- Temperature range: $-25 \sim +85^{\circ}C$
- Recommend PC board thickness: 1.6mm

2. PRODUCT NUMBER CODE:

DS1066-01 - X X X X X X

- Contact Type
X: W/O Kink
- Contact Plating
6: Tin
8: Full gold flash
- Housing Color
W: White
- Mounting type
V: V/T type
R: R/A type
- Connector type
M: Male
- No. of contact
2*2 to 2*20

GENERAL TOLERANCE		ANGLE TOLERANCE	
X.	± 0.60	X.	$\pm 5^{\circ}$
.X	± 0.38	.X	$\pm 3^{\circ}$
.XX	± 0.25	.XX	$\pm 2^{\circ}$

PROJECTION	TITLE
	P.C.B CONNECTOR 2.0mm PHD TYPE
UNITS	mm
SHEET SIZE	A4
SERIES	DS1066-01 SERIES

DRAWING TYPE	CUSTOMER
SCALE	1:1 SHEET 1 OF 1
DRAWING NO.	C-DS1066-01-XXXXX-B

晨翔电子有限公司
CONNFLY CONNFLY ELECTRONIC CO. LTD