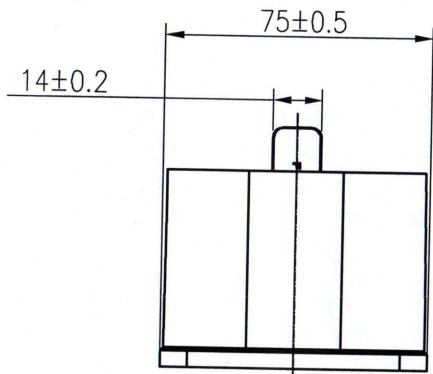
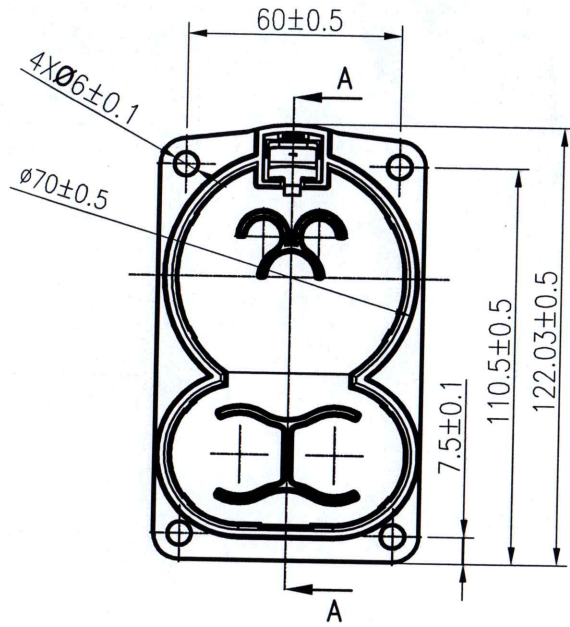
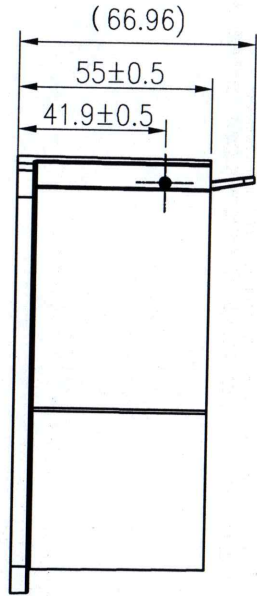


未注公差/General tolerances(mm)												0.05/10 ±1°	
0	>3	>6	>10	>18	>30	>50	>80	>120	>180	>250	>315		>400
±0.08	±0.12	±0.18	±0.22	±0.26	±0.31	±0.37	±0.57	±0.80	±0.93	±1.05	±1.15	±1.60	±2.20



Transfer or duplication of this document as well as the utilization or communication of its contents are prohibited unless explicit authorization is granted. Violations will be liable for compensation. All rights reserved for patent, utility model or designs registrations. 除专给于明确授权，否则，之此本文件的内容，未经授权不得复制或传播。 未经授权不得复制或传播。 除专给于明确授权，否则，之此本文件的内容，未经授权不得复制或传播。

使用温度范围/Operating temperature(°C)	-30~+50
重点管控制符号/Key controlled symbol	*
标准/Reference standard	IEC 62196-2:2016

MATERIAL: /	SURFACE: /	
MAT.NO.:	宁波高松电子有限公司 NINGBO DEGSON ELECTRICAL CO., LTD	
STATUS: /		
APPD:	Description:	
CHKD: Cao WT 2022.3.31	FEDC-V-03-01A(H)	
DRFT: Hu MY 2022.03.31	DRAWING NO.:	REV DO-1
⊕ SIZE: A4	TYPE: PRODUCT DRAWING	SCALE: 1:3 SHEET 1/1

REV	ECN	DESCRIPTION	DRFT	DATE