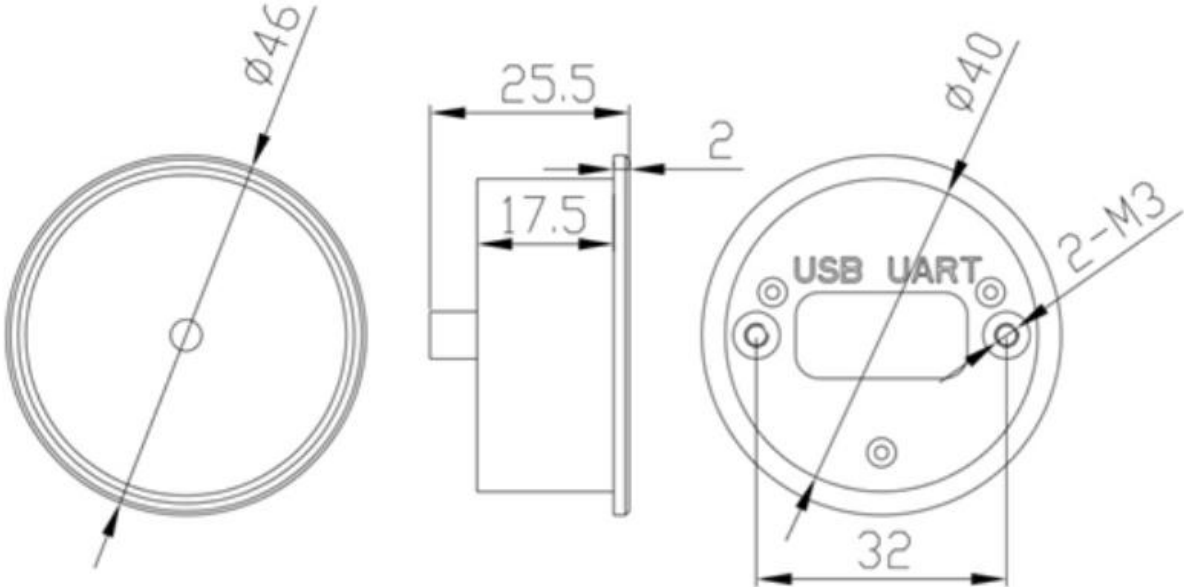


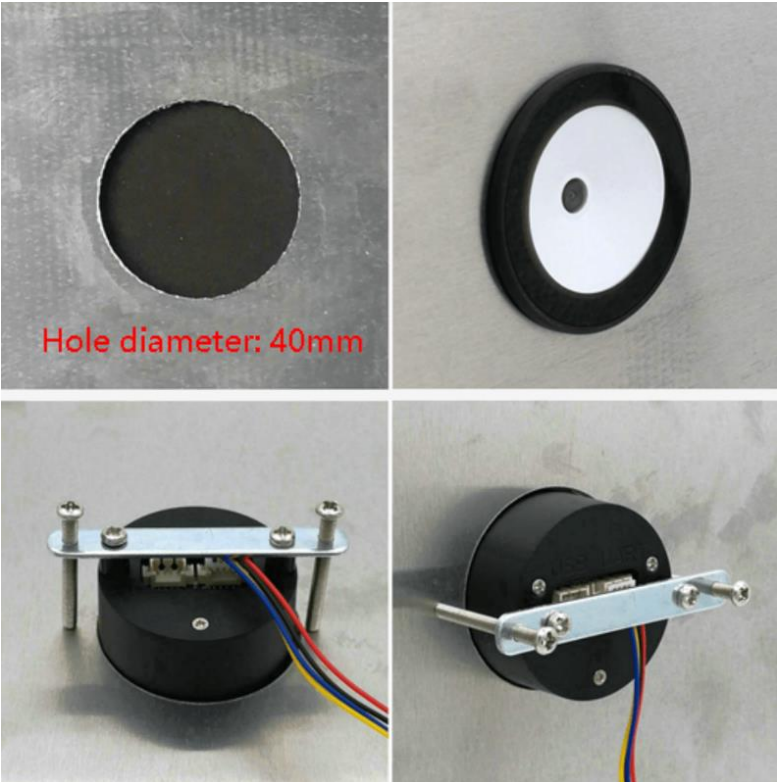
GM73 Barcode & QR Code Scanning Module

INTRODUCTION

The GM73 code reader module is a high-performance code scanner that can capture common 1D and 2D codes like Barcode and QR on labels, papers, or even screens at a high speed of about 1s.



The module comes with superior reading performance utilizing advanced decoding algorithms based on smart image recognition, which is able to read all kinds of codes accurately. The scanner allows users to configure parameters by scanning setup codes, greatly reducing development difficulty. Besides, it has onboard micro USB and UART and can be conveniently embedded into various devices like self-service vending machines, metro gates, access control, checkout counter, and so on.



FEATURES

Smart image recognition

Capture speed of about 1s

Onboard micro USB and UART

APPLICATIONS

Self-service vending machine

Metro gate

Access control

Checkout counter

SPECIFICATION

Sensor: 640*480 CMOS

Illumination: white LED

Focus: red LED

1D Codes Supported: EAN, UPC, Code 39, Code 93, Code 128, UCC/EAN 128, Codabar, Interleaved 2 of 5, MSI-Plessey, GS1 Databar, Code 11, Industrial 25, Standard 25, Matrix 2 of 5

2D Codes Supported: QR Code, Data Matrix, PDF417

Reading Accuracy: $\geq 5\text{mil}$

Depth of Field: 30-150mm (Starting from the front camera, the mobile phone screen size of 5.2")

Scanning Angle: intersection angle 360° , elevation $\pm 55^\circ$, deflection angle $\pm 55^\circ$

Viewing Angle: Inclination 60° , Elevation 46°

Contrast: $\geq 25\%$

Interface: TTL-232, USB

Dimension: about $30*24*7\text{mm}$ / $1.18*0.94*0.28''$

Operating Voltage: DC 5V

Operating Current: $\leq 180\text{mA}$

Ambient Light: $0\sim 10000\text{lux}$

Operating Temperature: $-20^\circ\text{C}\sim 50^\circ\text{C}$

Storage Temperature: $40^\circ\text{C}\sim 70^\circ\text{C}$

Operating Humidity: $5\%\sim 95\%$ (Non-condensing)

SHIPPING LIST

GM73 Barcode & QR Code Scanning Module x1

USB Cable x1

TTL Adapter x1

