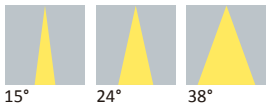




Datasheet

LL01ZZ-DRYxxL06-M2

Available Distribution



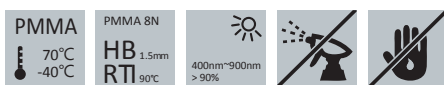
LED



Recommnd Applications



General Information



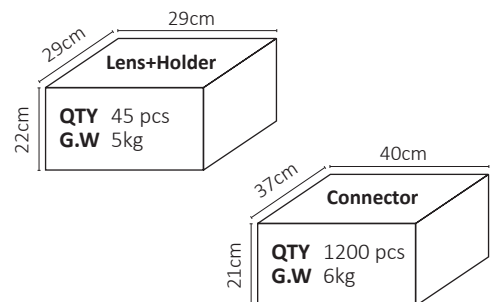
- Lens Material PMMA 8N
- Operating Temperature -40°C~+70°C
- UL Flammability HB @1.5mm
- UL RTI Elec 90°C @1.5mm
- Light Transmission Rate 400nm~900nm > 90%
- ☑ If necessary, Clean lenses with mild soap, water and soft cloth.
- ⚠ Never use any commercial cleaning solvents on lenses, like alcohol.
- 🧤 Please handle or install lenses with wearing gloves, skin oils may damage lens or its optical characteristic.

Dimensions

Part Number	Diameter	Height
LL01ZZ-DRYxxL06-M2	∅ 68.5	28.5

*All dimensions are in millimeters.

Packaging Details (SPQ)



Accessories

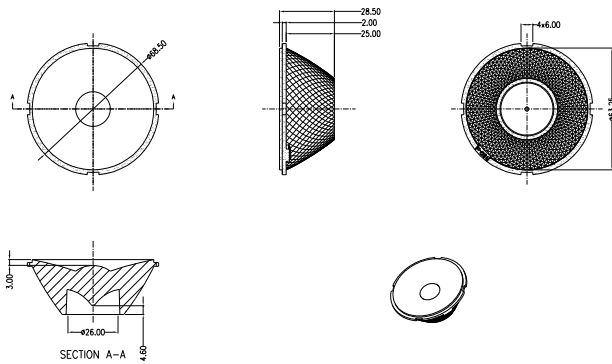


- Available with Holder
LL01ZZM15H2
- Available with Connector
LL01A00CXFB2 (CREE CXA1520)
LL01A00CWMB2 (CREE CXA1830)
LL01A00CXGB2 (CITIZEN CLU028)

Mechanical Specification

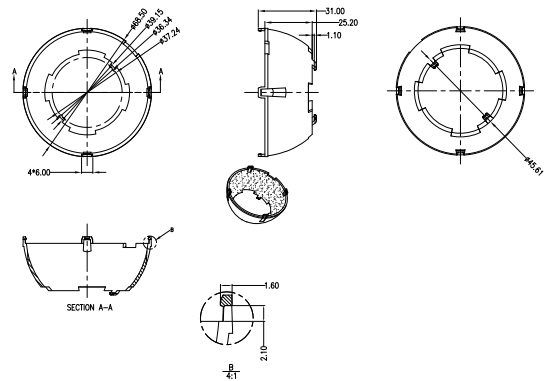
*All dimensions are in millimeters.

Lens Dimension



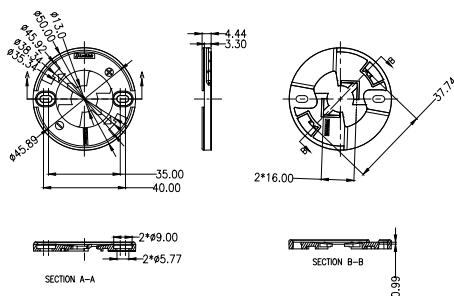
Holder Dimension

LL01ZZM15H2



Connector Dimension

LL01A00CXB2



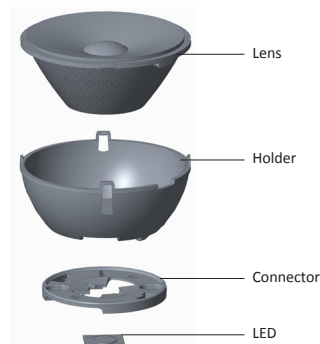
Assembly Instruction

Fixing Method

Part No LL01ZZ-DRYxxL06
Holder LL01ZZM15H2
Connector LL01A00CXB2
LED CREE CXA1520

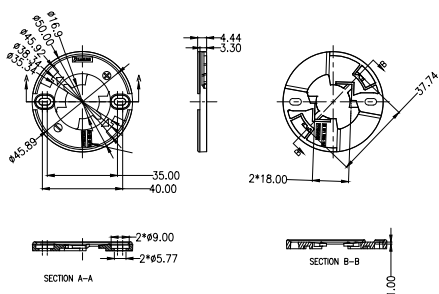


Luminarie Accessories



Connector Dimension

LL01A00CWMB2



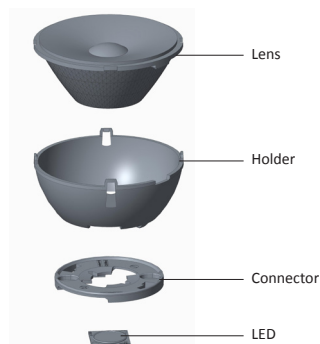
Assembly Instruction

Fixing Method

Part No LL01ZZ-DRYxxL06
Holder LL01ZZM15H2
Connector LL01A00CWMB2
LED CREE CXA1830



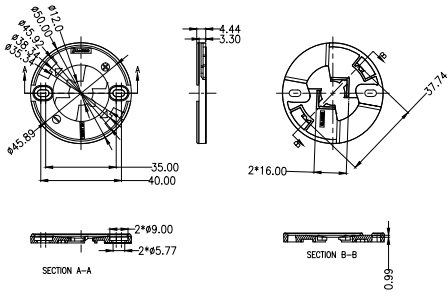
Luminarie Accessories



Connector Dimension



LL01A00CXGB2



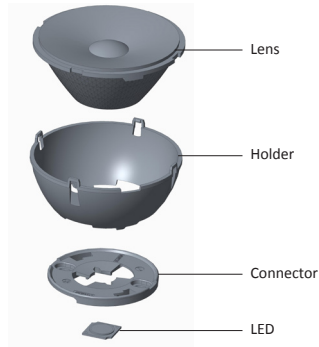
Assembly Instruction

Fixing Method

Part No LL01ZZ-DRYxxL06
 Holder LL01ZZM15H2
 Connector LL01A00CXGB2
 LED CITIZEN CLU028



Luminaire Accessories



Photometric Distribution



CITIZEN
CLU028



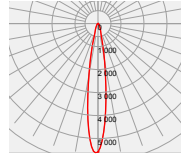
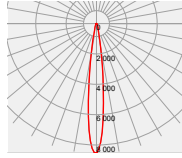
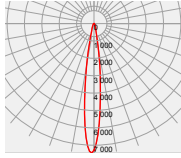
CREE
CXA1520



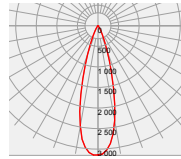
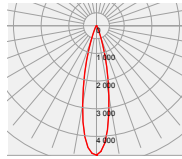
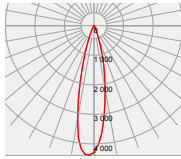
CREE
CXA1830

LED

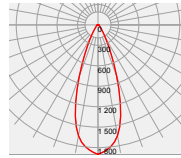
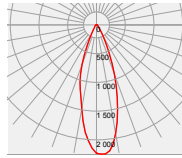
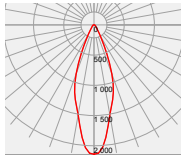
15°










24°















38°

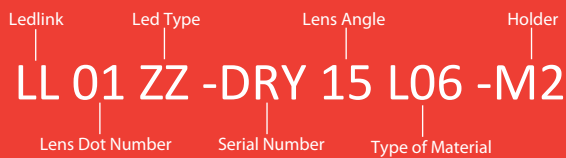


Details by LED

Part No	Holder	Connector	LED Size	LED
LL01ZZ-DRYxxL06-M2			Ø8.9	 CREE CXA1520
	LL01ZZM15H2	LL01A00CXFB2		
			Ø16	 CREE CXA1830
			Ø9.8	 CITIZEN CLU028
		LL01A00CXGB2		

LED	Part No	FWHM	cd / lm	IES
 CITIZEN CLU028	LL01ZZ-DRY15L06-M2	13°	7.4	
	LL01ZZ-DRY24L06-M2	23°	4.3	
	LL01ZZ-DRY38L06-M2	34°	2.1	
 CREE CXA1520	LL01ZZ-DRY15L06-M2	12°	8.5	
	LL01ZZ-DRY24L06-M2	22°	4.6	
	LL01ZZ-DRY38L06-M2	32°	2.2	
 CREE CXA1830	LL01ZZ-DRY15L06-M2	15°	5.6	
	LL01ZZ-DRY24L06-M2	28°	3.1	
	LL01ZZ-DRY38L06-M2	36°	1.8	

Product Nomenclature



Ledlink Optics, Inc Taiwan HQ

15F, No.655, Bannan Rd., Chung-Ho Dist.,
New Taipei City, Taiwan 235

Ledlink Optics (Dongguan) Co., Ltd Dongguan Factory

No.5, TianKeng Industrial Dist., HengLiTown, DongGuan City,
GuangDong Province, China 523478

Ledlink Optics (Yangzhou) Co., Ltd Yangzhou Factory

No.180, LinJiang Rd., YangZhou City, Jiangsu Province, China 225009

www.ledlink-optics.com

service@ledlink-optics.com

