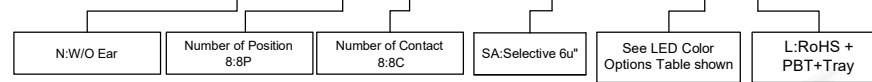


**MATERIAL:**  
 HOUSING : PBT,UL94V-0,BLACK.  
 TERMINALS BRACKET: PBT,UL94V-0,BLACK.  
 SHIELD: C2680,T=0.20MM,NICKEL PLATING ON ALL AREA.  
 TERMINAL: PHOSPHOR BRONZE C5210,T=0.35MM,

## ORDER INFORMATION

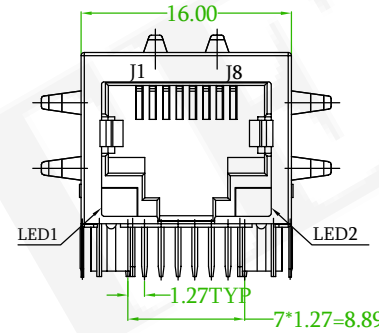
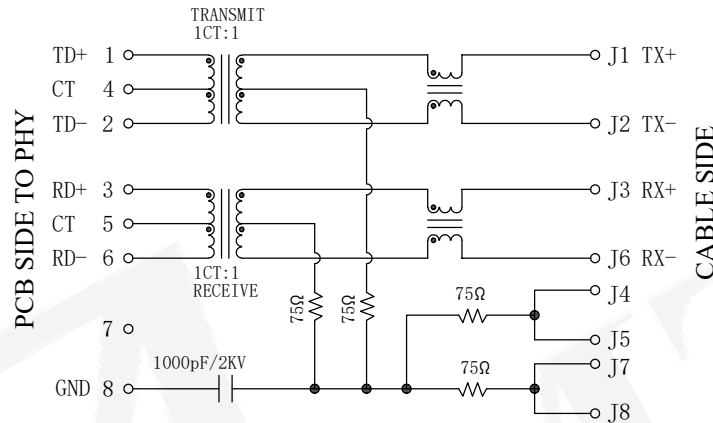
5 R T 1 D R 2 0 R 2 N - 8 8 S A S X L - 111 - R 1



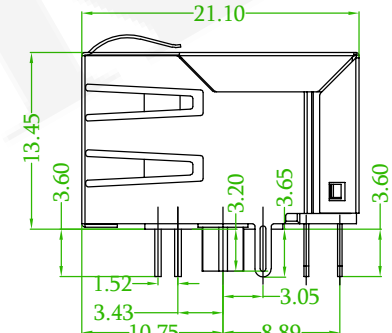
AMTEK 禮德  
 2020.09.03  
 Released DCC

**MECHANICAL:**  
 DURABILITY : 750 CYCLES MIN.  
 MATING FORCE : 23N MAX.  
 OPERATING TEMPERATURE: -40°C~+85°C.  
 STORAGE TEMPERATURE: -40°C~+85°C.  
 ALL CRITICAL DIMENSIONS WITH "\*"

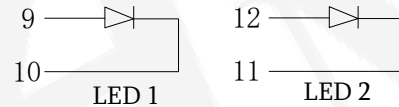
- Electrical:**
- Turn Ratio: 1~2: J1~J2=1CT:1CT(±2%).  
3~6: J3~J6=1CT:1CT(±2%).
  - OCL: 350uH Min. at 100KHz 100mV 8mA DC.
  - Insertion Loss: -1.0 dB Max 1~100MHz.
  - Return loss: -18dB Min 1~30MHz;  
-14dB Min 30~60MHz.  
-10dB Min 60~100MHz.
  - Cross talk: -40dB Min 1~30MHz;  
-35dB Min 30~60MHz;  
-30dB Min 60~100MHz;
  - CMR: -30dB Min 1~100MHz;
  - Hi-Pot: 1500V AC & 2250V DC  
6S 1mA PRI TO SEC



FRONT VIEW



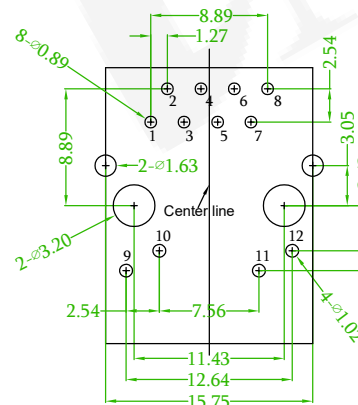
RIGHT SIDE VIEW



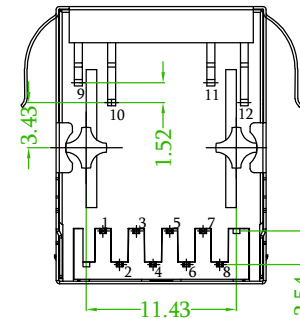
LED Color Options Table		
Left(LED1)	Right(LED2)	No.
Yellow	Green	1
Yellow	Yellow	2
Green	Yellow	3
Green	Green	4

### LED Specification

Standard LED Color	LED Wavelength	Foward(A)	Foward(V)
Green	568nm	20mA	1.85-2.45V
Yellow	585nm	20mA	1.7-2.2V



RECOMMENDED PCB LAYOUT  
 VIEWED FROM COMPONENT SIDE



BOTTOM VIEW

 禮德精密有限公司 Amtek Technology Co., Ltd. TEL: 886-2-2260-6878 FAX: 886-2-2260-8030	品名 TITLE	MODULAR JACK SHELLLED R/A TYPE			頁數 Page	1/1
	品號 PART NO.	5RT1DR20R2N-88SASXL-111-R1			繪圖 DRAWN	Nick 2019/07/11
	圖號 DRAWING NO.	GN169-NI269	版本 REV.	B	核對 CHECKED	Josh 2019/07/11
	客戶品號 CUSTOMER P/N		比例 SCALE	None	承認 APPROVED	Josh 2019/07/11
	公差 TOLERANCE	.X ±0.30 .XX±0.25	單位 UNIT	mm	THIRD ANGLE PROJECTION	

Bx3	Add the LED Color Options Table	Benson	2020/09/02
REV.	ECN NO. OR DESCRIPTION	REVISED	DATE