

ORDER INFORMATION

5 R T 1 D R 2 0 F 3 N - 6 8 S A P S L - 3 1 1 - R 1

MATERIAL:

HOUSING: PA66,UL94V-0,BLACK.
 TERMINALS BRACKET: PA66,UL94V-0,BLACK.
 SHIELD: C2680,T=0.20MM,NICKEL PLATING ON ALL AREA.
 TERMINAL: PHOSPHOR BRONZE C5210,T=0.35MM,
 6U" GOLD PLATING ON CONTACT AREA.

N:W/O Ear

SA:Selective 6u"

L:RoHS+PA66+Tray



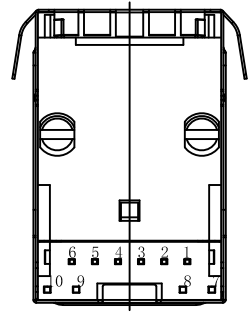
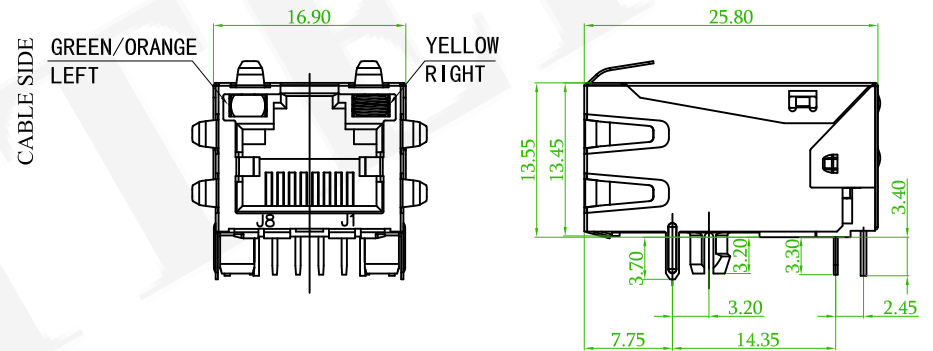
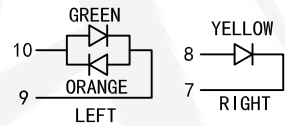
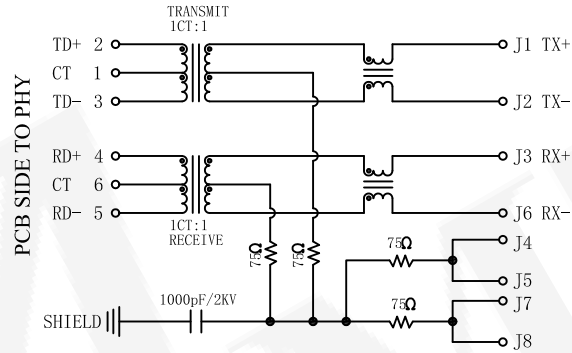
AMTEK 糧德
 2019.01.03
 Released DCC

MECHANICAL:

DURABILITY: 750 CYCLES MIN.
 MATING FORCE: 23N MAX.
 OPERATING TEMPERATURE: -40°C~+85°C.
 STORAGE TEMPERATURE: -40°C~+85°C.

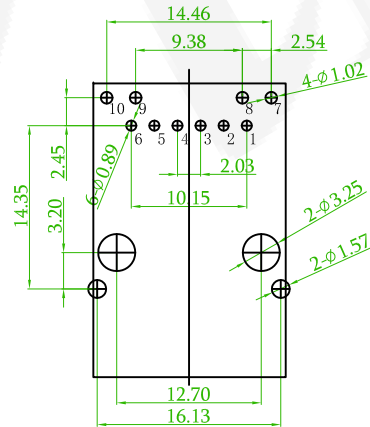
Electrical:

- Turn ratio: 2~3: J1~J2=1CT:1CT(±2%),
4~5: J3~J6=1CT:1CT(±2%).
- OCL: 350uH Min. at 100KHz 100mV 8mA DC.
- Insertion Loss: -1.0 dB Max 1~100MHz.
- Return loss: -20dB Min 1~10MHz;
-16dB Min 10~30MHz;
-12dB Min 30~60MHz;
-10dB Min 60~80MHz.
- Cross talk: -40dB Min 1~30MHz;
-35dB Min 30~60MHz;
-30dB Min 60~100MHz;
- CMR: -30dB Min 1~100MHz;
- Hi-Pot: 1500V AC & 2250V DC
6S 1mA PRI TO SEC



LED Specification

Standard LED Color	LED Wavelength	Foward(A)	Foward(V)
Green	568nm	20mA	1.85-2.45V
Yellow	585nm	20mA	1.7-2.2V
Orange	585nm	20mA	1.85-2.45V



RECOMMENDED PCB LAYOUT
 VIEWED FROM COMPONENT SIDE

 糧德精密有限公司 Amtek Technology Co., Ltd. TEL: 886-2-2260-6878 FAX: 886-2-2260-8030	品名 TITLE	MODULAR JACK SIDE ENTRY				頁數 Page	1/1
	品號 PART NO.	5RT1DR20F3N-68SAPSL-311-R1				繪圖 DRAWN	Roy 2019/01/03
	圖號 DRAWING NO.	GN169-R1109		版本 REV.	A	核對 CHECKED	Josh 2019/01/03
	客戶品號 CUSTOMER P/N			比例 SCALE	None	承認 APPROVED	Jason 2019/01/03
	公差 TOLERANCE	.X ±0.30 .XX ±0.25	單位 UNIT	mm	THIRD ANGLE PROJECTION		

REV.	ECN NO. OR DESCRIPTION	REVISED	DATE