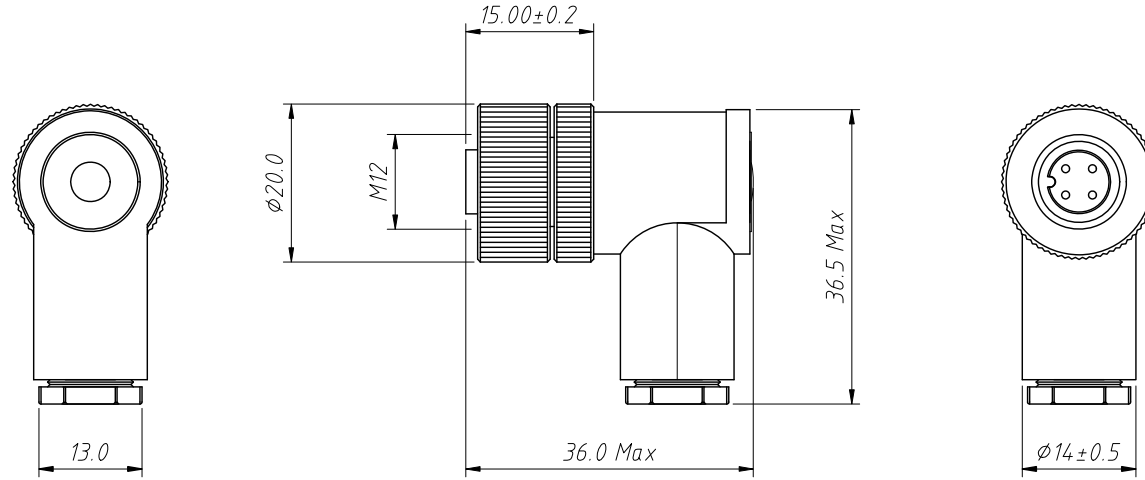


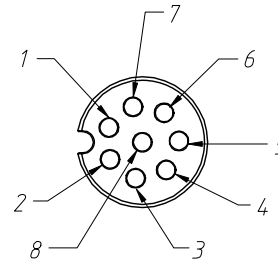
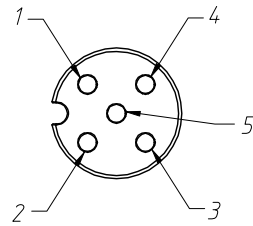
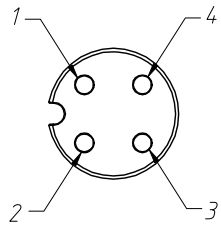
1 RoHS Compliance



Material:
 Insulation:PBT/PA,UL 94 V-0,Black.
 Connector Pin:Brass,0.025u"Gold plated
 Nut/Screw:Brass,Nickel plating

Electrical Characteristics:
 Contact Resistance:5mΩ Max
 Insulation resistance:100 MΩ Min

Mechanical properties:
 IP rating:IP67
 Wire gauge:24AWG/0.25mm²
 Mechanical characteristics:mating/cycle>100 cycle
 Operating Temperature:-40°C ~ + 85°C



L-KLS15-M12A-TR204PG7

L-KLS15-M12A-TR205PG7

L-KLS15-M12A-TR208PG7

Order Information:

L-KLS15-M12 A-TR2 04 PG7

L: RoHS

Screw type:M12

A:A-Coding

Type:

TR1:R/A Plug Code (Male Pin)

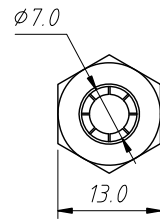
TR2:R/A Plug Code (Female Pin)

Number of Contacts:

(04P 05P 08P)]

Cable outlet PG7 or PG9

No. of Pin	04 P	05 P	08 P
Rated current	4A	4A	2A
Rated voltage	250V	60V	30V



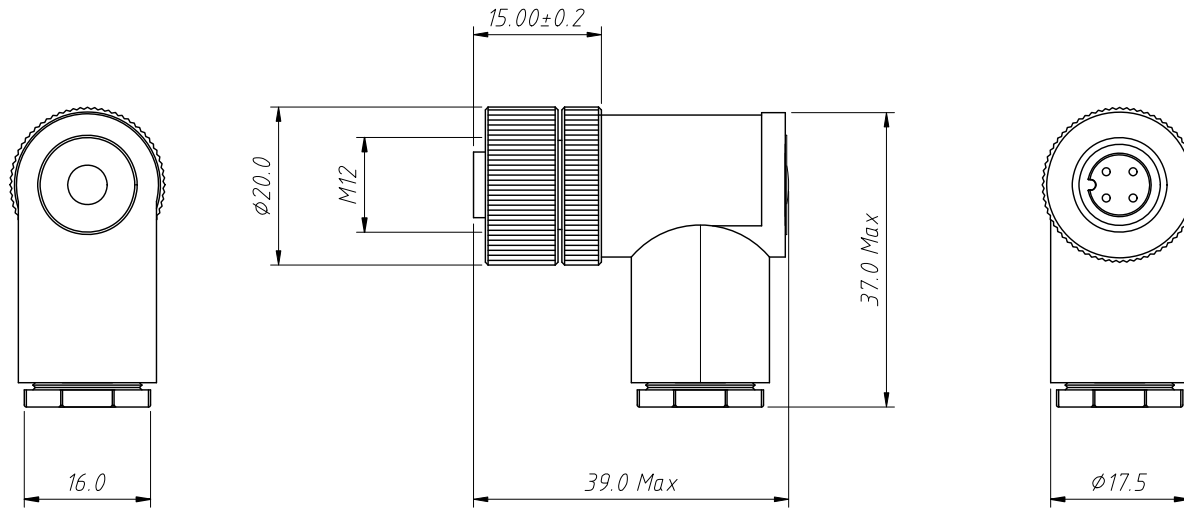
Cable outlet
PG7

ANGLE TOLERANCE	PROJECTION	Description:
±3°		M12 IP67 Waterproof circular plug Female connector
GENERAL TOLERANCE	UNITS	mm
x.x ±0.30	SHEET SIZE	A4
x.xx ±0.20	Draw:	Daniel 2022-04-01
x.xxx ±0.10	Check:	Daniel 2022-04-01



NingBo KLS ELECTRONIC CO.,L TD.

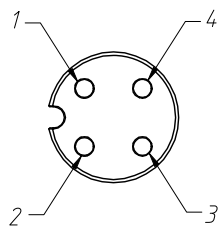
1 RoHS Compliance



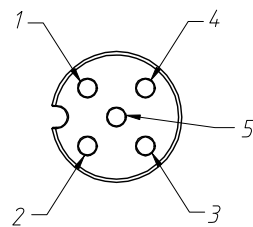
Material:
 Insulation: PBT/PA, UL 94 V-0, Black.
 Connector Pin: Brass, 0.025u" Gold plated
 Nut/Screw: Brass, Nickel plating

Electrical Characteristics:
 Contact Resistance: 5mΩ Max
 Insulation resistance: 100 MΩ Min

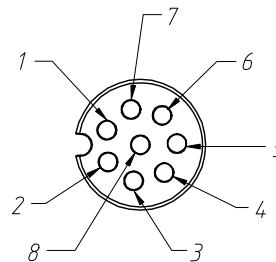
Mechanical properties:
 IP rating: IP67
 Wire gauge: 24 AWG/0.25mm²
 Mechanical characteristics: mating/cycle > 100 cycle
 Operating Temperature: -40°C ~ + 85°C



L-KLS15-M12A-TR204PG9



L-KLS15-M12A-TR205PG9



L-KLS15-M12A-TR208PG9

Order Information:

L-KLS15-M12 A-TR2 04 PG9

L: RoHS

Screw type: M12

A: A-Coding

Type:

TR1: R/A Plug Code (Male Pin)

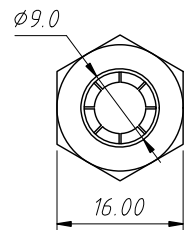
TR2: R/A Plug Code (Female Pin)

Number of Contacts:

(04P 05P 08P)]

Cable outlet PG7 or PG9

No. of Pin	04 P	05 P	08 P
Rated current	4A	4A	2A
Rated voltage	250V	60V	30V



Cable outlet
PG9

ANGLE TOLERANCE	PROJECTION	Description:
±3°		M12 IP67 Waterproof circular plug Female connector
GENERAL TOLERANCE	UNITS	mm
x.x ±0.30	SHEET SIZE	A4
x.xx ±0.20	Draw:	Daniel 2022-04-01
x.xxx ±0.10	Check:	Daniel 2022-04-01



NingBo KLS ELECTRONIC CO., L TD.