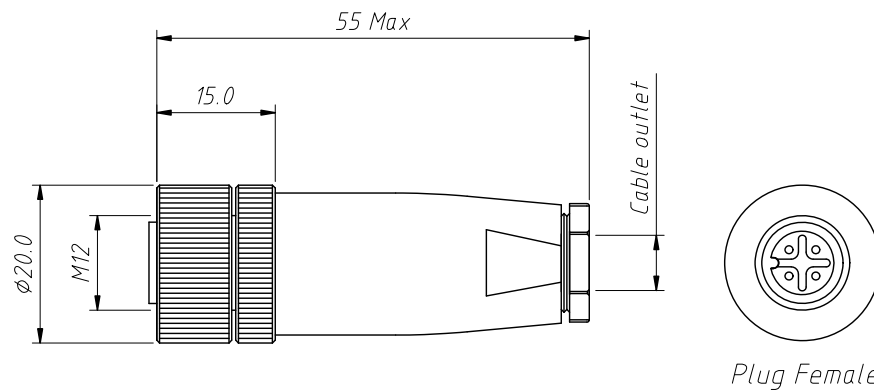
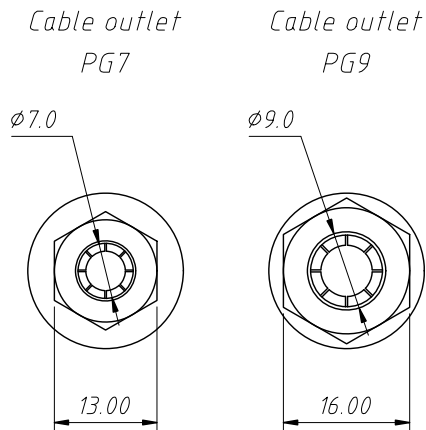


1 RoHS Compliance



Material:

Insulation:PBT/PA,UL 94 V-0,Black.

Connector Pin:Brass,0.025u"Gold plated

Nut/Screw:Brass,Nickel plating

Electrical Characteristics:

Contact Resistance:5mΩ Max

Insulation resistance:100 MΩ Min

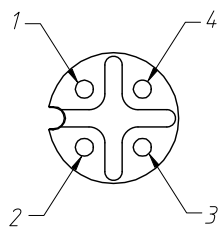
Mechanical properties:

IP rating:IP67

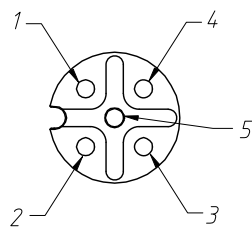
Wire gauge:24AWG/0.25mm²

Mechanical characteristics:mating/cycle>100 cycle

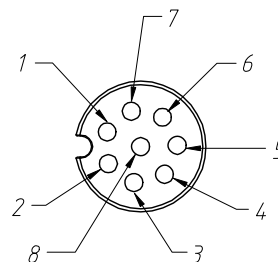
Operating Temperature:-40°C ~ + 85°C



L-KLS15-M12A-P204PG7
L-KLS15-M12A-P204PG9



L-KLS15-M12A-P205PG7
L-KLS15-M12A-P205PG9



L-KLS15-M12A-P208PG9

Order Information:

L-KLS15-M12 A-P2 04 PG7

L: RoHS

Screw type:M12

A:A-Coding

Type:

P1:Plug Code (Male Pin)

P2:Plug Code (Female Pin)

Number of Contacts:

(04P 05P 08P)]

Cable outlet PG7 or PG9

No. of Pin	04 P	05 P	08 P
Rated current	4A	4A	2A
Rated voltage	250V	60V	30V

ANGLE TOLERANCE	PROJECTION	Description:
±3°		M12 IP67 Waterproof circular plug female connector
GENERAL TOLERANCE	UNITS	mm
x.x ±0.30	SHEET SIZE	A4
x.xx ±0.20	Draw:	Daniel 2022-04-01
x.xxx ±0.10	Check:	Daniel 2022-04-01



NingBo KLS ELECTRONIC CO.,L TD.