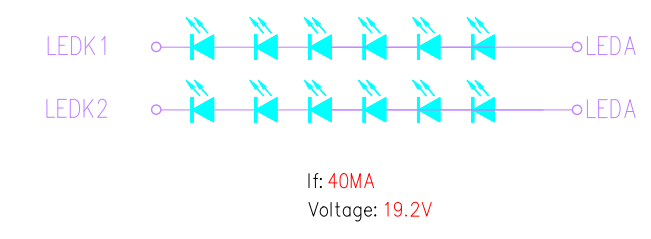
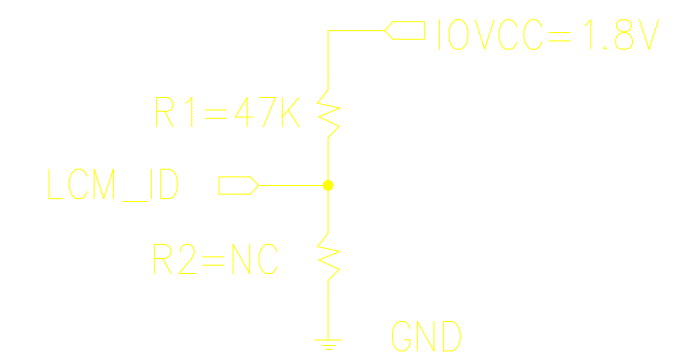


LCD-PIN DESCRIPTION

PIN	Description
1	GND
2	LED-
3	LED+
4	GND
5	NC
6	NC
7	GND
8	VDD1(1.8V)
9	GND
10	D3_N
11	D3_P
12	GND
13	D0_N
14	D0_P
15	GND
16	CLK_N
17	CLK_P
18	GND
19	D1_N
20	D1_P
21	GND
22	D2_N
23	D2_P
24	GND
25	REST
26	TE
27	VDD2.8V
28	GND
29	LCD_ID
30	NC
31	GND



NOTES:
 1. GENERAL TOLERANCE: ± 0.2
 2. () REFERENCE DIMENSION
 3. Important dimension: ① ③

LCD Type	4.96" TFT, Transmissive Normally black, IPS
Resolution	720(RGB)*1280
View Direction	All O'CLOCK
LCD Driver IC	ST7703
Color Depth	16.7M
Interface Types	MIPI
Operating voltage	2.8V
TP/Lens	Without
Backlight LEDs	12 LEDs, 40mA, 19.2V
Surface luminance	450 cd/m2
Operating temperature	-20 ℃~70 ℃
Storage temperature	-30 ℃~80 ℃

版本 (Version)	变更记录 (Change History)	日期 (Date)	设计 (DESIGN)	Bill
AO	Initial release	2020.03.30	审核 (CHECKED)	Aron
			批准 (APPROVED)	Aron
			客户承认 (CUSTOMER APPROVAL)	

TSD™ 一眾显示 TEAM SOURCE DISPLAY

TITLE: MODULE SPEC
 Drawing No. TST050HDSS-58

页面 (Page)	1 / 1
单位 (Unit)	mm
比例 (SCALE)	1 : 1
角度 (Angle)	