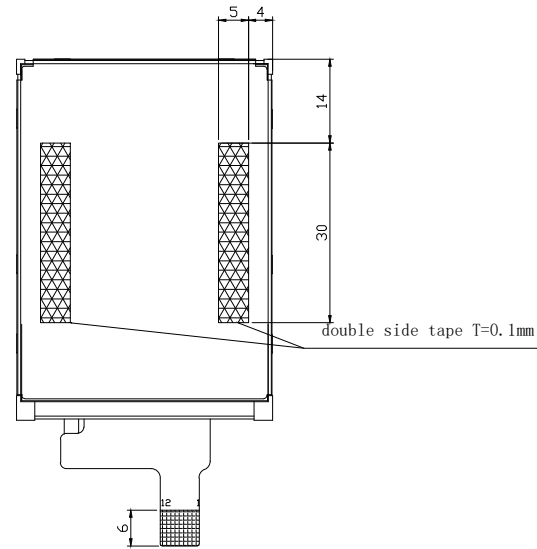
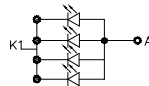


LCM 2.3±0.1(Exclude double side tape)

FOG thickness:
0.13mm(up
POL)+1.0mm(LCD)+0.13mm(down
POL)=1.26mm ▲



PIN	DESCRIPTION
1	NC
2	NC
3	NC
4	NC
5	CS
6	SCL
7	SDA
8	RESET
9	VDD
10	GND
11	LED-A
12	LED-K



Backlight circuit
15mA*4, 3.2V DC

LCD Type	2.4" TFT, Transmissive, Normally white, TN
Resolution	240*(RGB)*320
View Direction	12 O'CLOCK
Driver IC	ST7789V
Color Depth	65K
Interface Types	SPI
Operating voltage	2.8-3.3V
TP/Lens	Without
Backlight LEDs	4 LEDs, 60mA, 3.2V
Surface luminance	350 cd/m2(Typ)
Operating temperature	-20 C° ~70 C°
Storage Temperature	-30 C° ~80 C°
Storage Humidity	60°C, ≤90%RH

"👉" Need to pay attention to		the key size with *		东莞市一众显示科技有限公司 DONG GUAN TEAM SOURCE DISPLAY TECH. CO, LTD.			
版本 (Version)	变更记录 (Change History)	日期 (Date)	视角 (View):	比例 (Proportion):	设计 (DESIGN)	审核 (AUDITING)	批准 (APPROVED)
A0	INITIAL RELEASE	2019.4.9	单位 (Unit):	1 : 1	1 / 1		
A1	update drawing	2019.4.12	MM	页面 (Page):			
			产品型号 (Product Type):	TST024QVSS-21			
			图纸版本 (Version):	A1			