

DIP Switch Series

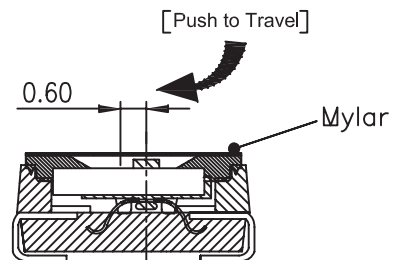
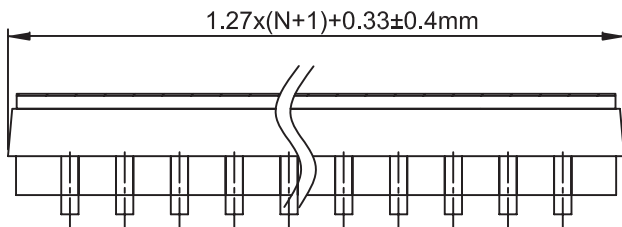
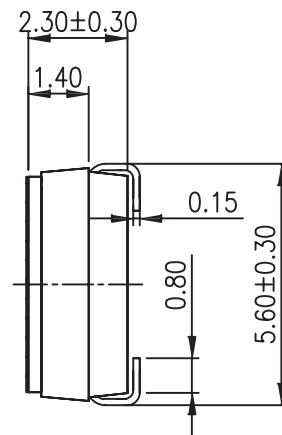
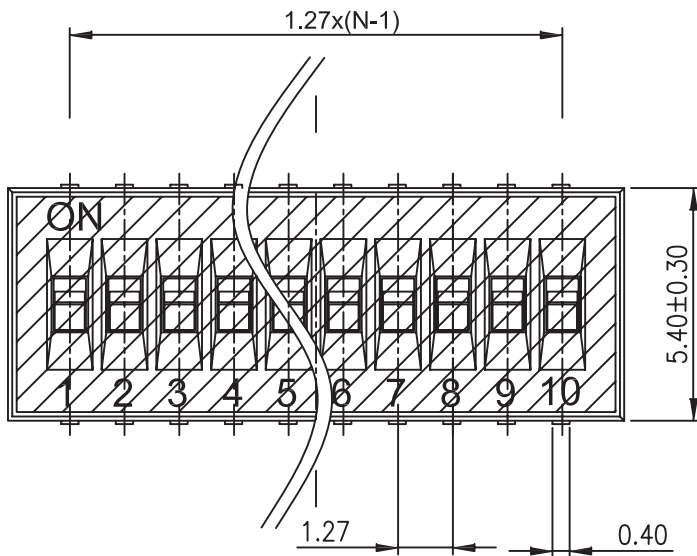
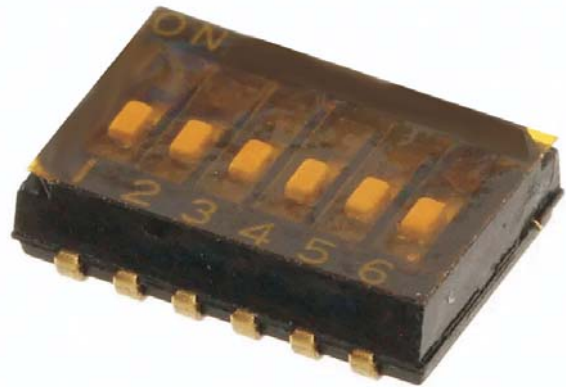
KLS7-KPH 1.27mm Half Pitch DIP Switch Series

Specifications

- Contact Rating: 25 mA at 24VDC (switching)
100 mA at 50VDC (steady state)
- Life: 1,000 cycles
- Contact Resistance: 100mΩ Max.
- Insulation Resistance: 100MΩ at 100VDC Min
- Dielectric Strength: 300VAC Min
- Storage Temperature: -40°C ~ 85°C
- Operating Temperature: -40°C to 85°C.
- Operation Force: 9.8N Max.

Materials

- Base & Cover: PPS (UL94V-0)
- Actuator: PA46 (UL94V-0).
- Contacts: Brass, Gold /Tin Plate
- Terminals: Brass, Gold /Tin Plate
- Mylar: 0.05mm UL94V-0 Mylar



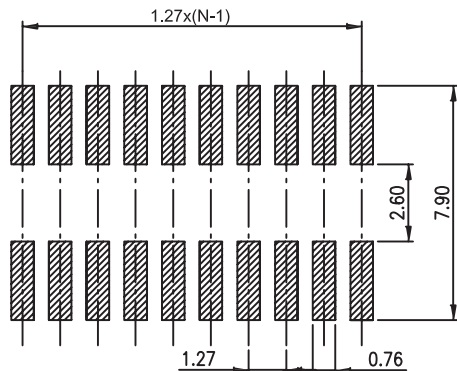
ORDER INFORMATION

KLS7-KPH- XX - N - 1 0

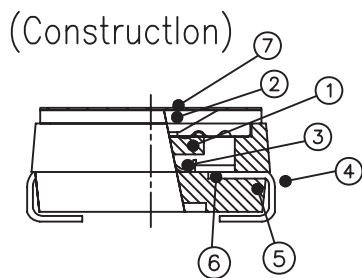
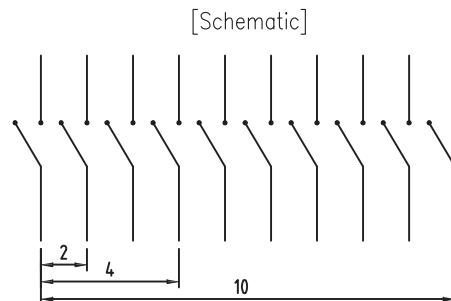
- Part Number
- KPH: 1.27mm Half Pitch Dip Switch
- Number of Pos.: 02~10 Pos.
- Packaging: 0=Tube 1=Tape
- 1: With sealed
- Color: N=Black

DIP Switch Series

KLS7-KPH 1.27mm Half Pitch DIP Switch Series



RECOMMENDED P.C.B. LAYOUT (TOP VIEW)



Number	Part Name	Material	Finished
①	Actuator	UL94 V0	White
②	Cover	UL94 V0	Black
③	Movable	Beryllium Copper	3μ' Gold
④	Terminal	Brass	1μ' Gold
⑤	Base	UL94 V0	Black
⑥	Terminal Contact	Brass	3μ' Gold
⑦	Mylar	UL94 V0	0.05mm

ORDER INFORMATION

