

SPECIFICATIONS SHEET FOR APPROVAL

PIEZO ELEMENT
P/N: PE410013CS-02

DESCRIPTION: D41mm, H0.23mm Piezo Element, 1300Hz, 70000pF

VERSION: 01

DATE: 4-July-2022

REVISIONS

VERSION	DESCRIPTION	DATE
01	Released from engineering	4-July-2022

APPROVED BY :

CUSTOMER NAME :

DATE :

SPECIFICATIONS SHEET

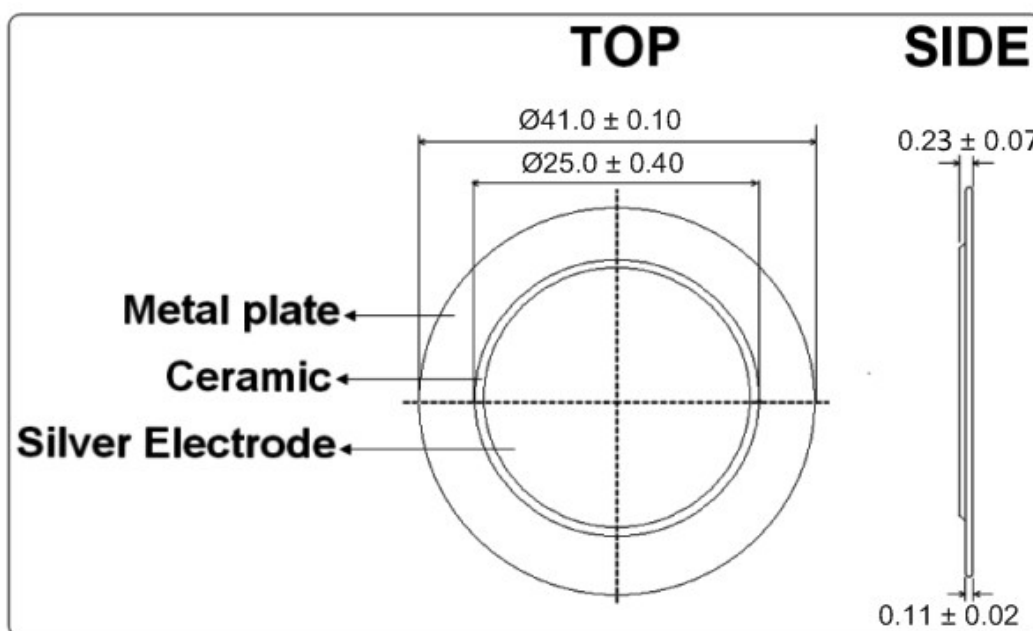
PIEZO ELEMENT
P/N: PE410013CS-02

1. SPECIFICATIONS

PARAMETERS	VALUES	UNITS
METAL PLATE DIAMETER	$\varnothing 41.0 \pm 0.10$	mm
CERAMIC DIAMETER	$\varnothing 25.0 \pm 0.40$	mm
METAL PLATE THICKNESS	0.11 ± 0.02	mm
TOTAL HEIGHT	0.23 ± 0.07	mm
MAX OPERATING VOLTAGE	30	Vp-p
RESONANCE FREQUENCY	$1,300 \pm 300$	Hz
RESONANCE IMPEDANCE (MAX)	1,000	Ohm
*MAIN ELECTROSTATIC CAPACITY	$70,000 \pm 30\%$	pF
OPERATING TEMPERATURE	-20 to +70	°C
STORAGE TEMPERATURE	-30 to +80	°C
METAL PLATE MATERIAL	Brass	-

*Tested at 1,000Hz/1V

2. DIMENSIONS (unit in mm)



Tolerance: ± 0.5 mm except specified

VERSION: 01
DATE: 4-July-2022

All specifications subject to change without notice