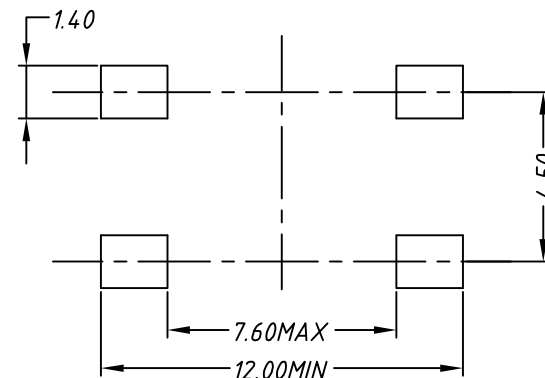
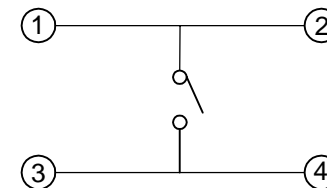
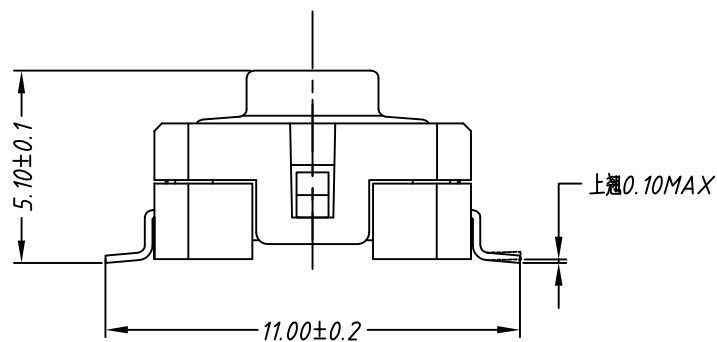


Notes:

- 1. Operating Life : 1, 000, 000;
- 2. Rohs Conform .



PCB Layout



circuit diagram

3	A2	更新图框	陈代学	22.03.21	Nominal Tolerance		Part no. L-KLS7-TS8484-5.1-250-T	NINGBO KLS ELECTRONIC CO.,LTD		Check	
					Range	Tolerance					
2	A1	修改端子脚的位置	张国华	10.3.5	0 ~ 1	±0.10	Dwg no.			Drawer	
					1 ~ 4	±0.20					
1	A0	New	张国华	09.06.10	4 ~ 16	±0.30	Part Name. Tact Swit ches	Scale 1:1		Date	09.06.10
NO.	Edition	Modified Contents	Name	Date				Unit m/m (inch)	Rev. 0	Edition	A2