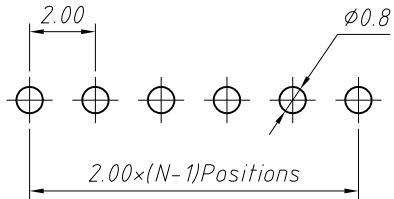
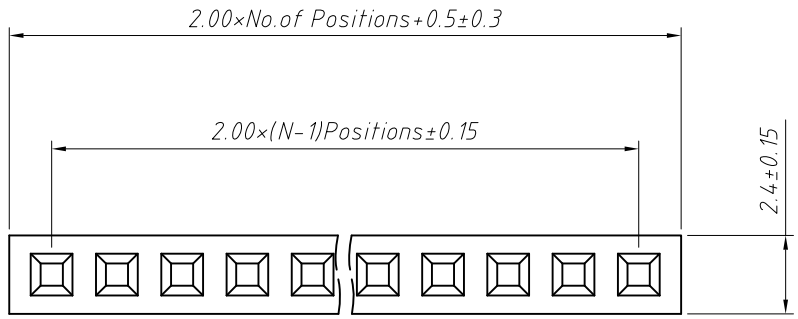


1  
RoHS Compliance

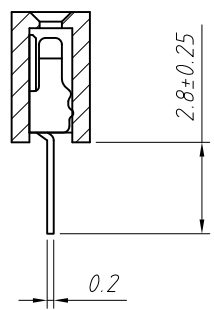
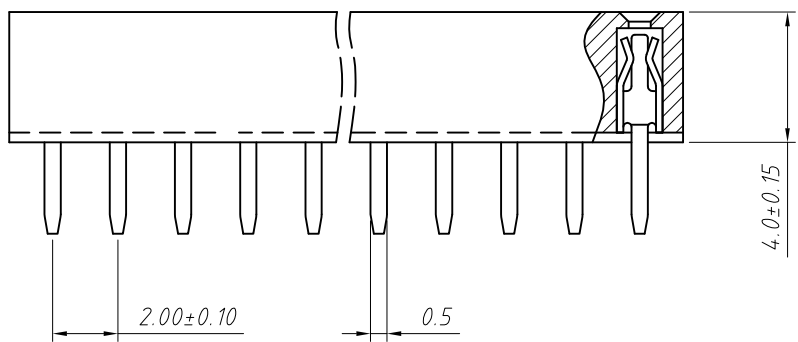


Recommended P.C.B Layout (Top Side)  
(PCB BOARD TOLERANCE ± 0.05)

Material:  
Standard: PBT/PA6T  
Contact: Brass  
Plating: Au or Sn Over Ni  
Insulator: Polyester, UL94V-0

Electrical Characteristics:  
Rated Current: 1.5AMP  
Contact Resistance: 20mΩ Max  
Withstand Voltage: 500V AC/DC  
Insulator Resistance: 1000MΩ Min

Mechanical  
Operating Temperature: -40°C ~ +105°C  
Max. Processing Temp: 230°C for 30-60 seconds (260°C for 10 seconds)



Order Information:  
L-KLS1-208B-4.0-1-XX-S-B  
L: RoHS  
Female Header  
Series 208B: 2.00mm  
Plastics Height: 4.0mm  
Per Row: Single layer  
Pin: No. of Pins (1x40)  
Type: Straight Pin  
Material: A=PBT B=PA6T C=LCP

ANGLE TOLERANCE	PROJECTION	Description:	2.0x4.0mm Female Header Single layer, Straight Pin, 1xN Pin	
±3°				
GENERAL TOLERANCE	UNITS	mm	KLS P/N:	L-KLS1-208B-4.0-1-XX-S-B
x.x ±0.30	SHEET SIZE	A4		
x.xx ±0.20	Draw:	Daniel	2018-07-10	
x.xxx ±0.10	Check:	Daniel	2018-07-10	

**KLS** NingBo KLS ELECTRONIC CO.,LTD.

1  
RoHS Compliance

2

3

4

5

6

7

8

A

B

C

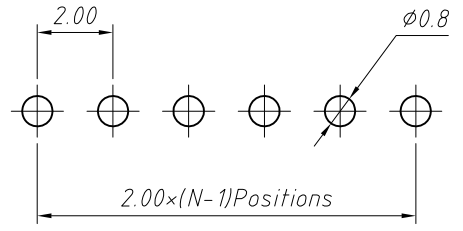
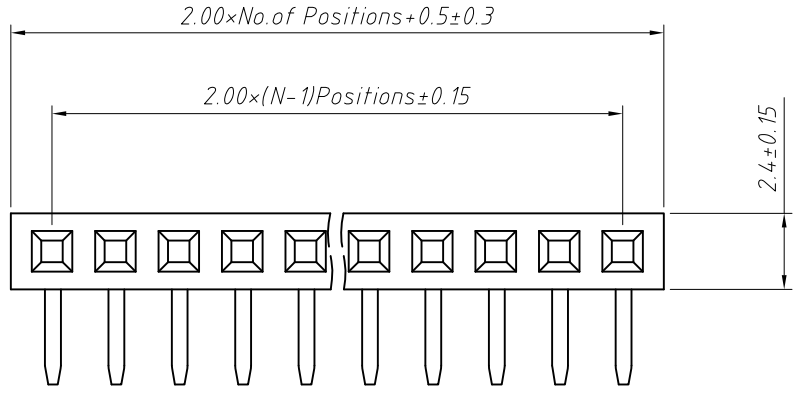
D

E

F

G

H

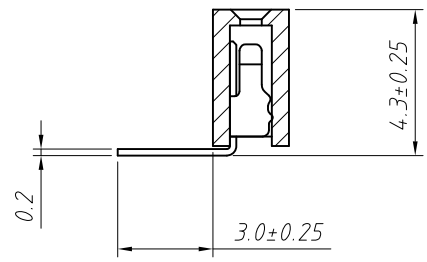
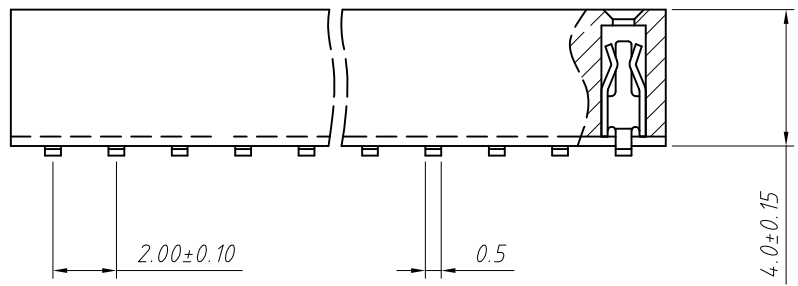


Recommended P.C.B Layout (Top Side)  
(PCB BOARD TOLERANCE ±0.05)

**Material:**  
Standard:PBT/PA6T  
Contact:Brass  
Plating: Au or Sn Over Ni  
Insulator: Polyester, UL94V-0

**Electrical Characteristics:**  
Rated Current: 1.5AMP  
Contact Resistance: 20mΩ Max  
Withstand Voltage: 500V AC/DC  
Insulator Resistance: 1000MΩ Min

**Mechanical**  
Operating Temperature: -40°C ~ +105°C  
Max.Processing Temp: 230°C for 30-60 seconds (260°C for 10 seconds)



**Order Information:**  
L-KLS1-208B-4.0-1-XX-R-B  
L: RoHS  
Female Header  
Series 208B: 2.00mm  
Plastics Height: 4.0mm  
Per Row: Single layer  
Pin: No. of Pins (1x40)  
Type: Right Angle Pin  
Material: A=PBT B=PA6T C=LCP

ANGLE TOLERANCE	PROJECTION	Description:	2.0x4.0mm Female Header Single layer, Right Angle Pin, 1xN Pin	
±3°				
GENERAL TOLERANCE	UNITS	mm	KLS P/N:	L-KLS1-208B-4.0-1-XX-R-B
x.x ±0.30	SHEET SIZE	A4		
x.xx ±0.20	Draw:	Daniel	2018-07-10	
x.xxx ±0.10	Check:	Daniel	2018-07-10	

**NingBo KLS ELECTRONIC CO.,L TD.**

1

2

3

4

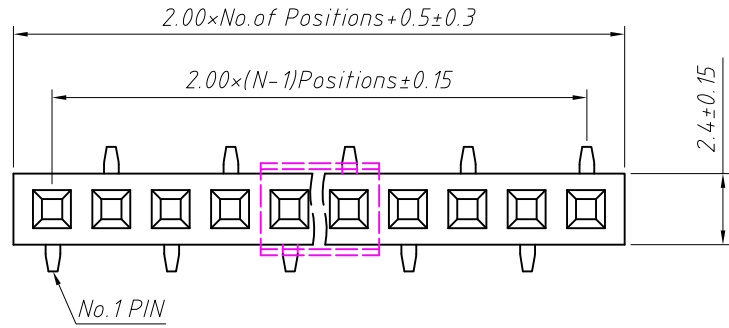
5

6

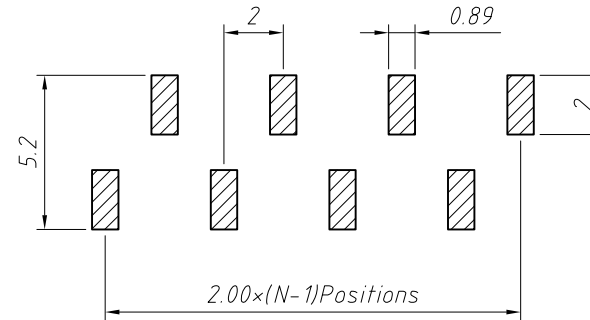
7

8

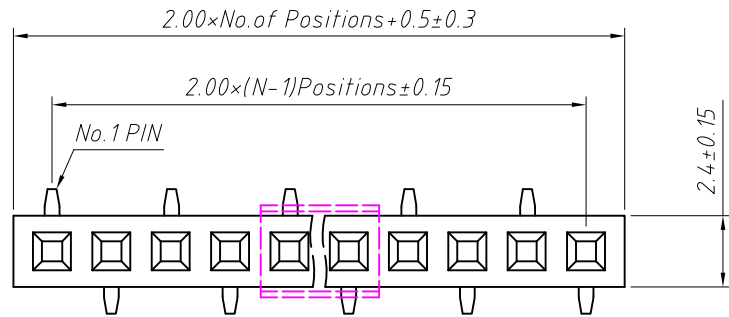
RoHS Compliance



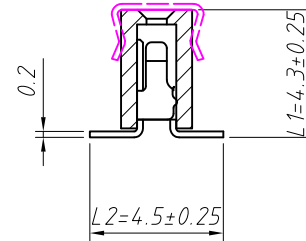
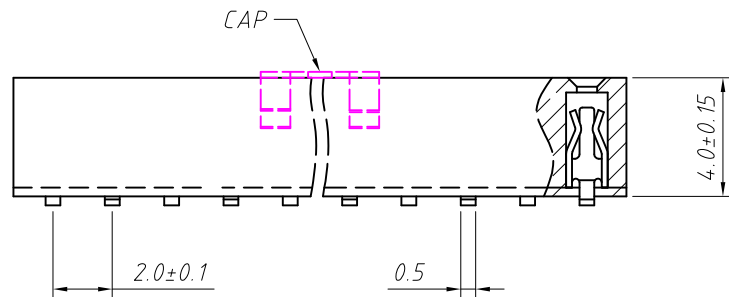
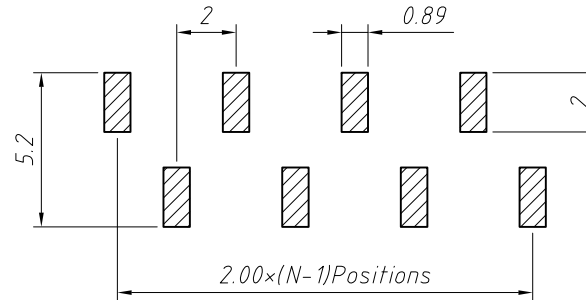
T2 Type



Recommended P.C.B Layout (Top Side)  
(PCB BOARD TOLERANCE ± 0.05)



T1 Type



**Material:**  
**Standard:** PA6T  
**Contact:** Brass  
**Contact plating:** Au or Sn over Ni  
**Nickel Insulator:** Polyester, UL 94V-0

**Electrical Characteristics:**  
**Rated Current:** 1.5AMP  
**Contact Resistance:** 20mΩ Max  
**Withstand Voltage:** 500V AC/DC  
**Insulator Resistance:** 1000MΩ Min

**Mechanical**  
**Operating Temperature:** -40°C ~ +105°C  
**Max. Processing Temp:** 230°C for 30-60 seconds (260°C for 10 seconds)

**Order Information:**

L-KLS1-208B-4.0-1-XX-T1-L1xL2-N-B-R

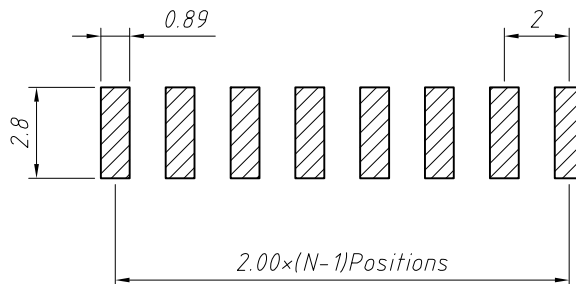
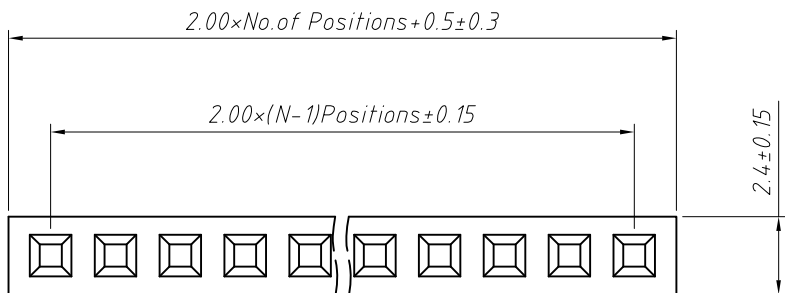
L: RoHS  
 Pin Header Series -  
 208B: 2.00mm  
 Plastics Height: 4.0mm  
 Per Row: Single layer  
 Pin: No. of Pins (1x40)  
 SMT Pin: T1 Type, T2 Type  
 Size: L1xL2  
 Post: W=With Post N=W/O Post  
 Material: A=PBT B=PA6T C=LCP  
 Packing:  
 A=Tray T=Tube M=Reel+Mylar  
 P=Tube+Cap R=Reel+Cap

Dimension antitheses list (mm)			
ITEM	L1	L2	Plastic Height
Standard	4.30	4.50	4.00
Nonstandard	---	---	---

ANGLE TOLERANCE	PROJECTION	Description:	2.00mm Female Header Single layer, SMT Pin, 1xN Pin	
±3°				
GENERAL TOLERANCE	UNITS	mm	KLS P/N:	L-KLS1-208B-4.0-1-XX-T1-L1xL2-N-B-R
x.x ±0.30	SHEET SIZE	A4		
x.xx ±0.20	Draw:	Daniel	2018-07-10	
x.xxx ±0.10	Check:	Daniel	2018-07-10	

**NingBo KLS ELECTRONIC CO., L TD.**

1 RoHS Compliance

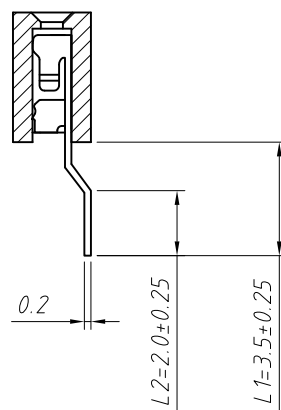
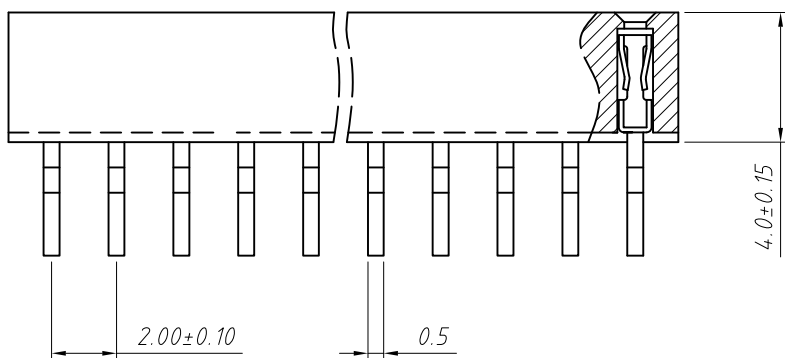


Recommended P.C.B Layout (Top Side)  
(PCB BOARD TOLERANCE±0.05)

Material:  
Standard:PA6T  
Contact:Phosphor Bronze  
Plating:Au or Sn Over Ni  
Insulator:Polyester,UL94V-0

Electrical Characteristics:  
Rated Current: 15AMP  
Contact Resistance: 20mΩ Max  
Withstand Voltage: 500V AC/DC  
Insulator Resistance: 1000MΩ Min

Mechanical  
Operating Temperature: -40°C ~ +105°C  
Max.Processing Temp:230°C for 30-60 seconds (260°C for 10 seconds)



Order Information:

L-KLS1-208B-4.0-1-XX-RM-L1xL2-N-B-R

L: RoHS  
Female Header  
Series 208B:2.00mm  
Plastics Height:4.0mm  
Per Row:Single layer  
Pin: No. of Pins (1x40)  
SMT Type:Horizontal SMT  
Size:L1xL2  
Post:W=With Post N=W/O Post  
Material:A=PBT B=PA6T C=LCP  
Packing:  
A=Tray T=Tube M=Reel+Mylar  
P=Tube+Cap R=Reel+Cap

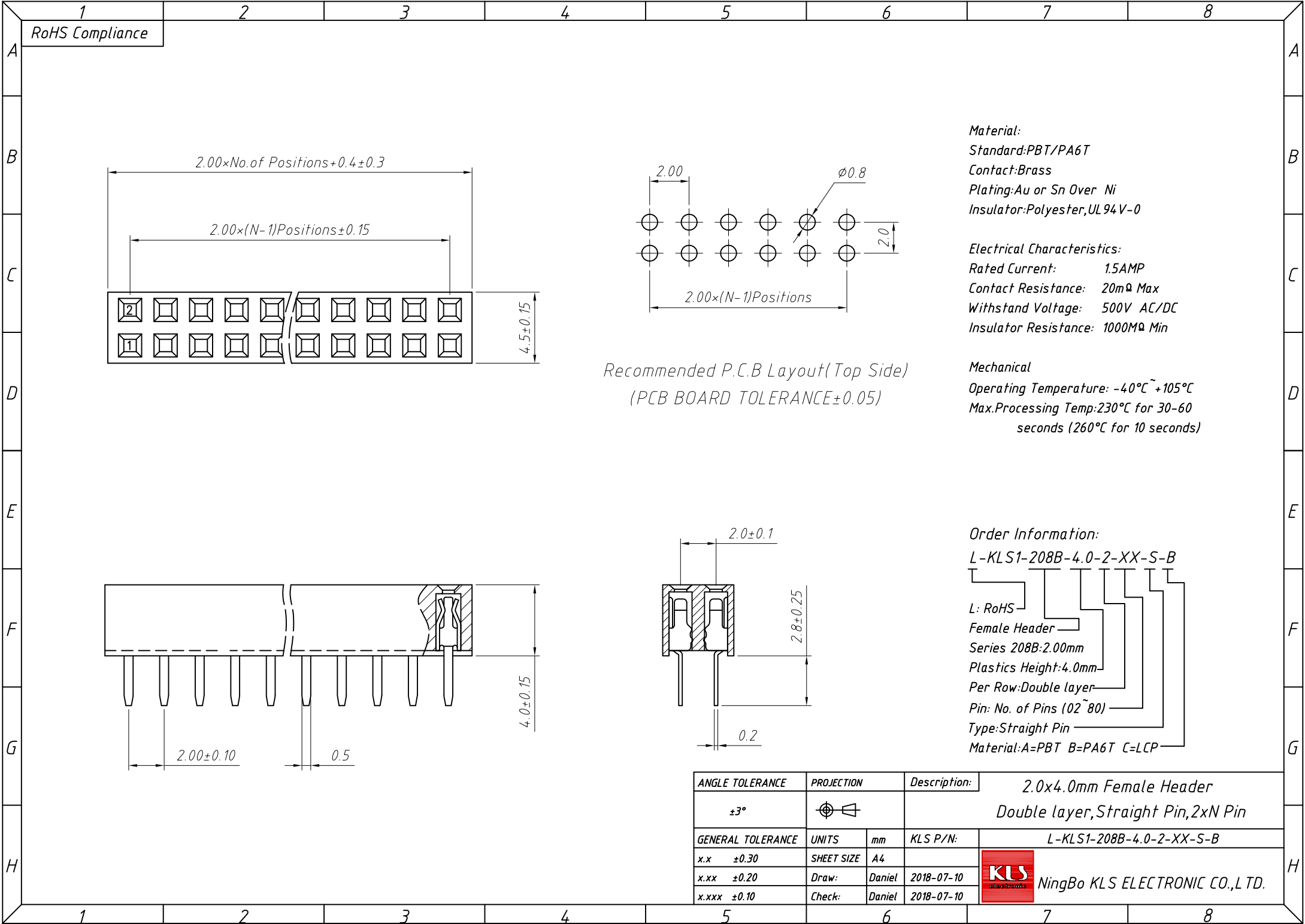
Dimension antitheses list (mm)			
ITEM	L1	L2	Plastic Height
Standard	3.50	2.00	4.00
Nonstandard	---	---	---

ANGLE TOLERANCE	PROJECTION	Description:
±3°		2.0x4.0mm Female Header Single layer,Horizontal SMT,1xN Pin
GENERAL TOLERANCE	UNITS	mm
x.x ±0.30	SHEET SIZE	A4
x.xx ±0.20	Draw:	Daniel 2018-07-10
x.xxx ±0.10	Check:	Daniel 2018-07-10



NingBo KLS ELECTRONIC CO.,L TD.

1  
RoHS Compliance



**Material:**  
 Standard:PBT/PA6T  
 Contact:Brass  
 Plating: Au or Sn Over Ni  
 Insulator: Polyester, UL94V-0

**Electrical Characteristics:**  
 Rated Current: 1.5AMP  
 Contact Resistance: 20mΩ Max  
 Withstand Voltage: 500V AC/DC  
 Insulator Resistance: 1000MΩ Min

**Mechanical**  
 Operating Temperature: -40°C ~ +105°C  
 Max.Processing Temp: 230°C for 30-60 seconds (260°C for 10 seconds)

Recommended P.C.B Layout (Top Side)  
 (PCB BOARD TOLERANCE ±0.05)

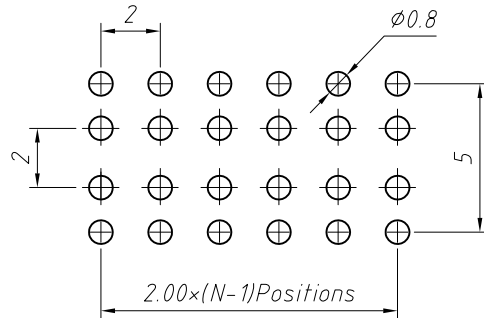
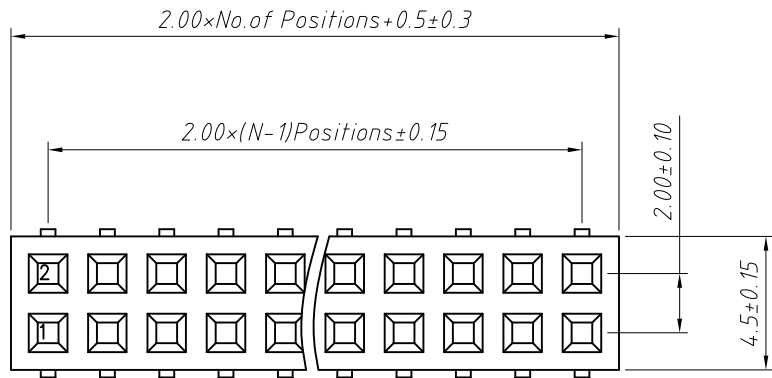
**Order Information:**  
 L-KLS1-208B-4.0-2-XX-S-B

L: RoHS  
 Female Header  
 Series 208B: 2.00mm  
 Plastics Height: 4.0mm  
 Per Row: Double layer  
 Pin: No. of Pins (02~80)  
 Type: Straight Pin  
 Material: A=PBT B=PA6T C=LCP

ANGLE TOLERANCE	PROJECTION	Description:	2.0x4.0mm Female Header Double layer, Straight Pin, 2xN Pin	
±3°				
GENERAL TOLERANCE	UNITS	mm	KLS P/N:	L-KLS1-208B-4.0-2-XX-S-B
x.x ±0.30	SHEET SIZE	A4		
x.xx ±0.20	Draw:	Daniel	2018-07-10	
x.xxx ±0.10	Check:	Daniel	2018-07-10	

NingBo KLS ELECTRONIC CO.,L TD.

1 RoHS Compliance

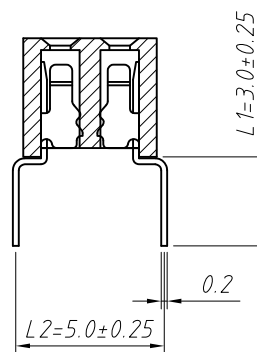
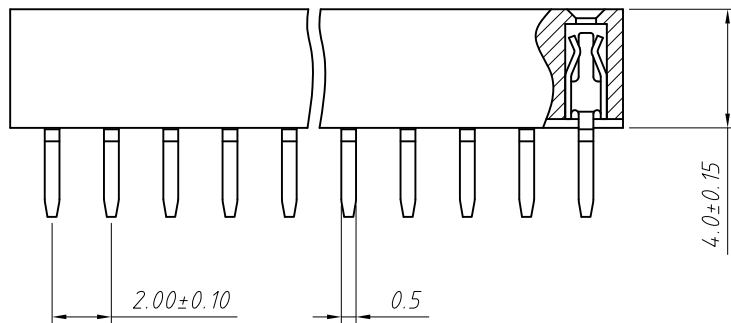


Recommended P.C.B Layout (Top Side)  
(PCB BOARD TOLERANCE ± 0.05)

**Material:**  
Standard: PBT/PA6T  
Contact: Brass  
Plating: Au or Sn Over Ni  
Insulator: Polyester, UL94V-0

**Electrical Characteristics:**  
Rated Current: 1.5AMP  
Contact Resistance: 20mΩ Max  
Withstand Voltage: 500V AC/DC  
Insulator Resistance: 1000MΩ Min

**Mechanical**  
Operating Temperature: -40°C ~ +105°C  
Max. Processing Temp: 230°C for 30-60 seconds (260°C for 10 seconds)



**Order Information:**  
L-KLS1-208B-4.0-2-XX-W-L1xL2-B

L: RoHS  
Female Header  
Series 208B: 2.00mm  
Plastics Height: 4.0mm  
Per Row: Double layer  
Pin: No. of Pins (02~80)  
Type: Bottom Entry  
Size: L1xL2  
Material: A=PBT B=PA6T C=LCP

Dimension antitheses list (mm)

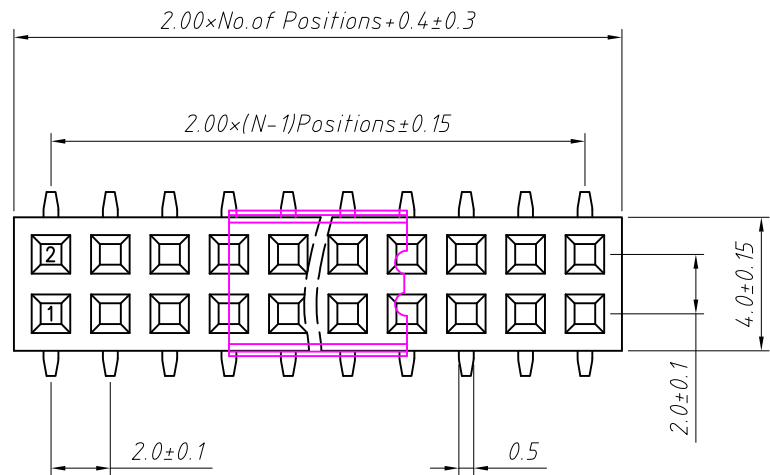
ITEM	L1	L2	Plastic Height
Standard	3.00	5.00	4.00
Nonstandard	---	---	---

ANGLE TOLERANCE	PROJECTION	Description:
±3°		2.0x4.0mm Female Header Double layer, Bottom Entry, 2xN Pin
GENERAL TOLERANCE	UNITS	mm
x.x ±0.30	SHEET SIZE	A4
x.xx ±0.20	Draw:	Daniel 2018-07-10
x.xxx ±0.10	Check:	Daniel 2018-07-10

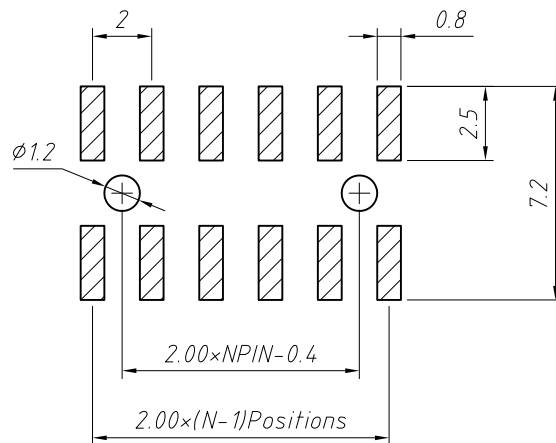
L-KLS1-208B-4.0-2-XX-W-L1xL2-B

NingBo KLS ELECTRONIC CO.,L TD.

RoHS Compliance



Recommended P.C.B Layout (Top Side)  
(PCB BOARD TOLERANCE ± 0.05)



**Material:**  
Standard: PA6T  
Contact: Brass  
Contact plating: Au or Sn over Ni  
Nickel Insulator: Polyester, UL 94V-0

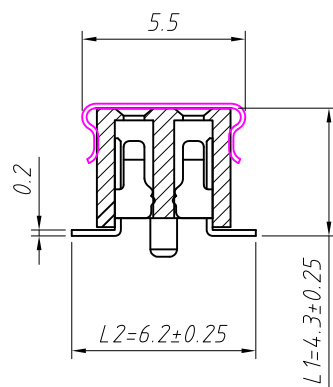
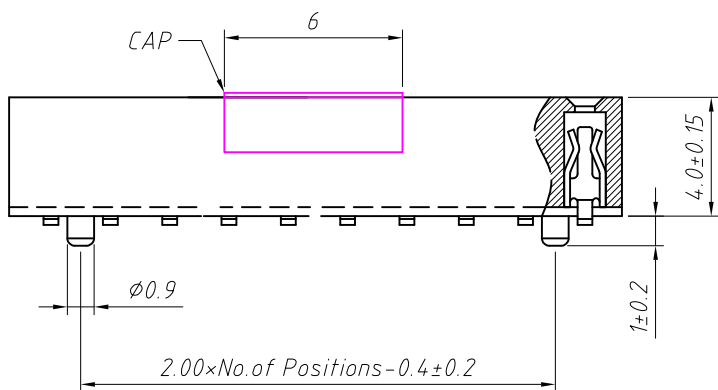
**Electrical Characteristics:**  
Rated Current: 1.5AMP  
Contact Resistance: 20mΩ Max  
Withstand Voltage: 500V AC/DC  
Insulator Resistance: 1000MΩ Min

**Mechanical**  
Operating Temperature: -40°C ~ +105°C  
Max. Processing Temp: 230°C for 30-60 seconds (260°C for 10 seconds)

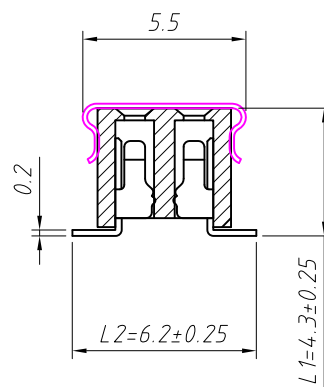
**Order Information:**

L-KLS1-208B-4.0-2-XX-T-L1xL2-B-R

L: RoHS  
Pin Header Series -  
208B: 2.00mm  
Plastics Height: 4.0mm  
Per Row: Double layer  
Pin: No. of Pins (02~80)  
SMT: T=Without Post, T3=With Post  
Size: L1xL2  
Material: A=PBT B=PA6T C=LCP  
Packing:  
A=Tray T=Tube M=Reel+Mylar  
P=Tube+Cap R=Reel+Cap



T3=With Post



T=Without Post

Dimension antitheses list (mm)

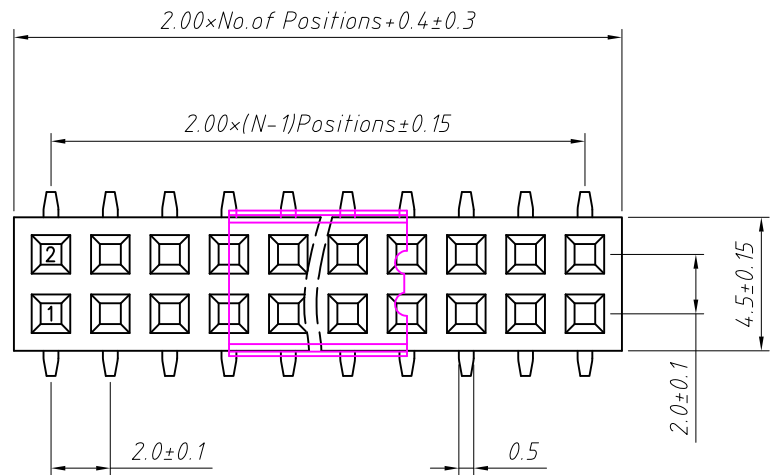
ITEM	L1	L2	Plastic Height
Standard	4.30	6.20	4.00
Nonstandard	---	---	---

ANGLE TOLERANCE	PROJECTION	Description:
±3°		2.00mm Female Header Double layer, SMT Pin, 2xN Pin
GENERAL TOLERANCE	UNITS	mm
x.x ±0.30	SHEET SIZE	A4
x.xx ±0.20	Draw:	Daniel 2018-07-10
x.xxx ±0.10	Check:	Daniel 2018-07-10

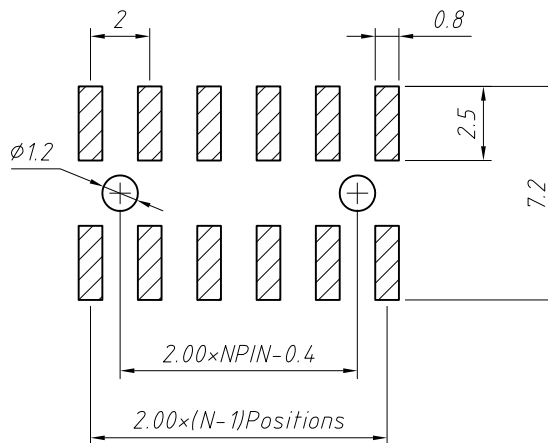


NingBo KLS ELECTRONIC CO.,LTD.

RoHS Compliance



Recommended P.C.B Layout (Top Side)  
(PCB BOARD TOLERANCE ± 0.05)



**Material:**  
Standard: PA6T  
Contact: Brass  
Contact plating: Au or Sn over Ni  
Nickel Insulator: Polyester, UL 94V-0

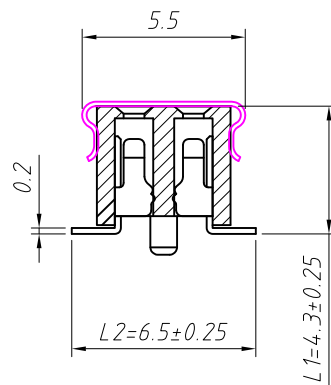
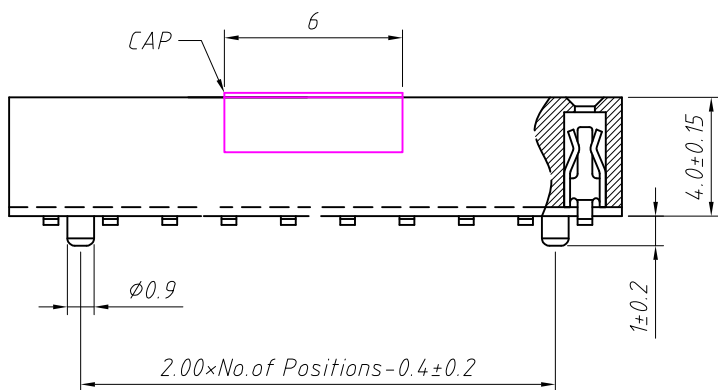
**Electrical Characteristics:**  
Rated Current: 1.5AMP  
Contact Resistance: 20mΩ Max  
Withstand Voltage: 500V AC/DC  
Insulator Resistance: 1000MΩ Min

**Mechanical**  
Operating Temperature: -40°C ~ +105°C  
Max. Processing Temp: 230°C for 30-60 seconds (260°C for 10 seconds)

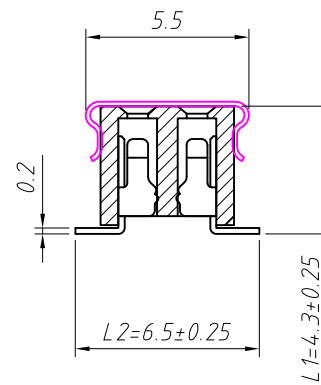
**Order Information:**

L-KLS1-208B-4.5-2-XX-T-L1xL2-B-R

L: RoHS  
Pin Header Series -  
208B: 2.00mm  
Plastics Height: 4.5mm  
Per Row: Double layer  
Pin: No. of Pins (02~80)  
SMT: T=Without Post, T3=With Post  
Size: L1xL2  
Material: A=PBT B=PA6T C=LCP  
Packing:  
A=Tray T=Tube M=Reel+Mylar  
P=Tube+Cap R=Reel+Cap



T3=With Post



T=Without Post

Dimension antitheses list (mm)

ITEM	L1	L2	Plastic Height
Standard	4.30	6.50	4.50
Nonstandard	---	---	---

ANGLE TOLERANCE	PROJECTION	Description:
±3°		2.00mm Female Header Double layer, SMT Pin, 2xN Pin
GENERAL TOLERANCE	UNITS	mm
x.x ±0.30	SHEET SIZE	A4
x.xx ±0.20	Draw:	Daniel 2018-07-10
x.xxx ±0.10	Check:	Daniel 2018-07-10



NingBo KLS ELECTRONIC CO.,LTD.