

Product Data sheet : Voltage Transformer- VT1211-RC

Date : 03.11.2014

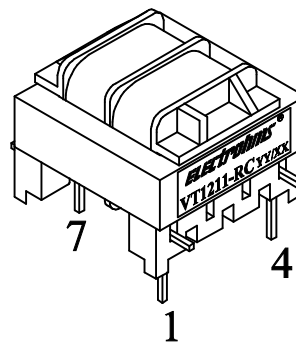
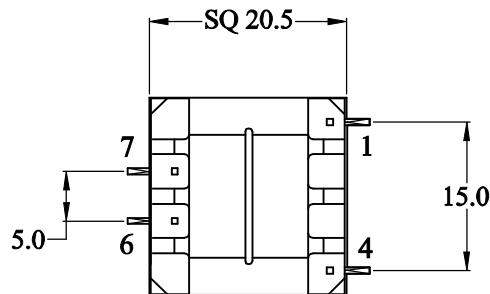
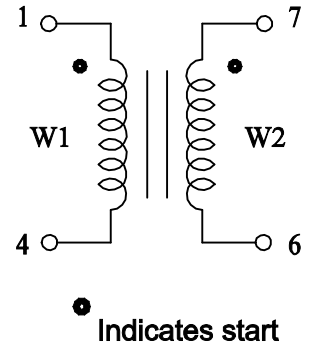
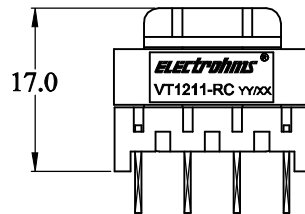
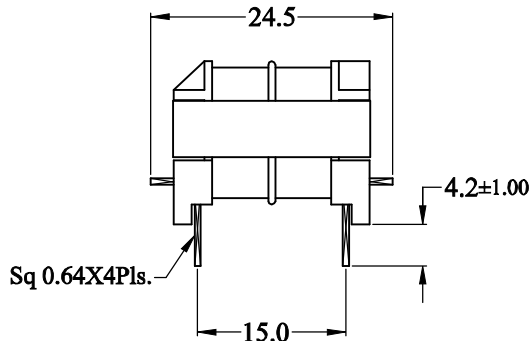
Rev : 03

Page 1 of 1

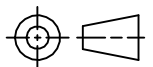
Customer: ---

Customer's part No.: ---

MECHANICAL DIMENSIONS



GENERAL TOL.
±0.5 mm



ALL DIMENSIONS
ARE IN 'mm'

SCALE -NTS

FEATURES :

- P.C. Mountable.

SPECIFICATIONS @ 25° C **

PARAMETERS		VALUES
Frequency of Operation		50/60 Hz
D C R	Primary - Between pin 1 & 4	135 to 165 Ω
	Secondary - Between pin 7 & 6	135 to 165 Ω
Turns Ratio		1 : 1±1%
Amplitude Error		---
Phase Error		---
Inductance @ 0.300 Vrms, 100Hz, Parallel mode		18 H
Operating Temperature Range		-10°C to + 60°C
Dielectric strength between primary and secondary		2500V AC, 50Hz 60 Sec

** Specifications subject to change.

Note :