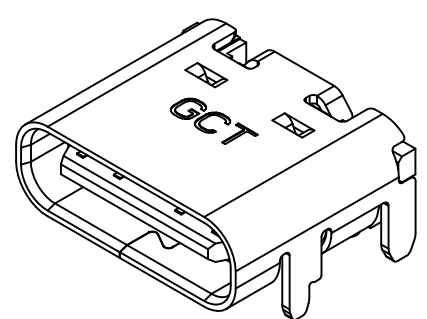
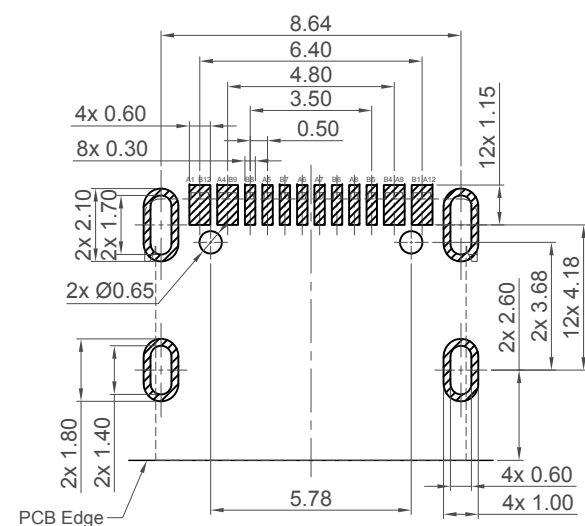
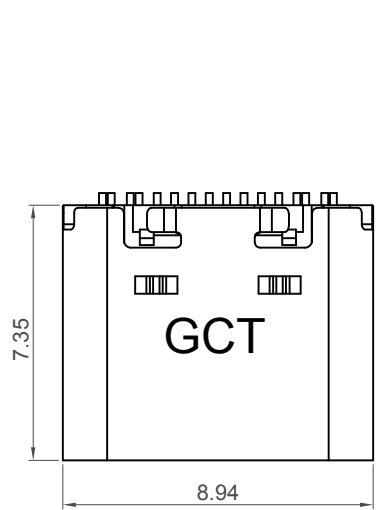


H
G
F
E
D
C
B
A



Recommended PCB Layout
As viewed from component side Tolerance: ±0.05mm
 Solder Area Component Outline

| Pin | Signal | Mating Sequence | Pin | Signal | Mating Sequence |
|-------|--------|-----------------|-------|--------|-----------------|
| A1 | GND | First | B12 | GND | First |
| A4 | Vbus | First | B9 | Vbus | First |
| A5 | CC1 | Second | B8 | SBU2 | Second |
| A6 | Dp1 | Second | B7 | Dn2 | Second |
| A7 | Dn1 | Second | B6 | Dp2 | Second |
| A8 | SBU1 | Second | B5 | CC2 | Second |
| A9 | Vbus | First | B4 | Vbus | First |
| A12 | GND | First | B1 | GND | First |
| SHELL | | GND | SHELL | | GND |

Specifications

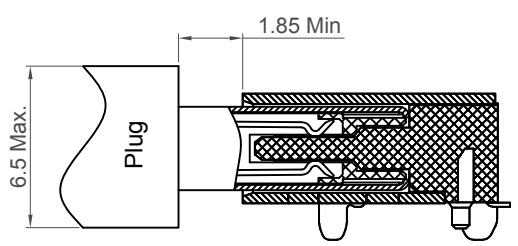
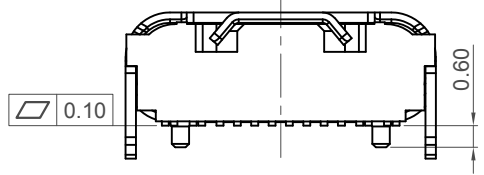
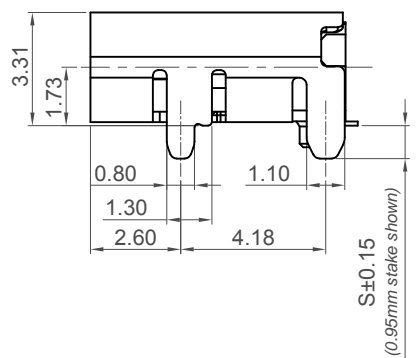
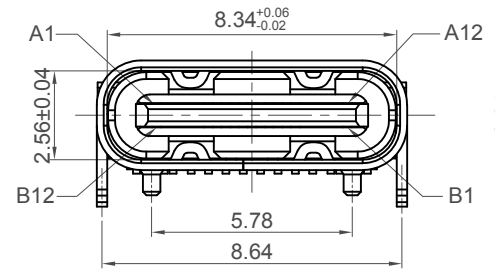
Material
 Insulator: LCP, UL 94V-0, Black
 Contact: Copper Alloy
 Shell: Stainless steel
 Mid Plate: Stainless Steel

Plating
 Contact: See Ordering Grid
 Solder Tails: Gold Flash Over Nickel
 Shell: Nickel

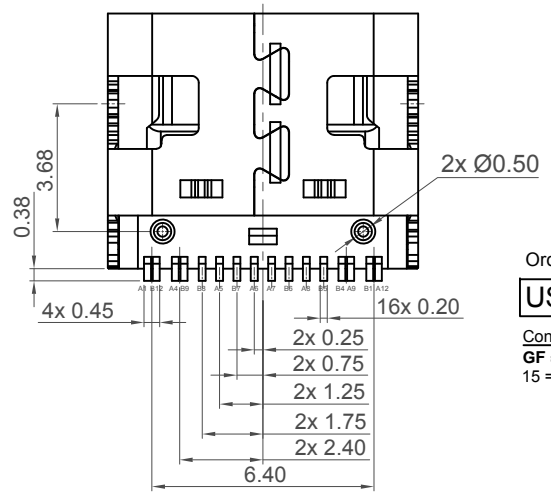
Electrical
 Current Rating: 5.00A collectively for Vbus pins
 6.25A collectively for GND pins
 1.25A for B5 pin
 0.25A per pin for all other pins

Voltage Rating: 20V DC
 Contact Resistance: 40mΩ max initial.
 50mΩ max after test
 Dielectric Withstanding Voltage: 100V AC
 Insulation Resistance 100MΩ min

Mechanical & Environmental
 Operating Temperature: -40°C to +85°C
 Mating Force: 5 to 20 N.
 Unmated Force: 6 to 20 N after test
 Durability: 10,000 cycles



Plug and Receptacle Mating View

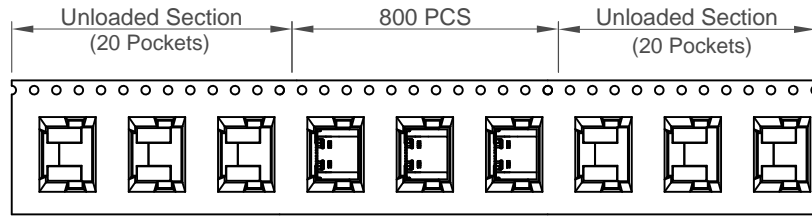


Ordering Grid
 USB4105 - XX - A - XXX
Contact Plating
 GF = Gold Flash (standard)
 15 = 15µ" Gold
Packing Options
 A = Tape & Reel
Shell Stake Length "S"
 Blank = 0.95mm
 060 = 0.60mm
 120 = 1.20mm

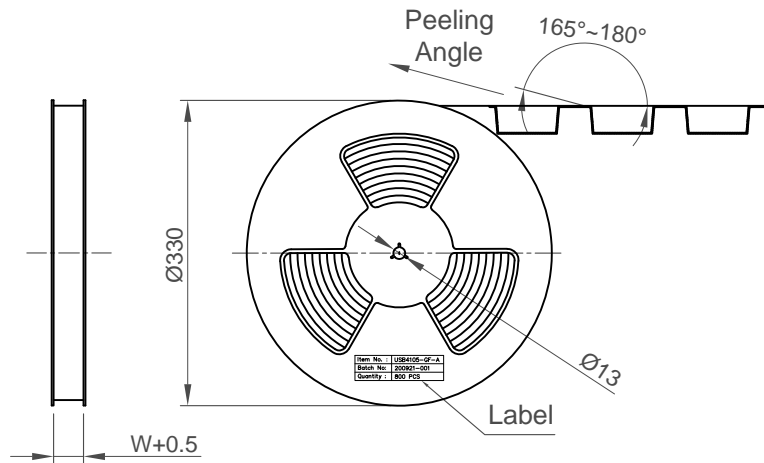
| | | | |
|------------------|----------|-----------------------------------|--|
| Part Number | | Product Description | |
| USB4105 | | USB Type C Receptacle for USB 2.0 | |
| Drawing Date | | SMT Type, PCB Top Mount | |
| 4th October 2019 | | | |
| By | CC | Tolerances (Except as Noted) | Units: |
| Detail | USB4105 | Length | Metric (mm) |
| Revision | B PCN | X. ± 0.38 | This drawing is confidential and copyright of Global Connector Technology, Ltd (GCT). This drawing must not be copied or disclosed without written consent. E & OE |
| Date | 29/04/21 | X.X ± 0.30 | |
| | | X.XXX ± 0.10 | |
| | | Angle | 3rd Angle Projection |
| | | X ± 2° | |
| | | X.X ± 1° | |

GCT
www.gct.co

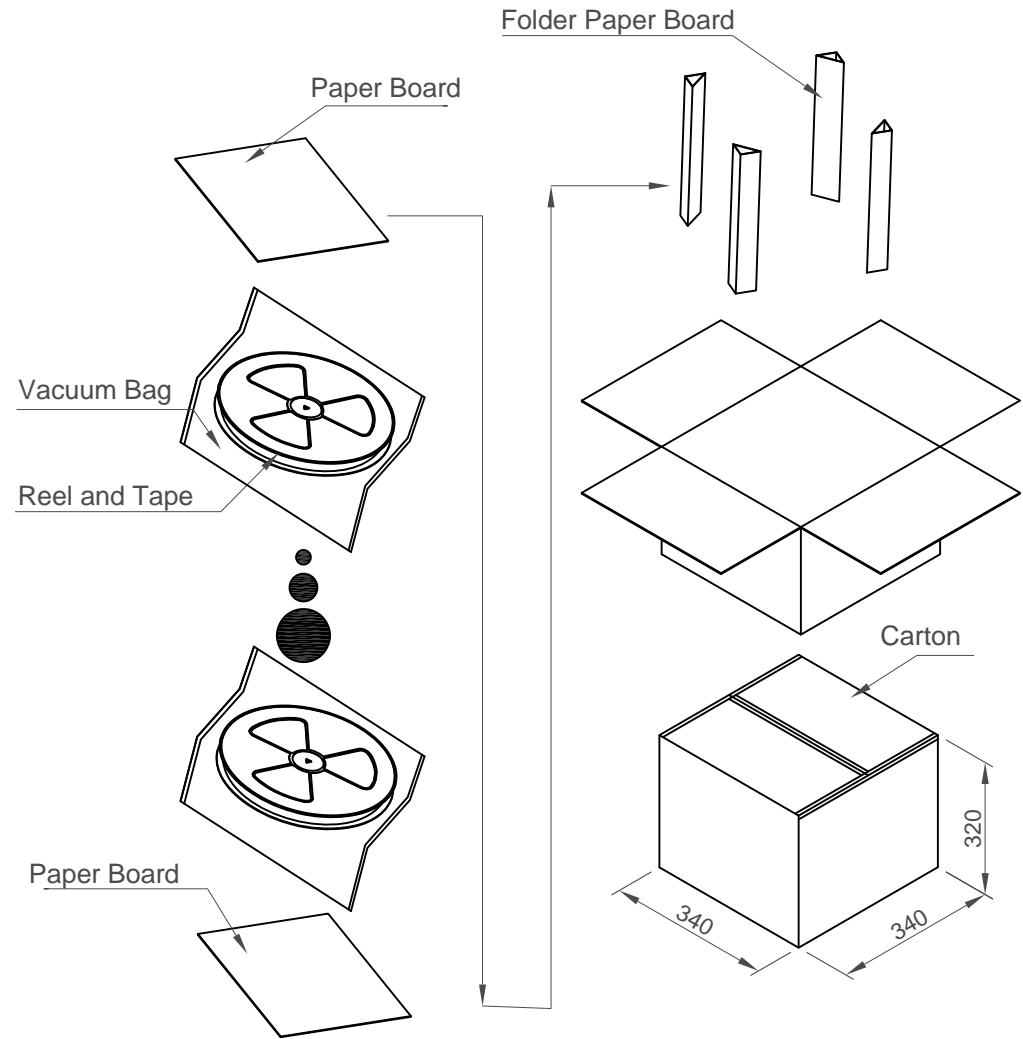
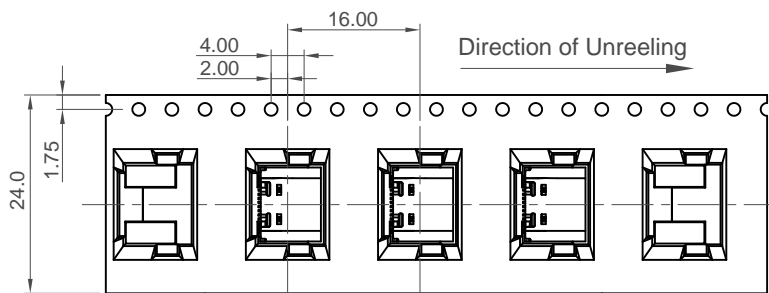
| | | |
|--------------|-------------|---------------|
| Not to Scale | Drawn By CC | Sheet No. 1/2 |
|--------------|-------------|---------------|



Direction of Unreeling →



Item No.: USB4105-GR-A
Batch No.: 201901001
Quantity: 800 PCS



| Pcs / Reel | Reels / Carton | Total Quantity |
|------------|----------------|----------------|
| 800 | 10 | 8000 pcs |

| | | | |
|------------------|------------------|-----------------------------------|-------------|
| Part Number | | Product Description | |
| USB4105 | | USB Type C Receptacle for USB 2.0 | |
| Drawing Date | | SMT Type, PCB Top Mount | |
| 4th October 2019 | | | |
| By | CC | Tolerances (Except as Noted) | Units: |
| Detail | USB4105 B PCN | Length | Metric (mm) |
| Revision | B | Angle | |
| Date | 29/04/21 | | |



This drawing is confidential and copyright of Global Connector Technology, Ltd (GCT). This drawing must not be copied or disclosed without written consent. E & OE



Not to Scale Drawn By CC Sheet No. 2/2