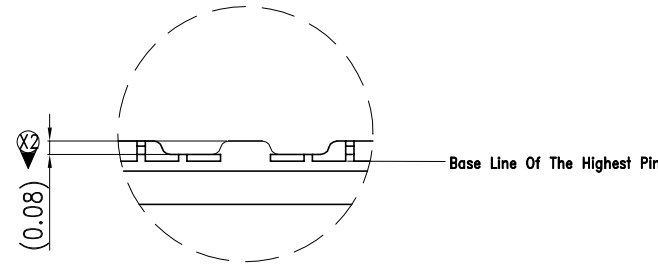
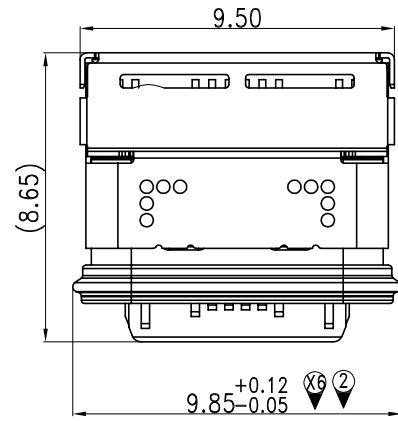


This document is the property of Amphenol Corporation and is delivered on the express condition that it is not to be disclosed, reproduced or used, in whole or in part, for manufacture or sale by anyone other than Amphenol Corporation without its prior consent, & that no right is granted to disclose or to use any information in this document.

CUSTOMER DRAWING

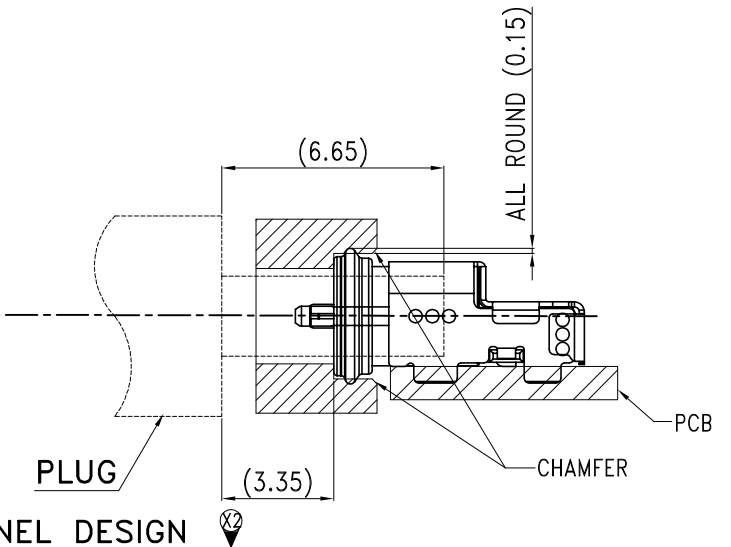
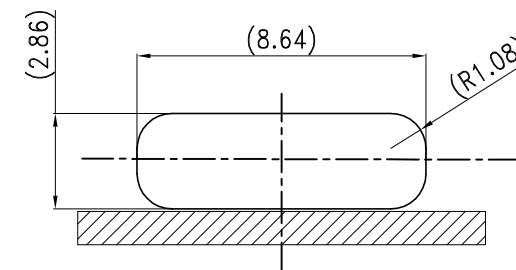
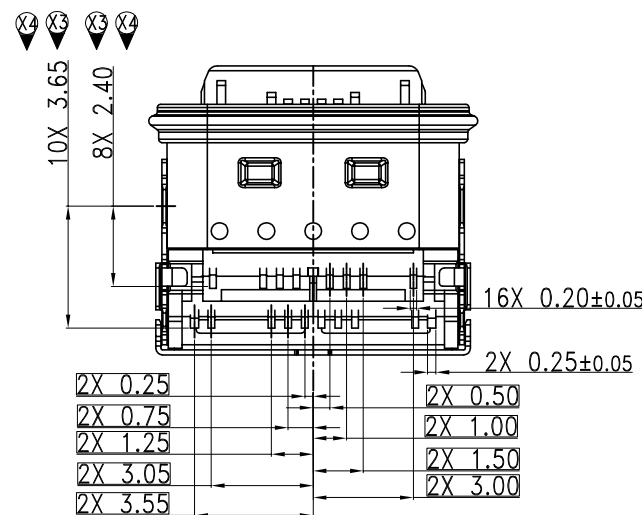
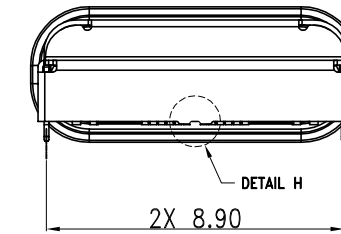
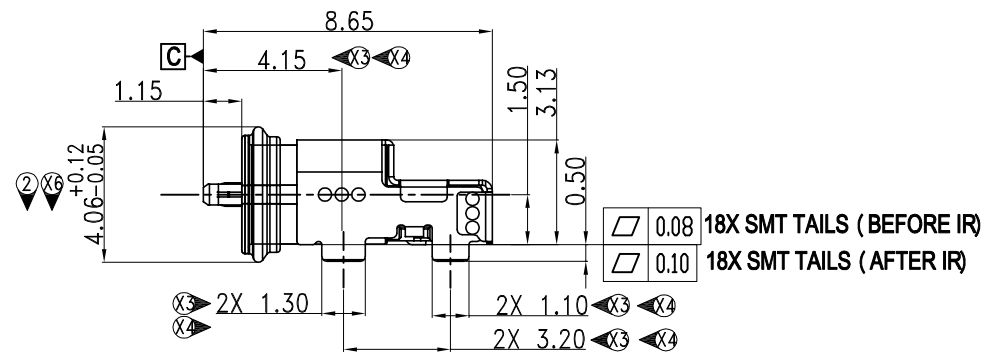
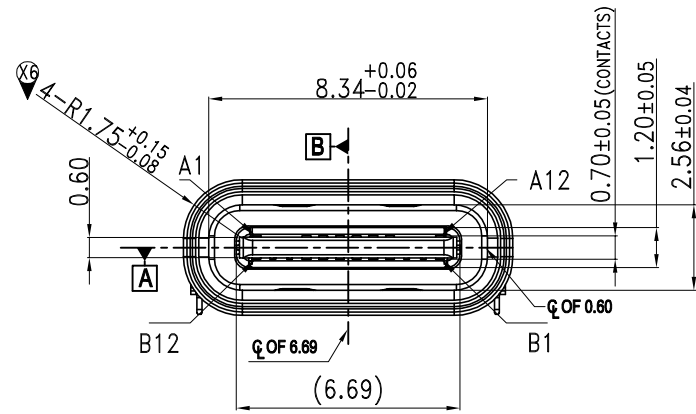
REVISIONS

SYM	ECN	DESCRIPTION	DATE	APPROVED
X3	19XXXXXXX	MODIFY SHELL LEGS	2019/07/18	Tom.Tang
X4	19XXXXXXX	UPDATE SHELL	2019/07/24	Tom.Tang
X5	19XXXXXXX	UPDATE Box/quantity	2019/07/24	Tom.Tang
X6	19XXXXXXX	UPDATE LIM Size	2019/07/24	Tom.Tang
1	20XXXXXXX	UPDATE BOM	2020/03/04	IP
2	HKXXXX	UPDATE LIM SIZE	2020/03/04	IP
3	HKXXXX	UPDATE TITLE	2020/11/17	IP



Detail H (Scale : 5:1)

Pin No	Signal Name	Mating Sequence	Pin No	Signal Name	Mating Sequence
A1	GND	First	B12	GND	First
A4	Vbus	First	B9	Vbus	First
A5	CC1	Second	B8	SBU2	Second
A6	D+	Second	B7	D-	Second
A7	D-	Second	B6	D+	Second
A8	SBU1	Second	B5	CC2	Second
A9	Vbus	First	B4	Vbus	First
A12	GND	First	B1	GND	First
SHELL	GND		SHELL	GND	



UNLESS OTHERWISE SPECIFIED TOLERANCES		APPROVAL		DATE	Amphenol Amphenol East Asia Limited
U.S.	METRIC	DRAWN	Alec.H	01/09/20	
.X	+/-	0.50	CHECKED	Michael.qin	01/09/20
.XX	+/-	0.15	CHECKED		
.XXX	+/-	0.10			
FRACTIONS	+/-				
ANGLES	+/-	3°			
FOR MATERIALS AND FINISHES SEE NOTES		DRAWING FILE :		TITLE	
REMOVE SHARP EDGES		R:\DCI\Engineering\data\RD\工程图客户图		③ USB 2.0, Type C socket connector, R/A ,top mount, Double SMT type, CH=1.50mm, Waterproof IPX8	
DIMENSIONS		ANGLE OF PROJECTION		SIZE	DRAWING NO.
U.S.	INCHES			A3	C 12401977
(METRIC)	(MM)			SCALE	NONE
				SHEET	1 OF 2
				REV.	3

This document is the property of Amphenol Corporation and is delivered on the express condition that it is not to be disclosed, reproduced or used, in whole or in part, for manufacture or sale by anyone other than Amphenol Corporation without its prior consent, & that no right is granted to disclose or to use any information in this document.

CUSTOMER DRAWING

REVISIONS				
SYM	ECN	DESCRIPTION	DATE	APPROVED

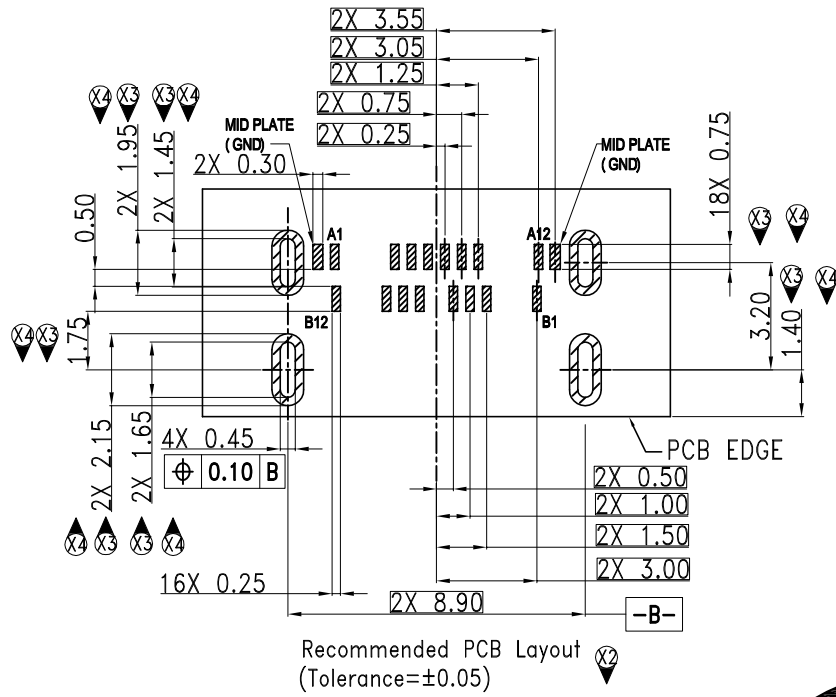
NOTES/注释:

- MATERIAL/材料: SEE TABLE/见下表
- GENERAL SPECIFICATION/通用特性:
 - COPLANARITY /共面度: 0.10 Max.
 - CURRENT RATING: 5A / 额定电流: 5安培
 - CONTACT RESISTANCE: 40mΩ MAX (INITIAL).
INSULATION RESISTANCE: 100MΩ Min
接触电阻: 40毫欧最大(初始值) / 绝缘电阻: 100MΩ Min
 - DIELECTRIC WITHSTANDING VOLTAGE: 100 VAC
耐电压: 100伏交流
 - MECHANICAL CHARACTERISTICS:
INSERTION FORCE: 5~20N EXTRACTION FORCE: 8~20N
AFTER DURABILITY EXTRACTION FORCE: 6~20N
力学特性: 初始插入力: 5~20N 拔出力: 8~20N
耐久后拔出力: 6~20N
 - DURABILITY: 10000 CYCLES / 耐久性: 10000次
 - PACKAGING TYPE: CARRIER TAPE./ 包装类型: 载带包装
- WATERPROOF CLASS IPX8/防水等级 IPX8
- DIMENSIONING SHALL BE INTERPRETED PER ASME Y14.5M 1994.
尺寸标注基于ASME Y14.5M 1994标准规范
- MATERIAL SHOULD BE FULFILLED AMPHENOL SPEC.# S-SN-002, FOR HALOGEN FREE PRODUCTS, ALSO NEED TO MEET S-SN-004.
产品材料环保标准为Amphenol SSN#002,如果是无卤产品需满足标准SSN#004
- ORDER P/N SYSTEM/产品料号编码系统 : 12401977XX12A

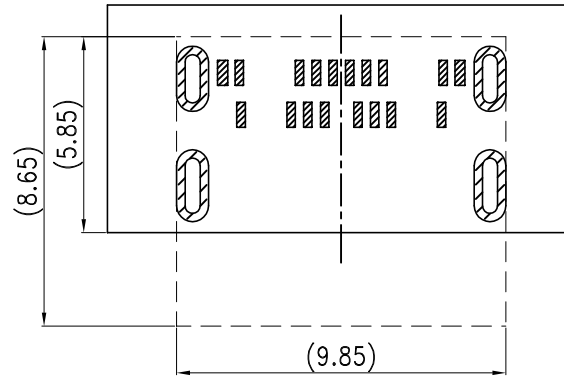
Plating Spec:

21: Mating Area: Au 30u" Min
Solder Area: Gold flash
50u" Min Nickel Under Plating Over All

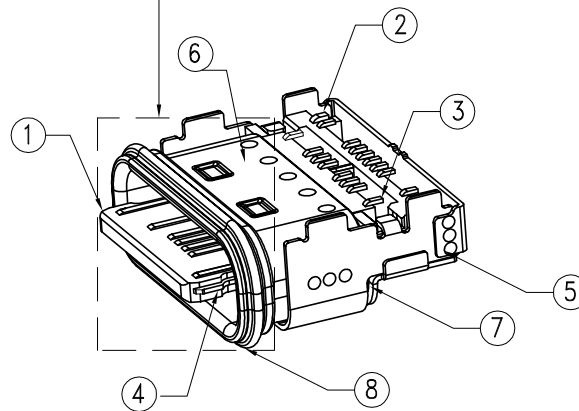
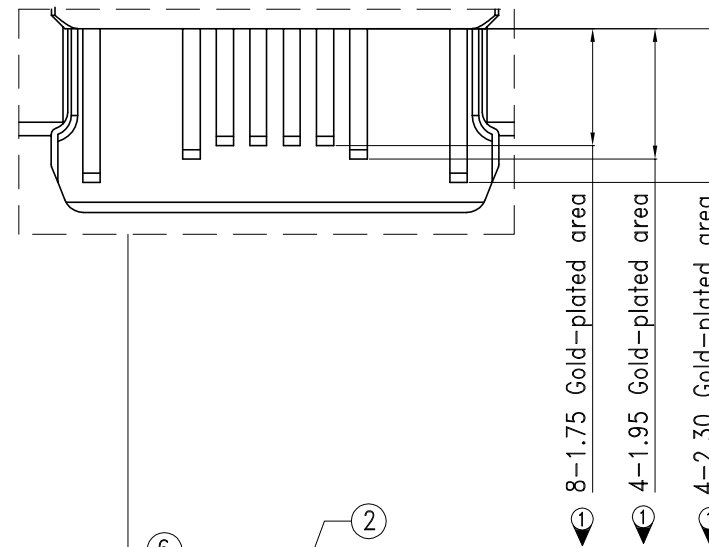
A:HF
Package Spec.
2:Reel
Date Code Description
0:Without D/C
1:With D/C



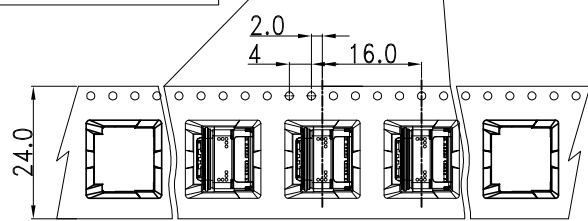
Recommended PCB Layout
(Tolerance=±0.05)



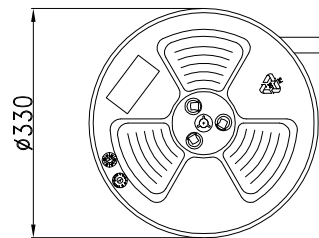
Keep out zone
(Connector mounted layer)



Empty after 20pcs Packaging 800pcs Empty after 20pcs



customer unwinding direction



PACK DIRECTION

PACKING:
1. 800 PCS/REEL.
2. 10 REEL/CARTON.

ITEM	DESCRIPTION	Q'TY	MATERIAL	
8	LIM	1	CHN-LIMS-60-A/B	BLACK
7	SMALL SHELL	1	SUS304-1/2H	CLEANING
6	MAIN SHELL	1	SUS304-1/2H	CLEANING
5	OUTOR SHELL	1	SUS304-1/2H	SOLDER NICKEL: 30" MIN
4	MID PLATE	1	SUS301-H	NICKEL: 30U" MIN
3	BOTTOM TERMINAL	1	NKE012-EH	MATING AREA : Au30u"MIN SOLDER TAIL:gold flash, 50Min NICKEL OVERALL.
2	TOP TERMINAL	1	NKE012-EH	MATING AREA : Au30u"MIN SOLDER TAIL:gold flash, 50Min NICKEL OVERALL.
1	MOLDING HOUSING	1	PA46 HFX31S	UL94V-0 BLACK

BILL OF MATERIAL

UNLESS OTHERWISE SPECIFIED TOLERANCES U.S. METRIC .X +/- 0.50 .XX +/- 0.15 .XXX +/- 0.10 FRACTIONS +/- ANGLES +/- 3'	APPROVAL	DATE	Amphenol Amphenol East Asia Limited TITLE: USB 2.0, Type C socket connector, R/A ,top mount, Double SMT type, CH=1.50mm, Waterproof IPX8 SIZE: A3 DRAWING NO.: C 12401977 REV. 3 SCALE: NONE SHEET 2 OF 2
	DRAWN: Alec.H	01/09/20	
	CHECKED: Michael.qin	01/09/20	
FOR MATERIALS AND FINISHES SEE NOTES	DRAWING FILE : R:\DCI\Engineering\data\RD\I.工程\客户图		
REMOVE SHARP EDGES	ANGLE OF PROJECTION		
DIMENSIONS			
U.S. INCHES			
(METRIC) (MM)			