



Typical Applications/典型应用:

- Home appliances, medical, beauty, massage, adult products

家用电器. 医疗. 美容. 按摩. 成人用品.

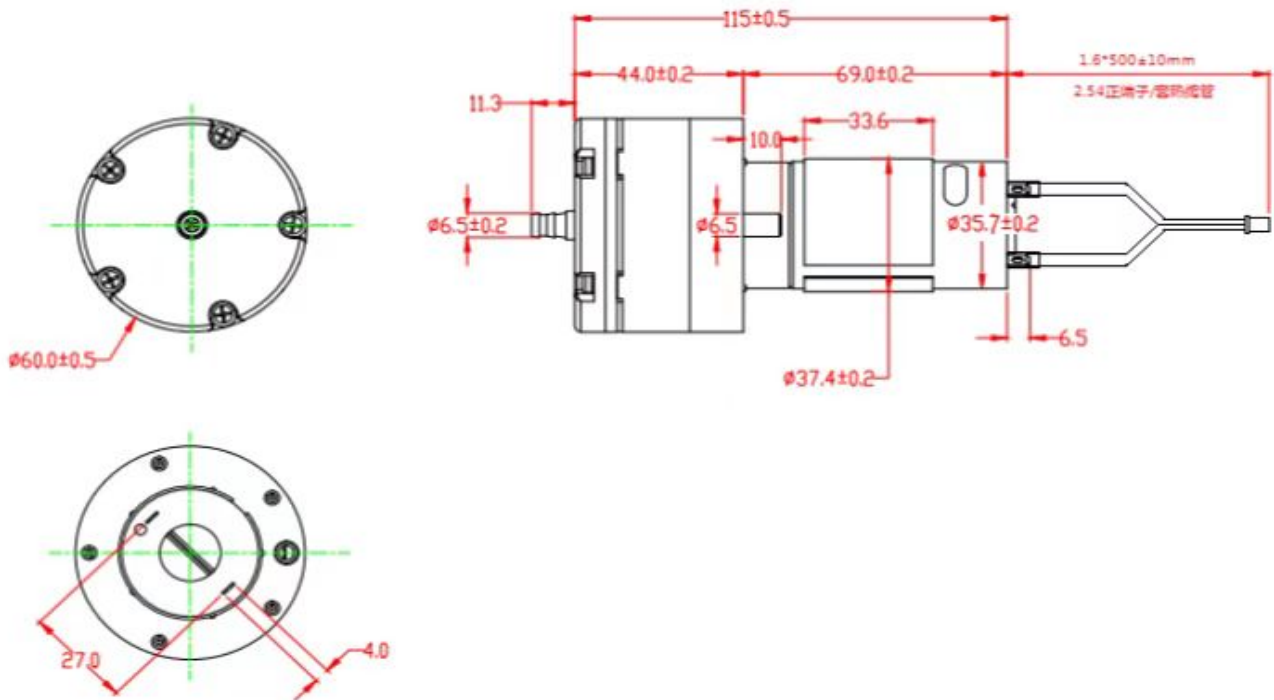
- Medical equipment, Vacuum packaging machine, Massagers.

Booster technology

医疗设备. 真空包装机. 按摩器. 增压技术

外形尺寸 Dimension

UNIT:MILLIMETERS



产品规格 (Product Specifications)

额定电压 Rated Voltage	DC 6V	DC 9V	DC 12V	DC 24V	/
额定电流 Rated Current	≤ 2000 mA	≤ 1300 mA	≤ 1000 mA	≤ 500 mA	/
功率 Power	12 W	7.2 W	12 W	12 W	/
气嘴口径 Air Tap O.D.	$\phi 7.0$ mm				
真空流量 Vacuum Flow (No Load)	10-15 LPM				
最大真空度 Maximum Vacuum	≤ -58 Kpa (-435 mmHg)				
最大正压 Maximum Pressure	≥ 100 Kpa (750 mmHg)				
噪音 Noise Level	≤ 65 db (30cm away)				
寿命测试 Life Test	≥ 500 hours (连续)				
重量 Weight	285g				

* Other parameters: according to customer demand for design/其他参数: 根据客户的需求设计.