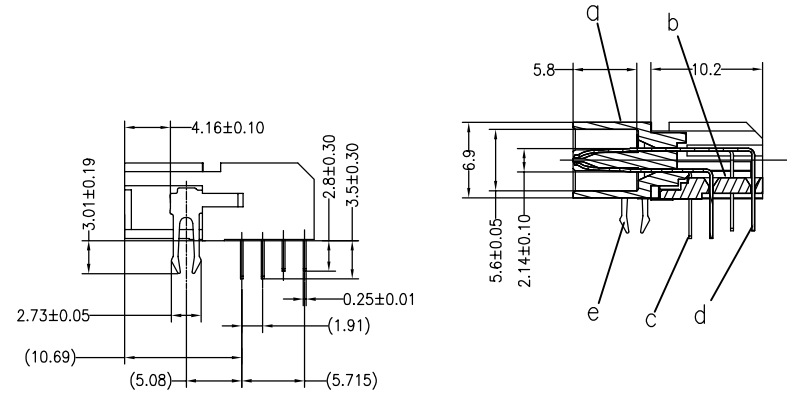
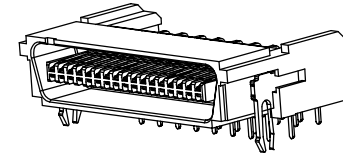
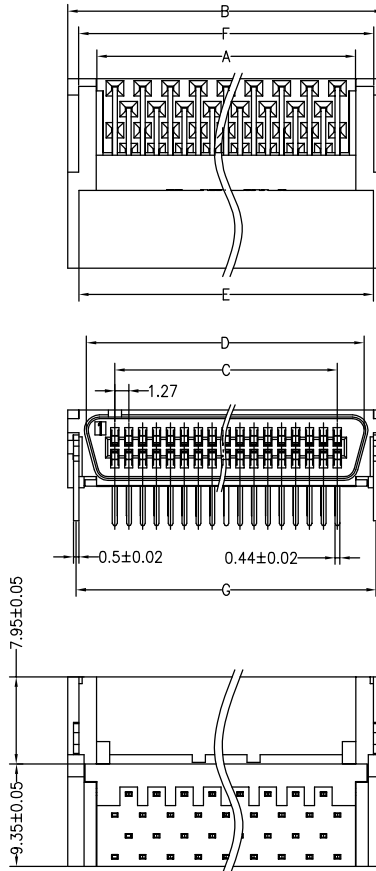
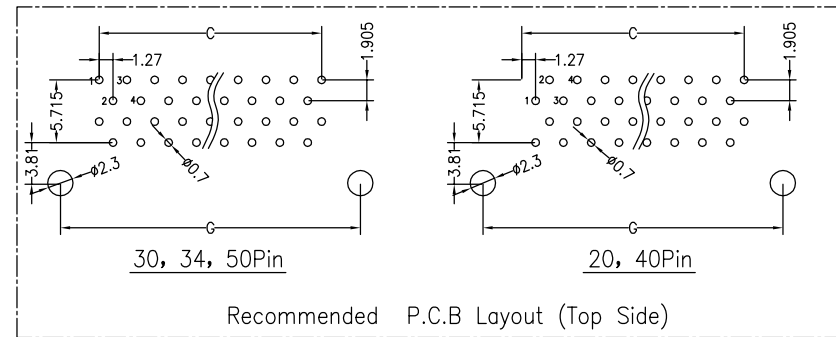


NOTES:

1. Operation Temperature: -40° C to +105° C.
2. Contact Resistance: 50mΩ Max.
3. Insulation Resistance: 1000MΩ Min .
4. Withs tangding voltage: AC 500V.
5. Insulator Material : Polyer (ULV-0).
Standard: PBT Black
6. Contact Material : Phosphor bronze
7. Contact : 3u"Gold/Tin Platig on contact area
80-120u". tin-Lead Plating on soldertails.
30-50u". Nickel underplating over all.
PEG : 80-120u". Tin-lead Plating on soldertails.
30-50u". Nickel underplaiing ovr all.



Contacts Per ROW	Dimensions						
	A	B	C	D	E	F	G
20pin	14.81	20.01	11.43	16.65	18.11	18.06	18.54
30pin	21.16	26.36	17.78	23.00	24.46	24.41	24.89
34pin	23.70	28.90	20.32	25.56	27.00	26.95	27.43
40pin	27.55	32.71	24.13	29.32	30.81	30.76	31.24
50pin	33.86	39.06	30.48	35.67	37.16	37.11	37.59



ITEM	DESCRIPTION	MATERIAL	FINISH
a	Housing	PBT+GF25%	
b	cover	PBT+GF25%	
c	short terminal	C5191-H T=0.25	Ni30-50u", Tin80-120u", Au 3u"
d	long terminal	C5191-H T=0.25	Ni30-50u", Tin80-120u", Au 3u"
e	harpoon	C5191-H T=0.50	Ni30-50u", Tin80-120u",

OPERATION		DRAW	YiYuSheng	20.03.06	SCALE	FIT
X.X	±0.30					
X.XX	±0.20	CHECK			UNIT	mm
X.XXX	±0.10				SIZE	A4
Angle	±3°	APPROVE			SHEET	1/1
DIM	TOL				PROJ.	◆

NINGBO KLS ELECTRONIC CO; LTD		PART NO.	L-KLS1-SCSI-01-20-M-B-W
		TITLE:	SCSI MALE NPIn All-Plastic 90°

AO	DATE	MODIFICATION DESCRIPTION	CHANGE
1	2020.03.06	NEW DRAWING	
REV	DATE	MODIFICATION DESCRIPTION	CHANGE