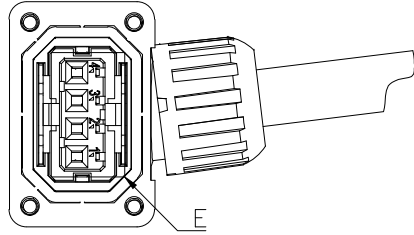


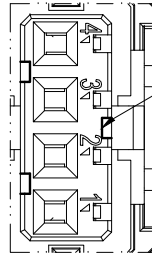
Transfer or duplication of this document as well as the utilization or communication of its contents are prohibited unless explicit authorization is granted. Violations will be liable for compensation. All rights reserved for patent, utility model or designs registrations. 未经许可复制或传播本文件内容，或在本文件内容中复制或传播任何内容，均属于侵权行为，本公司保留追究法律责任。本公司保留所有权利。

Dimensional tolerance(mm)				
0	>30	>60	>100	>150
~30	~60	~100	~150	~150
±0.25	±0.35	±0.55	±0.80	±1.10

额定电压电流/Rated Voltage/Current	250V/7A
绝缘电阻/Insulation resistance	≥100MΩ
耐电压/Withstanding voltage	1500V AC
使用温度范围/Operating temperature(°C)	-20~+105
线材外被/Jacket material	PVC
线材颜色/Jacket color	Orange (or)
线材外径/Jacket diameter (mm)	7.0±0.5
线材循环周期/Cable cycle	5 million
螺钉扭矩/Torque (kgf.cm)	2.04
对插规格/Matching Specification	DGFA4S-A2-00A(H)
防水等级/Levels of protection	IP67
符合RoHS环保要求/Conform to RoHS	YES



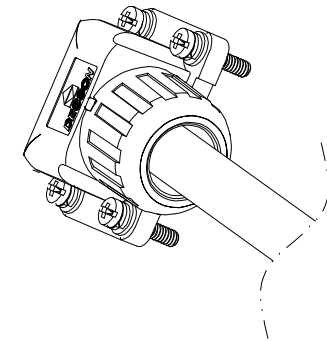
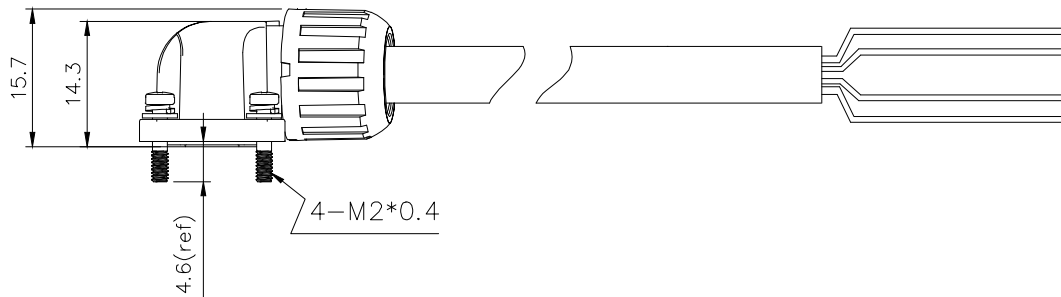
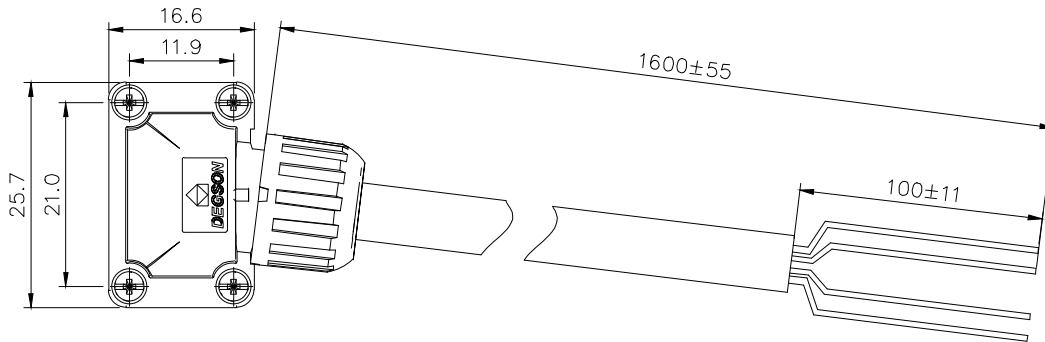
E
2:1



Single card point slot is in line with outlet direction

Cross tabulation:

NO.	Color
1/PE	yellow/green
2	red
3	white
4	black



MATERIAL: /		SURFACE: /	
MAT NO.:		宁波高松电子有限公司 DEGSON® NINGBO DEGSON ELECTRICAL CO., LTD	
STATUS: /			
APPD:			
CHKD:			
DRFT: Gao Q 2022.04.24		NAME: DGFA4S-B1-1600-TRG050 (or)	
DRAWING NO.: XXX		REV: 01	
TYPE: CUSTOMER DRAWING		SCALE: 1:1 SHEET: 1/1	

01	/	The name and cable colour change	GAO Q	2022.05.24
REV	ECN	DESCRIPTION	DRFT	DATE