

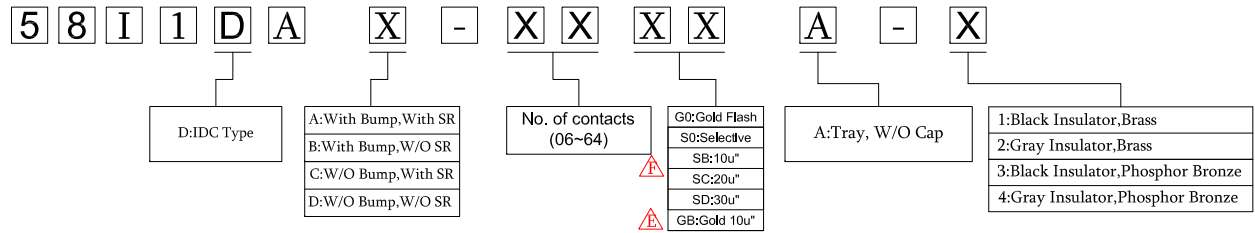
SPECIFICATION

Current Rating: 1 AMP
 Voltage Rating: 250V AC,DC
 Insulation Resistance: 1000MΩ Min.
 Contact Resistance: 20mΩ Max.
 Dielectric Voltage: 500V AC for one minute
 Operation Temperature: -40°C to +105 °C

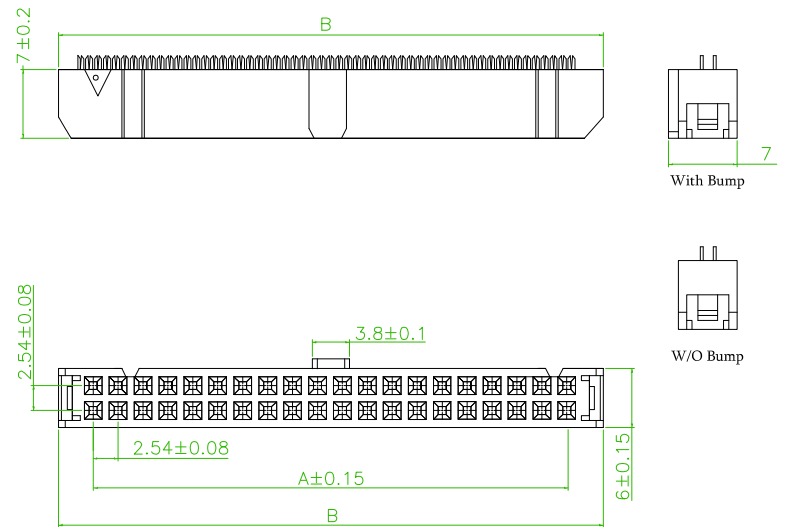
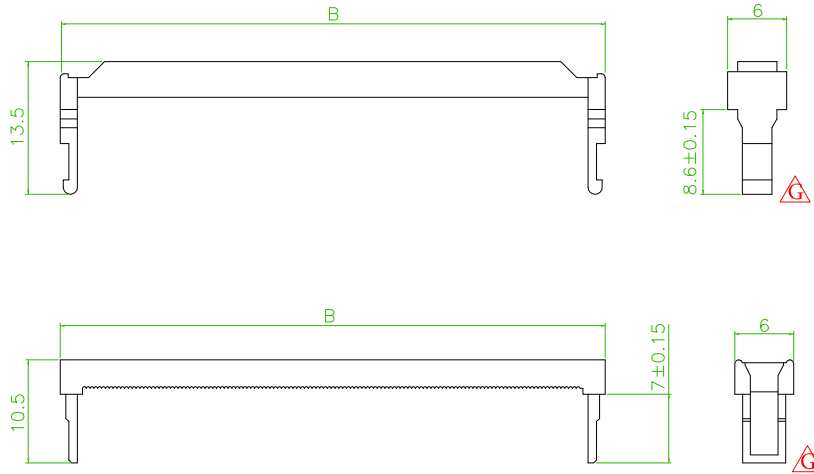
MATERIAL

Insulator: PBT+G.F, UL 94V-0
 Contact Pin: Copper Alloy

ORDER INFORMATION



PIN	Dim. A	Dim. B
6P	5.08	12.32
8P	7.62	14.86
10P	10.16	17.40
12P	12.70	19.94
14P	15.24	22.48
16P	17.78	25.02
18P	20.32	27.56
20P	22.86	30.10
24P	27.94	35.18
26P	30.48	37.72
28P	33.02	40.26
30P	35.56	42.80
34P	40.64	47.88
40P	48.26	55.50
44P	53.34	60.58
50P	60.96	68.20
60P	73.66	80.90
64P	78.74	85.98



Old Part No.:IDC1-XX-L

△x2	Revise the drawing.	Gary	2019/02/11
△x1	Add the Plated:SB:Selective 10u"	Roy	2017/07/20
△x1	Add the Plated:GB:Gold 10u"	Roy	2017/03/20
△x1	Revised the Part No.:58I1DDX-XXXXA-X->58I1DAX-XXXXA-X	Jeff	2016/10/13
REV.	ECN NO. OR DESCRIPTION	REVISED	DATE

糧德精密有限公司
 Amtek Technology Co., Ltd.
 TEL: 886-2-2260-6878
 FAX: 886-2-2260-8030

品名 TITLE	IDC SOCKET 2.54mm			頁數 Page	1/1
品號 PART NO.	△ 58I1DAX-XXXXA-X			繪圖 DRAWN	Roy 2016/05/09
圖號 DRAWING NO.	GN087-RL585	版本 REV.	G	核對 CHECKED	Josh 2019/02/11
客戶品號 CUSTOMER P/N		比例 SCALE	None	承認 APPROVED	Josh 2019/02/11
公差 TOLERANCE	± 0.25	單位 UNIT	mm	THIRD ANGLE PROJECTION	