

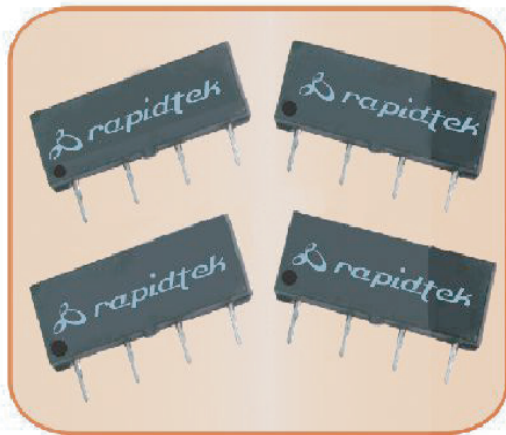
CONTACT FORM 1A,1B
COIL VOLTAGE 5,12,24V

REED RELAY SIP SERIES



E492623

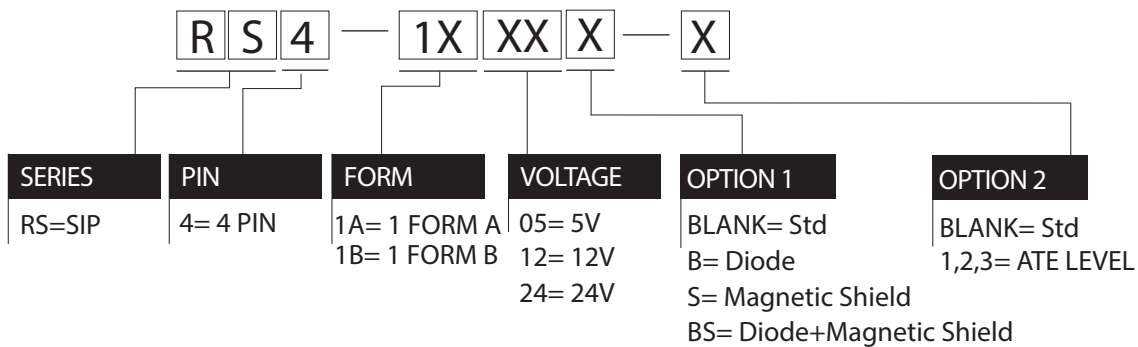
1/3



FEATURE

1. Epoxy molded, single-in-line package
2. Can be immersed during board cleaning operation
3. High density board mounting
4. High isolation between input and output
5. Diode and Magnetic shield are available
6. Standard nominal coil voltage=5, 12 and 24V
7. Can be meet special requirements for coil voltage and/or coil resistance

ORDERING INFORMATION



COIL DATE-STANDARD TYPE 1 FORM A

NOMINAL VOLTAGE (V)	COIL RESISTANCE ($\Omega \pm 10\%$)	NOMINAL INPUT POWER (mW)	MUST OPERATE VOLTAGE (V)	MUST RELEASASE VOLTAGE (V)	MAXIMUM VOLTAGE (V)
5	500	50	3.75	0.6	15
12	1000	144	8.6	1.5	30
24	2000	288	17.5	2.5	40

COIL DATE-STANDARD TYPE 1 FORM B

NOMINAL VOLTAGE (V)	COIL RESISTANCE ($\Omega \pm 10\%$)	NOMINAL INPUT POWER (mW)	MUST OPERATE VOLTAGE (V)	MUST RELEASASE VOLTAGE (V)	MAXIMUM VOLTAGE (V)
5	500	50	3.75	0.6	6
12	1000	144	9	1	14.5
24	2000	288	18	2	29



RAPIDTEK
REED RELAY

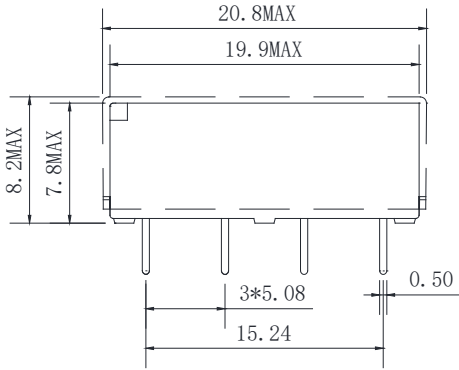
CONTACT SPECIFICATION						
ITEM	SPECIFICATION				UNITS	NOTE
PART NUMBER	RS4	RS4-1	RS4-2	RS4-3		
CONTACT RATING	10	15	10	10	W	
MAXIMUM SWITCHING VOLTAGE	200	200	200	200	V	DC or Peak AC
MAXIMUM SWITCHING CURRENT	0.5	1	0.5	1	A	
MAXIMUM CARRY CURRENT	1.2	1.75	1	1.5	A	
MAXIMUM CONTACT RESISTANCE	100	100	100	100	mΩ	
LIFE EXPECTANCY SIGNAL LEVEL	1x10 ⁸	1x10 ⁹	5x10 ⁷	1x10 ⁹		LOAD(REF,12VDC,10mA)
OPERATING TIME (INCLUDING BOUNCE)	0.5	0.35	0.35	0.35	ms	at nominal VDC,10HZ drive,50% duty cycle with diode suppression
RELEASE TIME	0.2	0.1	0.1	0.1	ms	

ELECTRICAL SPECIFICATION						
ITEM	SPECIFICATION				UNITS	NOTE
PART NUMBER	RS4	RS4-1	RS4-2	RS4-3		
BREAKDOWN VOLTAGE						
COIL TO CONTACTS	1400	1400	1400	1400	VDC	MAX
ACROSS CONTACT	250	275	250	250	VDC	MIN
RESISTANCE						
INSULATION RESISTANCE	10 ¹⁰	10 ¹⁰	10 ¹⁰	10 ¹⁰	Ω	at 100V,25°C,40%RH
CAPACITANCE						
ACROSS OPEN CONTACT	1	1	1	1	pF	
OPEN CONTACT TO COIL	2	2	2	2	pF	
ENVIRONMENTAL TEMPERATURE						
STORAGE	-40 to +105				°C	
OPERATING	-40 to +85				°C	
MECHANICAL						
SHOCK	50				g	11±1ms,1/2sin Wave
VIBRATING	20				g	10 to 2000HZ
SOLDERING						
SOLDERING TEMPERATURE	260				°C	5 sec/MAX

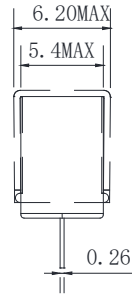


DIMENSION (UNIT : mm)

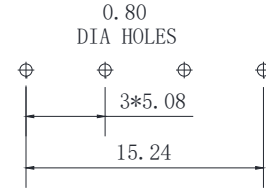
Form A/B and Magnetic shield



Front View



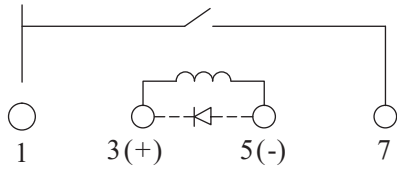
Side View



PCB Hole Layout

WIRING DIAGRAMS (BOTTOM VIEW)

Form A



Form B

