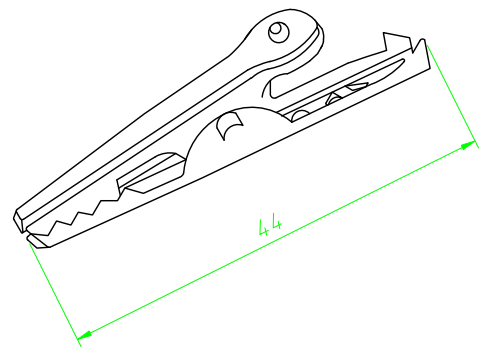
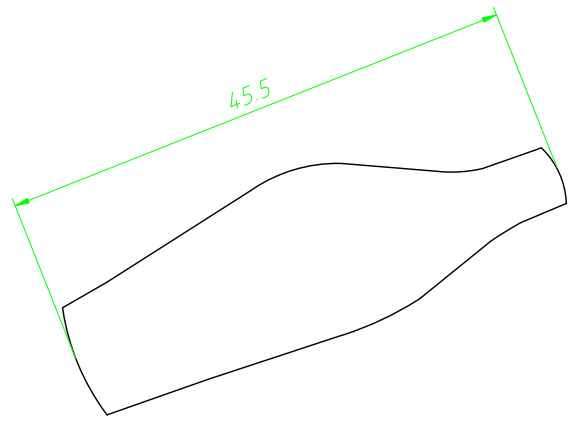
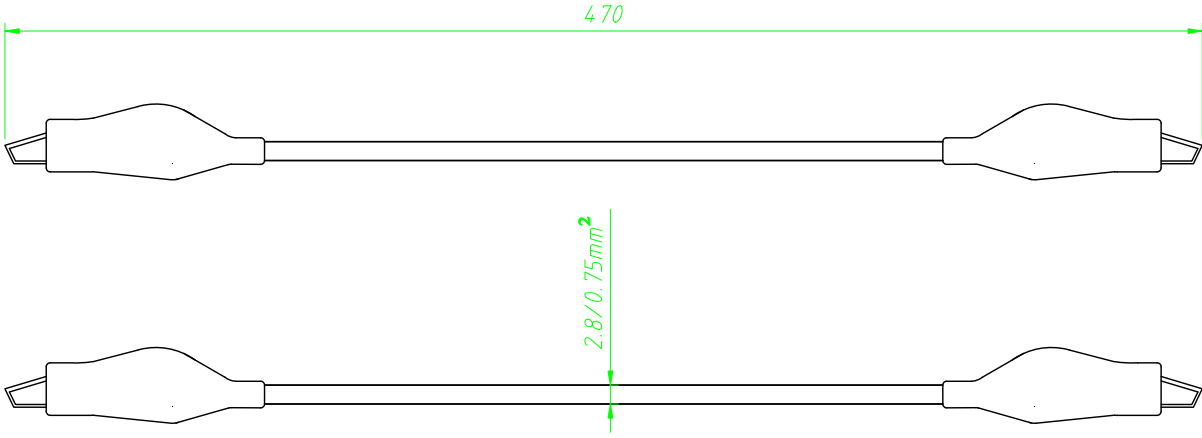





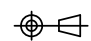



1
RoHS Compliance



Product information

Product name	---	material	Copper
Plastic Case	PVC	Surface	Nicket Plated
Current voltage	30Vac-60Vdc/Max.10A		
Product Color			
			

ANGLE TOLERANCE	PROJECTION	Description:	Alligator clips & crocodile clips	
±3°			10A 44mm Alligator Clips	
GENERAL TOLERANCE	UNITS	mm	KLS P/N: L-KLS5-910-CAB-L470	
x.x ±0.30	SHEET SIZE	A4	 NingBo KLS ELECTRONIC CO.,L TD.	
x.xx ±0.20	Draw:	Daniel		2022-06-28
x.xxx ±0.10	Check:	Daniel		2020-06-28