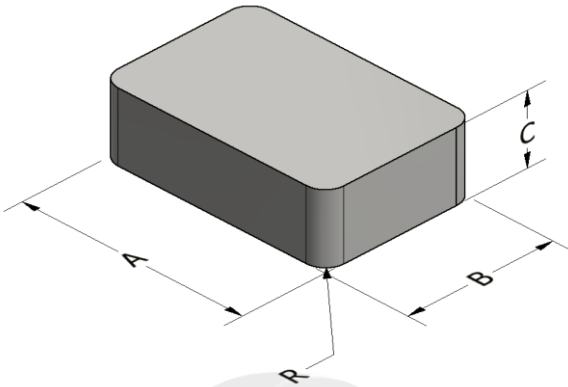




**Part Number:** BMS-0474128-026

Revision 2021-Nov-18 - Generated 2021-Nov-24



<b>A</b>	47.50 ± 0.50 mm	1.870 ± 0.020 in
<b>B</b>	41.00 ± 0.50 mm	1.614 ± 0.020 in
<b>C</b>	27.50 ± 0.50 mm	1.083 ± 0.020 in
<b>R</b>	1.5 ± 0.50 mm	0.059 ± 0.020 in
$\mu_r$ (reference)	26	
<b>Mass</b>	(approximate)	270 grams
<b>Core Loss</b>	$\text{Core Loss (mW/cm}^3\text{)} = \frac{a}{B_{pk}^3} + \frac{b}{B_{pk}^{2.3}} + \frac{c}{B_{pk}^{1.65}} + d \cdot B_{pk}^2 \cdot f^2$	
	where $B_{pk}$ expressed in gauss, $f$ expressed in hertz, and: $a=1.00E+06$ , $b=3.28E+08$ , $c=6.45E+06$ , $d=3.01E-14$	
	$B_{pk}$	500 G
	frequency	100 kHz
	Core Loss (nominal)	308 mW/cm <sup>3</sup>
Core Loss (maximum)	354 mW/cm <sup>3</sup>	
<b>DC Saturation</b>	$\% \mu_i = \frac{1}{a + b \cdot H^c} + d$	
	where H expressed in oersteds, and: $a=0.01$ , $b=1.53E-06$ , $c=1.65$ , $d=0.00$	
	$H_{dc}$	200 Oe
	Percent Initial Perm(nom.)	50.5%
Percent Initial Perm(min.)	43.0%	
<b>Coating/Pkg</b>	Coating Type:	None
	Voltage Breakdown (min.)	N/A
	Limit	N/A
	Package Quantity	60 Pieces/Box

