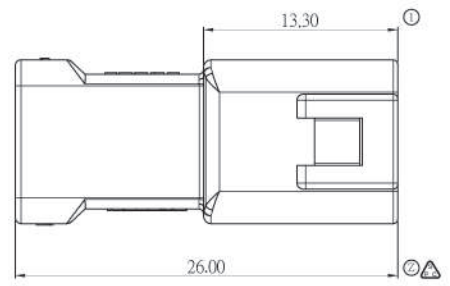
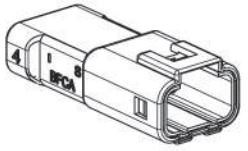


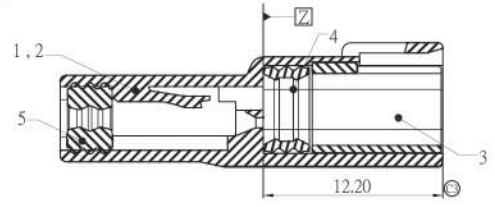
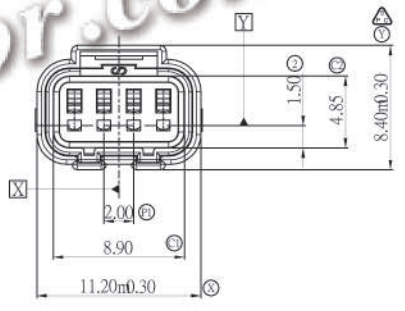
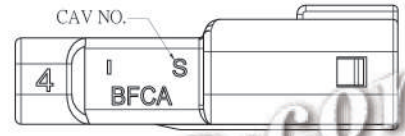
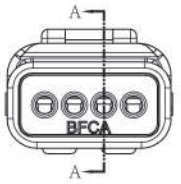
1 2 3 4 5 6 7 8

A
B
C
D
E

修订 Revision						
记号 MARK	版本 REV.	修订内容 DESCRIPTION	变更单 ECN	日期 DATE	绘图 DWN.	核准 APVO.
	1.0	新版 NEW VERSION				



NOTE:
1. AIRTIGHT CONNETOR SPECIFICATIONS CONFORM IPX7.
2. LOCATION OF CIRCUIT NUMBER.



SECTION A-A

www.kinkong-connector.com



RoHS

SEAL	5		---	SILICONE	BLUE	---	---
SEAL	4		---	SILICONE	BLUE	---	---
LOCK	3		---	PBT	ORANGE	---	---
MASTER	2		---	PBT-GF	BLACK	---	---
MASTER	1		---	PBT-GF	WHITE	---	---
F.P.	CKK7041B-0.7-11	2+3+4+5	PBT-GF	BLACK	CKK7041B-0.7-21	CKK005-0.7MN	
	CKK7041D-0.7-11	1+3+4+5	PBT-GF	WHITE	CKK7041D-0.7-21		
类别 Type	NO.	产品编号 Part Number	构成零件 Composeparts	材质 Material	颜色 Color	对手件 Counter P/No.	配合端子 Applicable Ter.

材料 MATERIAL	SEE TABLE					AUTO CAD
表面处理 FINISH	SEE TABLE					
核发单位 ISSUED BY	制定单位 INSTITUTED BY	核准 APPROVED BY	审核 CONFIRMED BY	制定 DRAWN BY	绘图 DRAWER	

一般公差 Tolerances unless other specified	<10.0 : ±0.20 >10.0 : ±0.30 >50.0 : ±0.55 >100.0 : ±0.95 >250.0 : ±1.40 ANGLE : ±30'
图纸 size : A3	单位 Unit : mm

乐清市千工电器有限公司			
型号 : CKK7041B-0.7-11 CKK7041D-0.7-11			
比例 Scale : 3:1	页数 Sheet : 1/1	CODE : S21	

1 2 3 4 5 6 7 8