

# PZ-32



## Multi-purpose Extraction Tool for Stubborn Fasteners... Black Finish!

- Vertical serrations bite and grip a screw head without slippage.
- Inter-meshed side teeth even hold a very thin plate securely, no slippage!  
Equipped with a side cutter
- Black oxide finish to increase rust-resistance!
- Awarded design

### Features



Advanced design of vertical serrations



Guard: Black oxide finish, rust-resistant



Bite: Inter-meshed, never let go.



Grip: No slippage, even on a low-profiled screw head



Cut: Lengthy blades



Trust: Strap hole goes through the steel handle.

## Applications



Stripped

Rusted

Torx

Dome Head

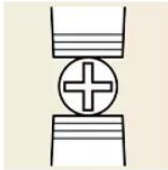
## Screw Head Size



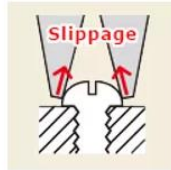
Dome (Truss) Head  
Round or Pan Head  
Screw head: dia. 3 to 9.5mm

## How does PZ-32 work?

### Ordinary Pliers

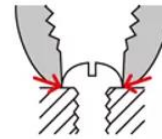


Ordinary pliers jaws are lined with horizontal serrations. When you grasp and turn a screw head with ordinary pliers, the jaws slip and the screw remains stuck.



The tips of jaws can not reach the outer edge of screw head when the jaws are opened.

### PZ-32



Specially-designed teeth generate gripping power.



The serrated jaws angled inward grab the rim of screw head, so no slippage.

## Why does PZ-32 have Inter-meshed Teeth?

### 【Benefit of Inter-meshed teeth】

The side jaws of PZ-32 are specially designed to have 'crests' and 'troughs' that inter-mesh with each other.

So, when the rearmost cutting blades fully meet, the gripping jaws inter-mesh enough to hold extremely-thin plates very securely as well as thicker materials. Every peak of serrated teeth can bite into the material (as per the red markings on the right-hand figure). This is a major benefit over traditional pliers.



## Note

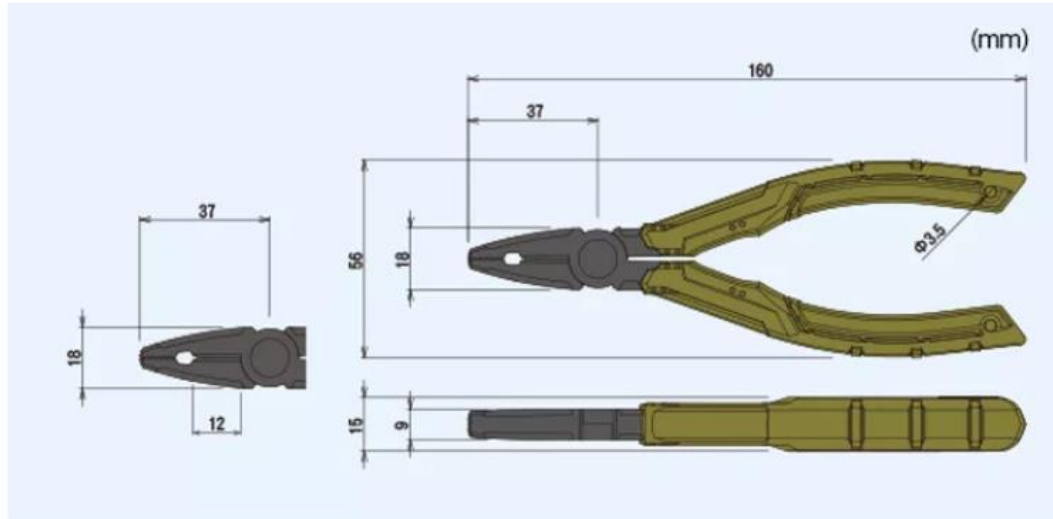


- 1) The tool may not remove specially-hardened, heat-treated or glued screws.
- 2) Be sure to apply this tool to a screw head, but not to screw thread.

## Related Products



Pliers Mask for PZ-32  
(PZM-30)



Model	Size	Material	Hardness	Screw Head Size	Cutting Capacity	Weight	Safety Hole
PZ-32	160mm	Body: Carbon Steel Handles: TPR	HRC60±2	dia. 3 to 9.5mm	dia. 1.2mm	125g	dia. 3.5mm