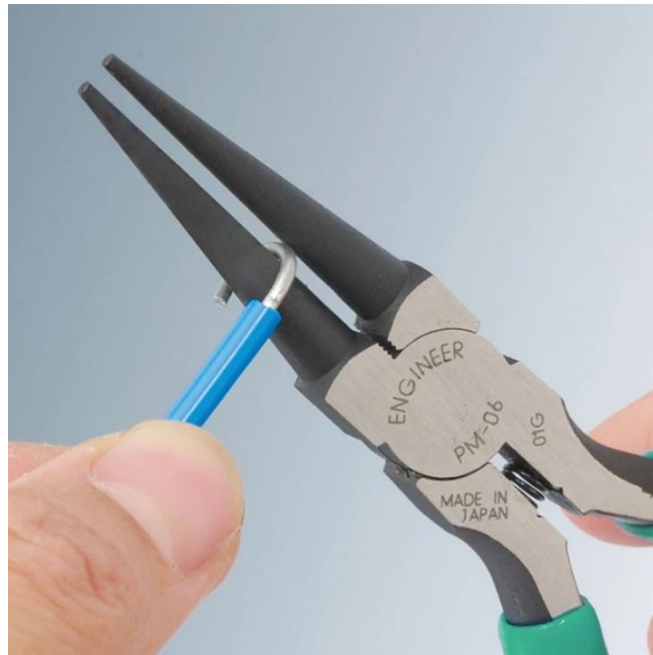
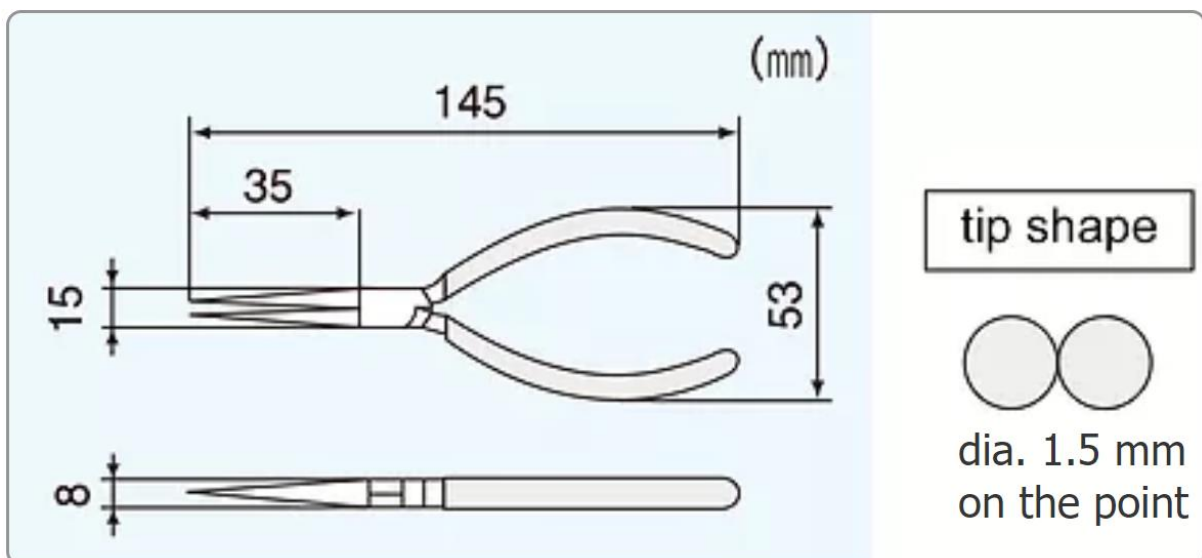


PM-06



- Material : High carbon steel
- with coiled spring



Item no.	Size	Material
PM-06	150mm	SCM440H