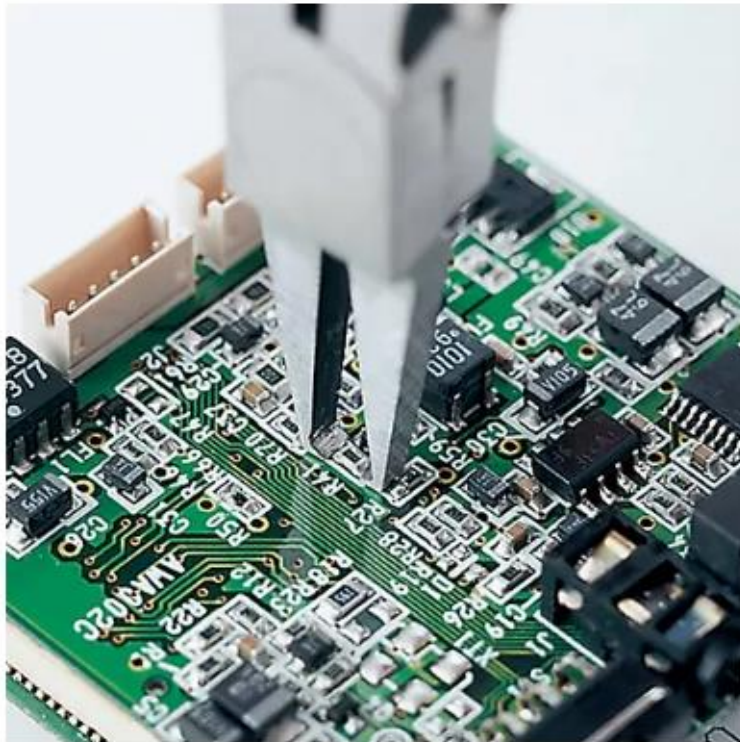


## NZ-03

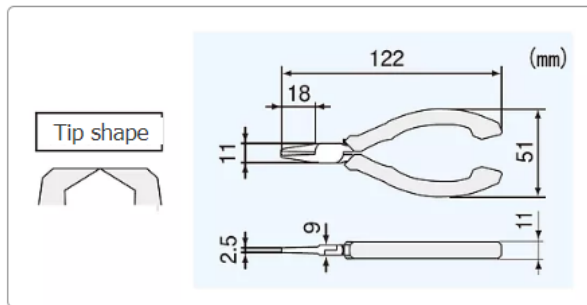


### NZ-03

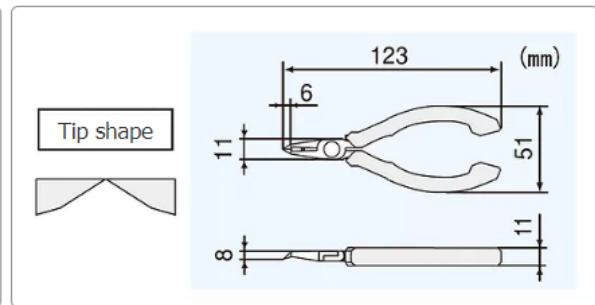
Right-angled blades, ideal for cutting a tiny chip parts and a resistance on a dense PCB while holding the nippers vertically to the workpiece.

## Static dissipative mat, maintains an ESD-safe working place

- Static dissipative, anti-fatigue rubber mat which provides cushioning comfort
- Green colored mat which is gentle for human's eyes
- Easy to cut according to the size required for floor or bench



**NZ-03**



**NZ-05**

Item no.	Size	Material	Hardness	Cutting Capacity	Applications
NZ-03	122mm	S58C	HRC58±4	dia. 0.6mm (Copper Wire)	Removal of chip resistance, IC, etc. on SMD
NZ-05	123mm				Leads of dual In-Line package or single In-Line package IC on SMD