

NP-03 / NP-04 Plastic Nippers

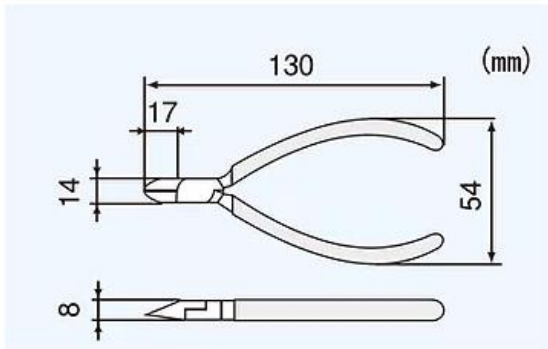


NP-03 / NP-04

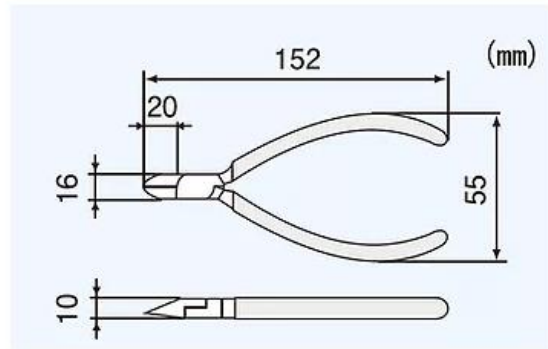
- Ideal for cutting plastic mold gate and burns
- Full flush cut to make the cut surface flat
- With opening angle adjuster and coiled spring



Tip Shape : NP-03/NP-04
with Opening angle adjuster



NP-03



NP-04

Item no.	Size	Material	Hardness
NP-03	130mm	S58C	HRC58±4
NP-04	152mm		