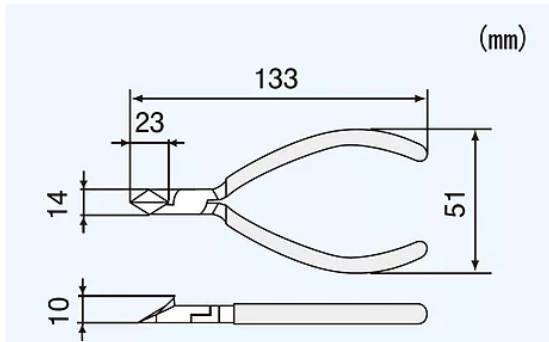


# NN-45 / NN-46 / NN-56 Slant Edge Nippers

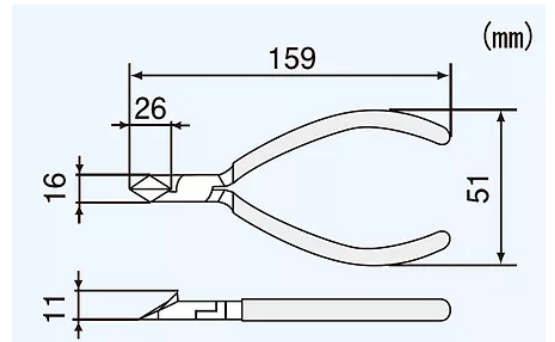


## Professional type for sharp and durable diagonal blade

- Can place the diagonal edges in line with the flat face of a workpiece.
- Helpful to split an insulated cable into two.
- Material : High carbon steel
- NN-45 and NN-46 with stripping holes ( $\phi 1.2$  and  $\phi 1.6$  mm)
- NN-56 has plane edges without stripping hole



**NN-45**



**NN-46 / NN-56**

| Item no. | Size  | Material | Hardness | Stripping Holes  | Cutting Capacity            |
|----------|-------|----------|----------|------------------|-----------------------------|
| NN-45    | 133mm | S58C     | HRC58±4  | dia. 1.2 & 1.6mm | dia. 2.0mm<br>(Copper Wire) |
| NN-46    | 159mm |          |          |                  | dia. 2.6mm<br>(Copper Wire) |
| NN-56    | 159mm |          |          | -                |                             |